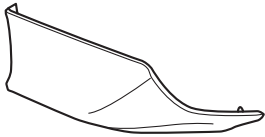


## PARTS LIST

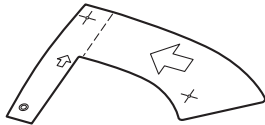
Right rear under spoiler



Left rear under spoiler



Template



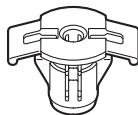
Right template



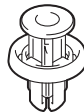
Left template



4 Clips A



2 Clips B



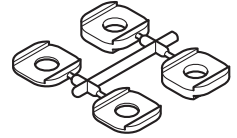
4 Self-tapping screws



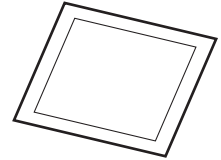
4 Spring nuts



Spacer  
(May not be used)



2 Alcohol swabs



## TOOLS AND SUPPLIES REQUIRED

Phillips screwdriver

Drill

3 mm, 6 mm, 8 mm, 10 mm, and 12 mm Drill bits

Eye protection (face shield, safety goggles, etc.)

File

Pushpin

Scissors

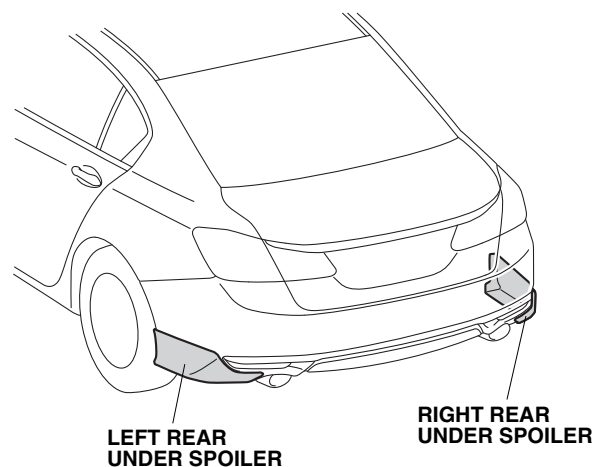
Masking tape

Diagonal cutters

*The following tool is available through the Honda Tool and Equipment Program. On the iN, click on: Service > Service Bay > Tool and Equipment Program, then enter the number under "Search". Or, call 888-424-6857.*

- Rubber Roller (T/N MHLE54D)

## Illustration of the Rear Under Spoilers on the Vehicle



QE22611AA

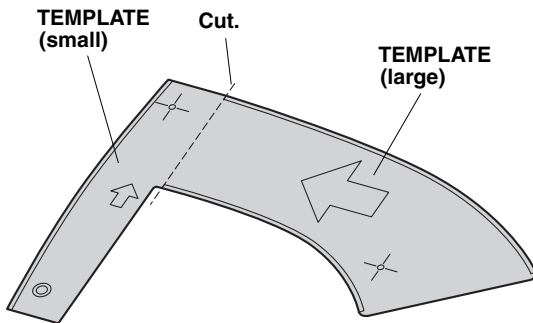
## INSTALLATION

**Customer Information:** The information in this installation instruction is intended for use only by skilled technicians who have the proper tools, equipment, and training to correctly and safely add equipment to your vehicle. These procedures should not be attempted by “do-it-yourselfers.”

### NOTE:

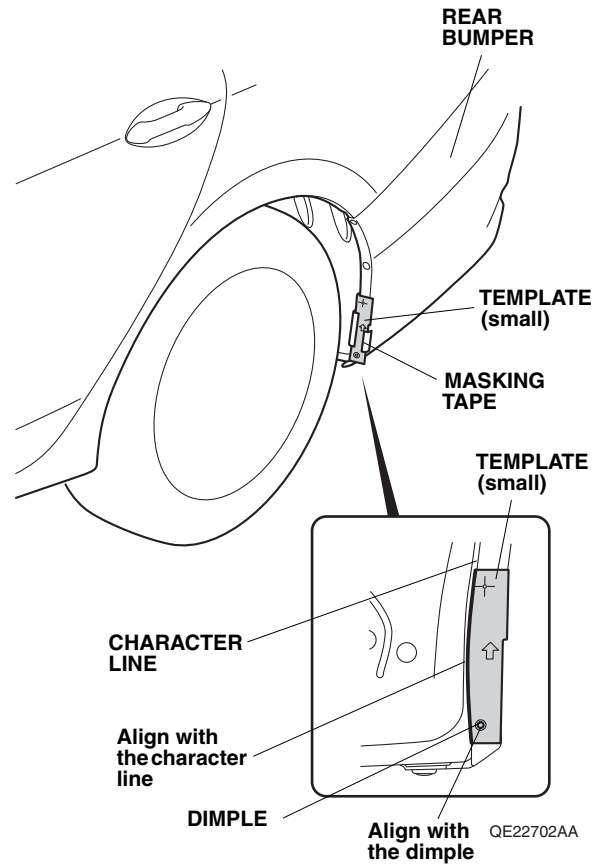
- Do not damage the paint finish.
- This kit should be installed only if the ambient air temperature is 15° C (60° F) or above.
- Clean the areas to be covered.
- To allow the adhesive to cure, do not wash the vehicle for 24 hours. Please advise the customer.

1. Cut the template.

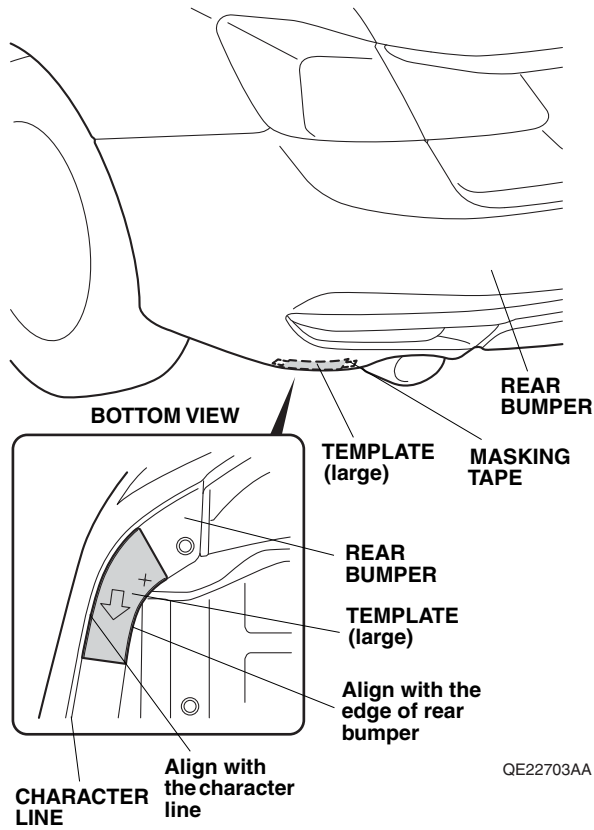


QE22701AA

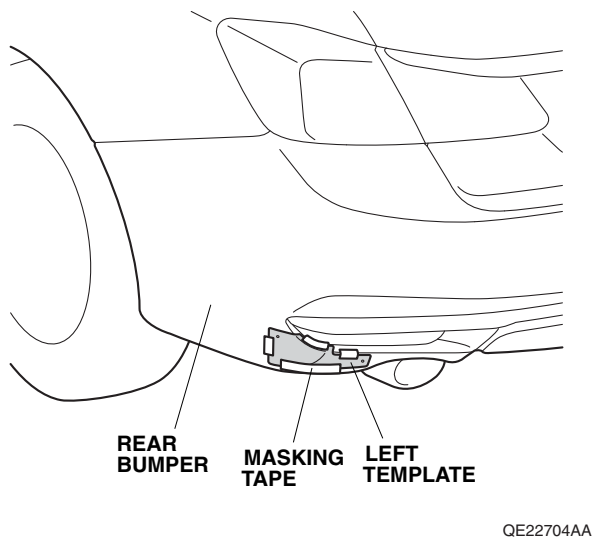
2. Align the template (small) with the character line of the rear bumper and dimple. Attach the template (small) to the rear bumper with masking tape as shown.



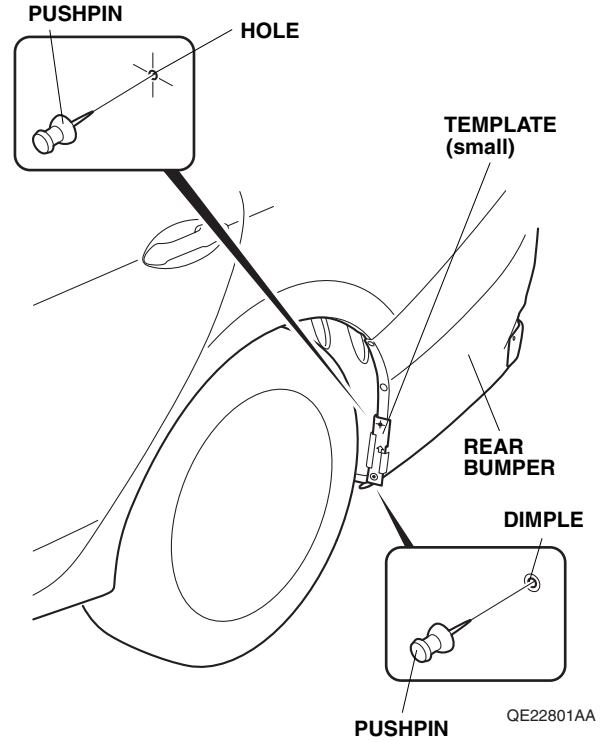
- Align the template (large) with the character line of the rear bumper and edge of rear bumper. Attach the template (large) to the rear bumper with masking tape as shown.



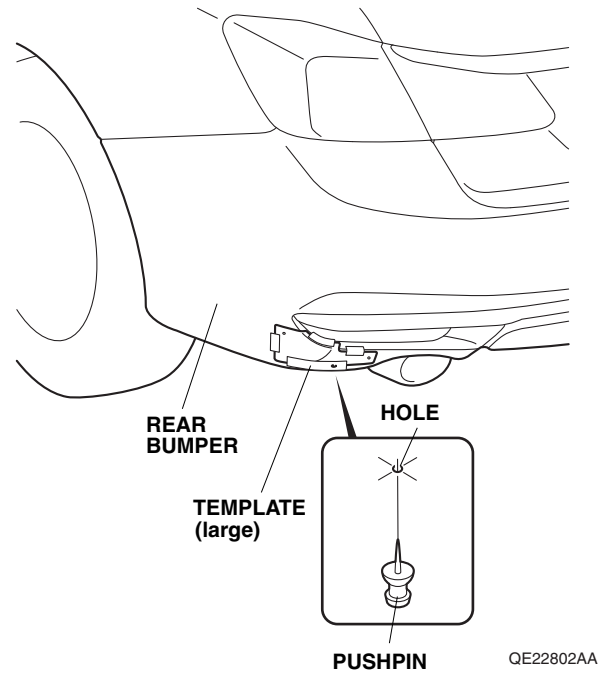
- Place the left template on the rear bumper in the area shown, and attach it with masking tape.



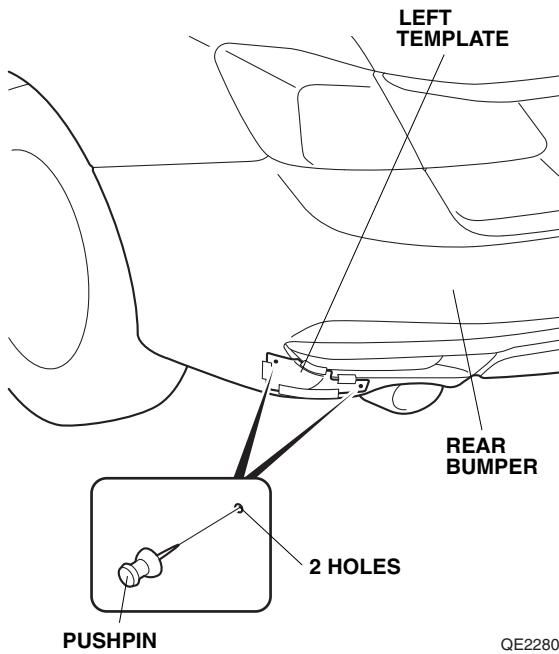
- Using a pushpin, pierce the rear bumper through the hole in the template and dimple. Remove the template.



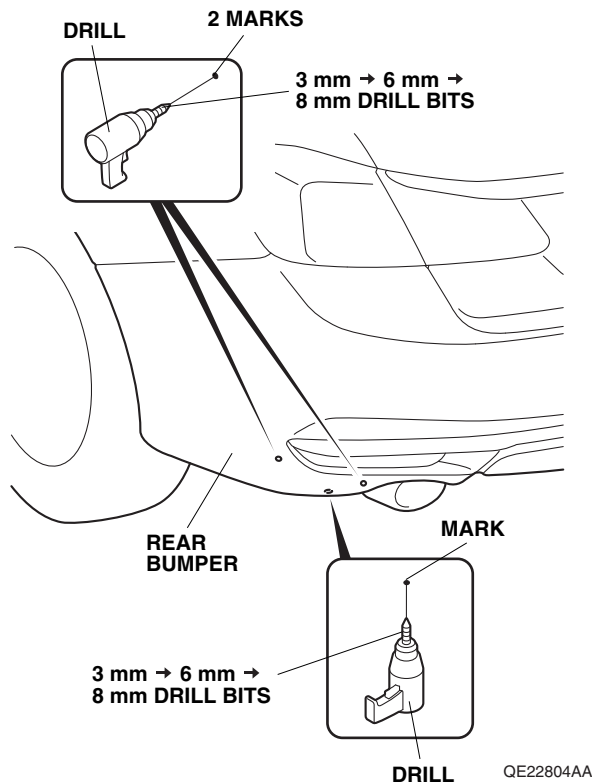
- Using a pushpin, pierce the rear bumper through the hole in the template. Remove the template.



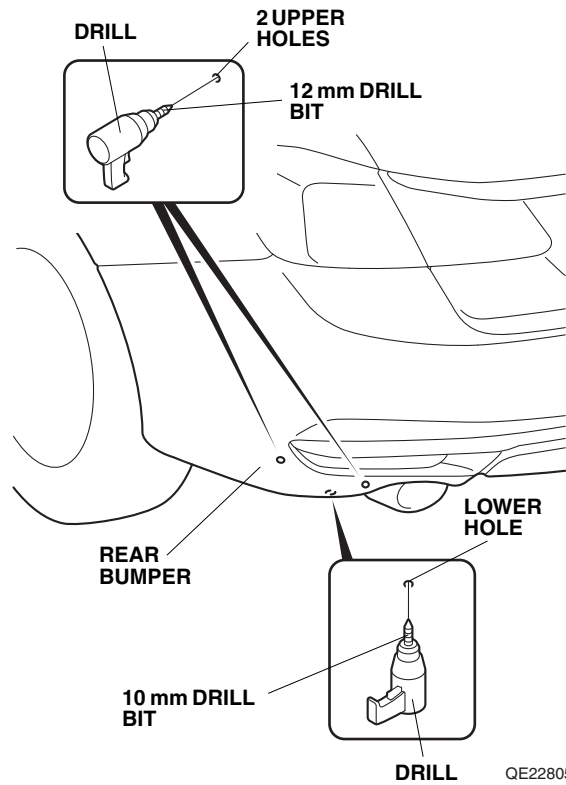
- Using a pushpin, pierce the rear bumper through the two holes in the left template. Remove the left template.



- While wearing eye protection, drill the three pierced marks to 8 mm. First drill with a 3 mm drill bit, and then with a 6 mm drill bit, next with an 8 mm drill bit.

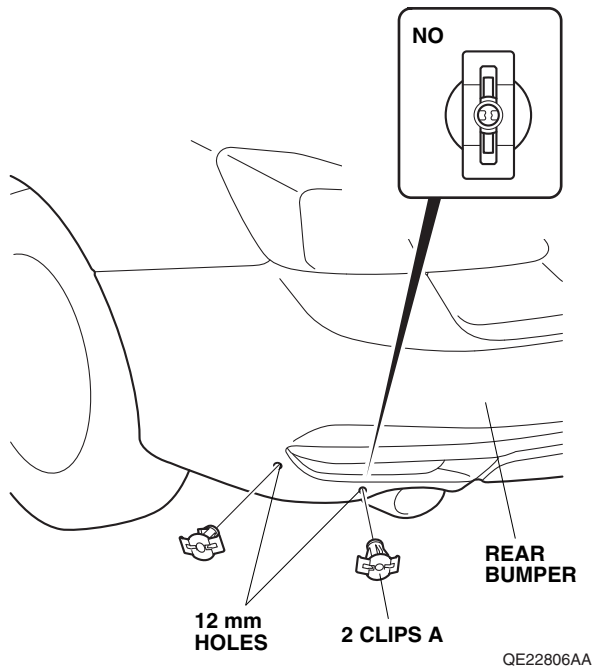


- Enlarge the two upper holes to 12 mm using a 12 mm drill bit. Remove any burrs.

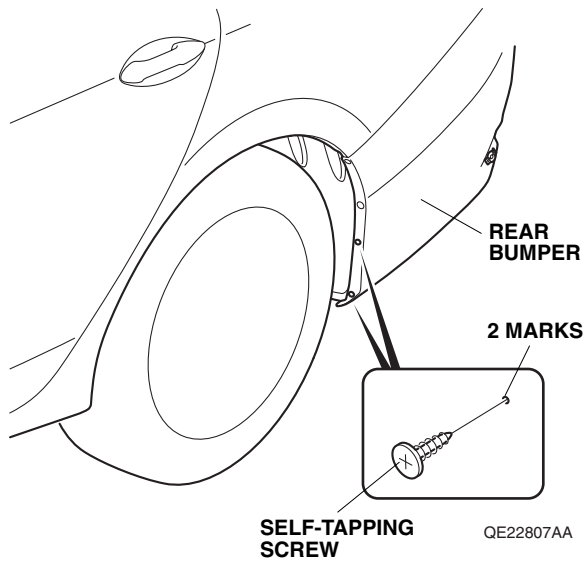


- Enlarge the lower hole to 10 mm using a 10 mm drill bit. Remove any burrs.

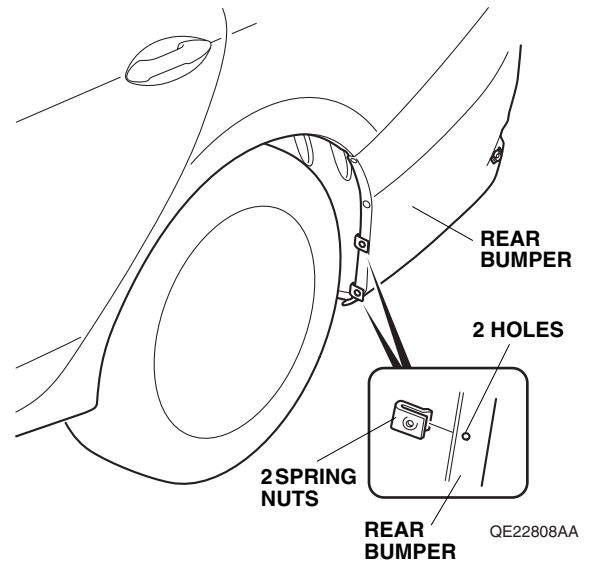
11. Install one clip A into each 12 mm hole. Push in on each clip A until you hear a click, then check to make sure they are secured in the rear bumper.



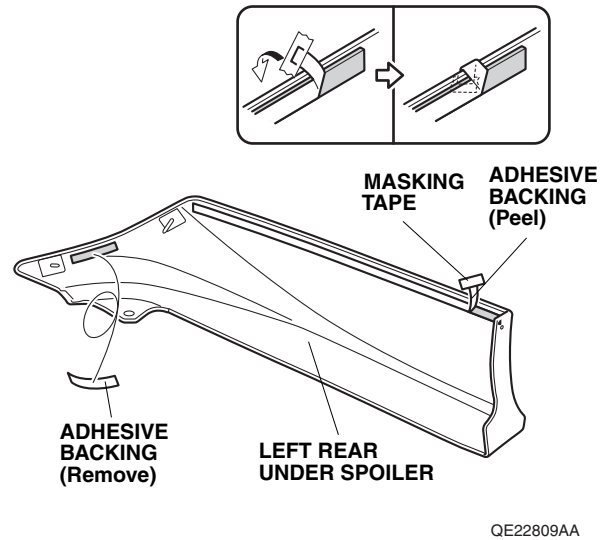
12. Thread a self-tapping screw into each pierced mark to make two holes in the rear bumper. Remove the self-tapping screw.



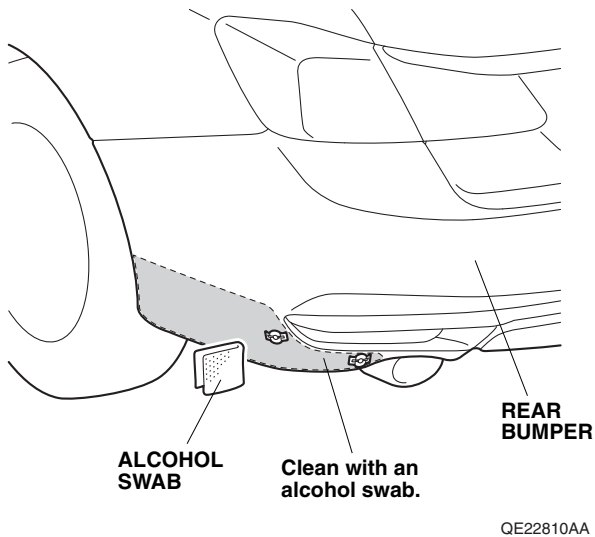
13. Install one spring nut over the each hole in the rear bumper in the direction shown.



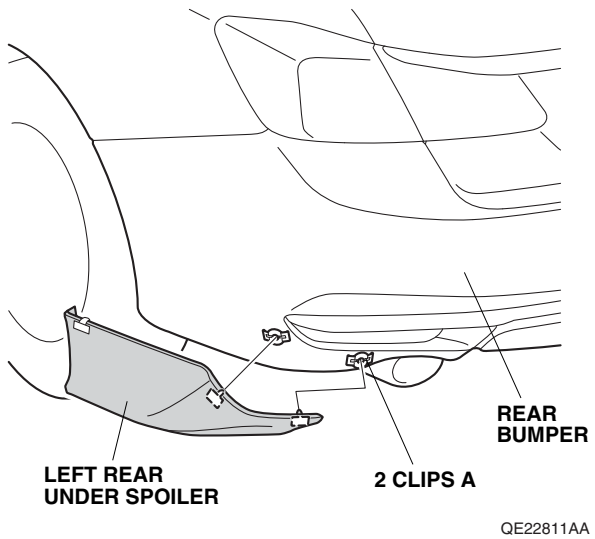
14. Peel back the adhesive backing, and tape it to the front surface of the left rear under spoiler with masking tape. Remove the other adhesive backing.



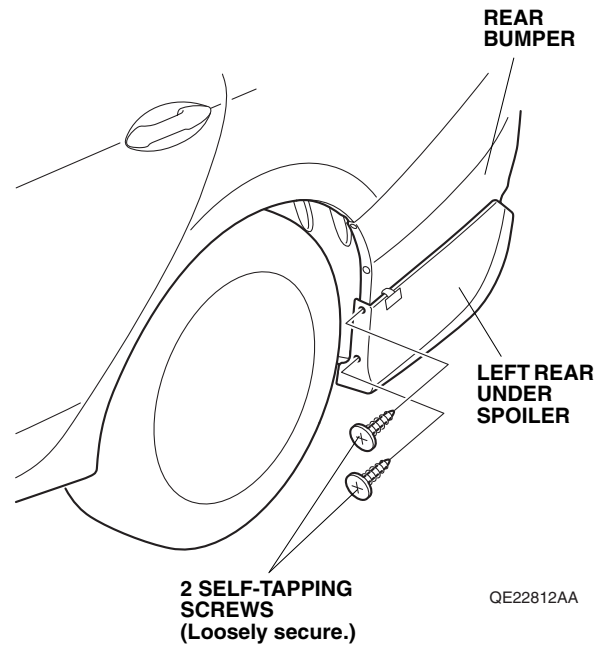
15. Using one alcohol swab, thoroughly clean the rear bumper where the left rear under spoiler will attach.



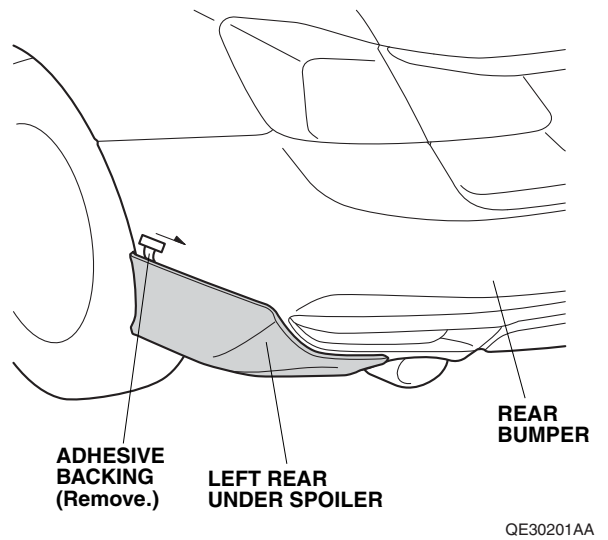
16. Install the left rear under spoiler to the two clips A on the rear bumper.



17. Loosely secure the left rear under spoiler to the rear bumper with two self-tapping screws.

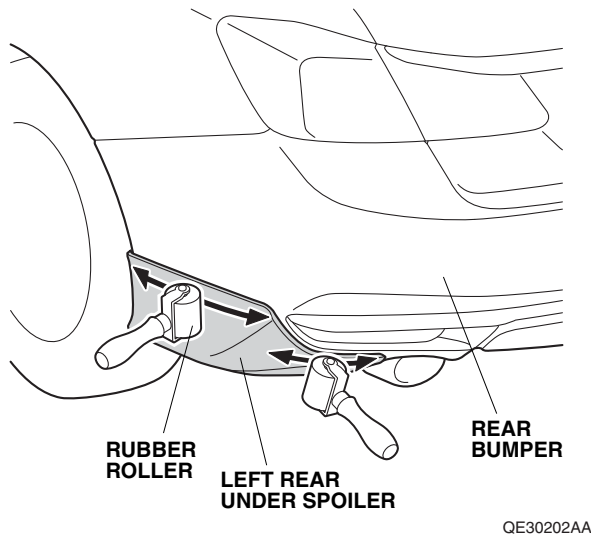


18. While applying light pressure against the left rear under spoiler, carefully remove the adhesive backing.

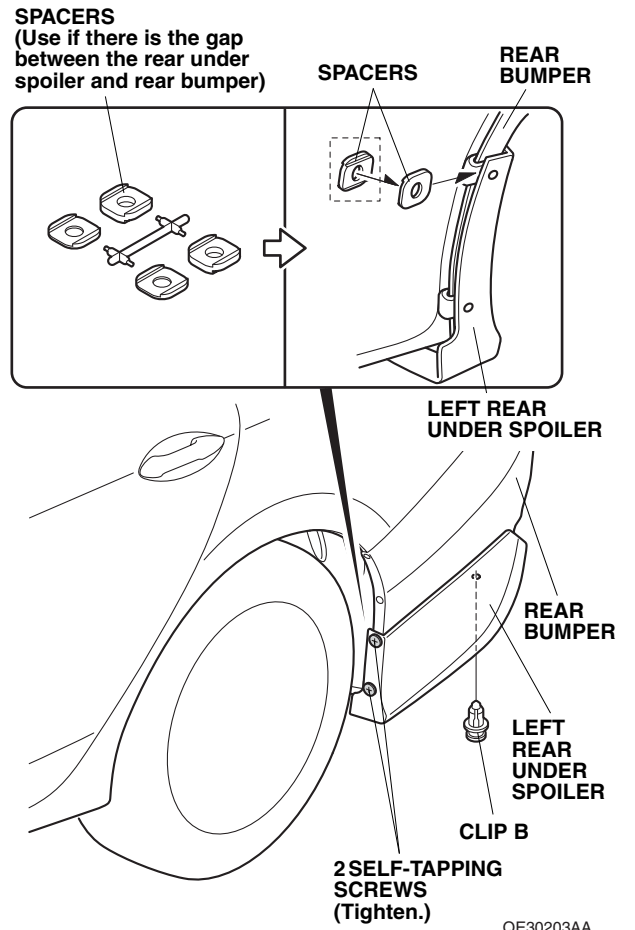


19. Using your hand, firmly press the left rear under spoiler against the rear bumper for 30 seconds.

20. Using a rubber roller, apply firm pressure while rolling to set the adhesive, especially at the ends.



21. Secure the left rear under spoiler with two self-tapping screws loosely secured in step 17 and one clip B.
- Make sure there is no gap between the rear under spoiler and rear bumper. If there is the gap, use spacers to adjust the gap.
  - Spacer thickness of "1" and "2" represent 1 mm and 2 mm.
  - Do not use two of the 2 mm spacers together. Using two of the 2 mm spacers will create an unsightly condition.



22. Turn the template over and repeat steps 2 through 21 to install the right rear under spoiler.