



# INSTALLATION INSTRUCTIONS

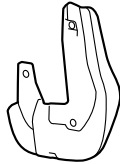
Accessory  
**SPLASH GUARDS**  
P/N 08P00-T0A-100

Application  
**2013 CR-V**

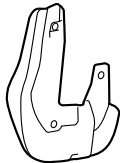
Publications No.  
**All 13154**  
Issue Date  
**AUG 2012**

## PARTS LIST

Left front splash guard



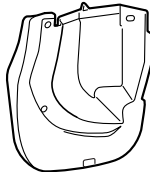
Right front splash guard



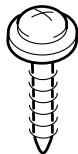
Left rear splash guard



Right rear splash guard



7 Washer-screws



4 Spring nuts



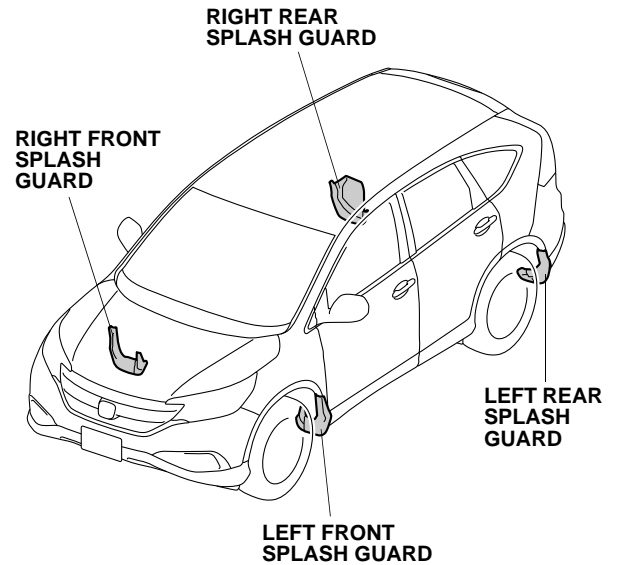
2 Clips



## TOOL AND SUPPLIES REQUIRED

- Phillips screwdriver
- Pushpin
- Stubby Phillips screwdriver

### Illustration of the Splash Guards on the Vehicle



## INSTALLATION

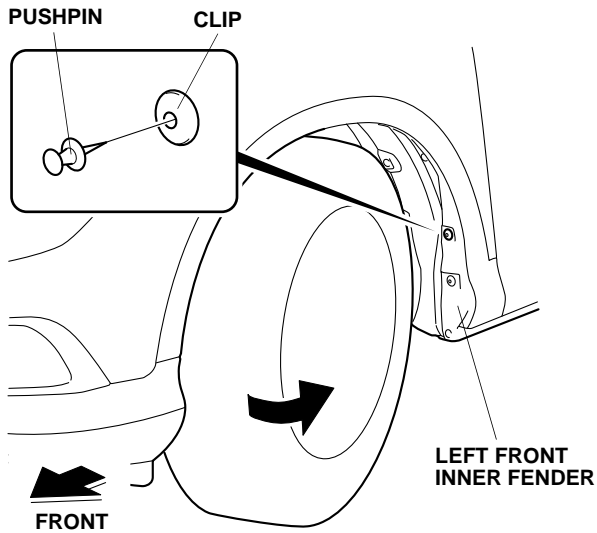
**Customer Information:** The information in this installation instruction is intended for use only by skilled technicians who have the proper tools, equipment, and training to correctly and safely add equipment to your vehicle. These procedures should not be attempted by “do-it-yourselfers.”

### NOTE:

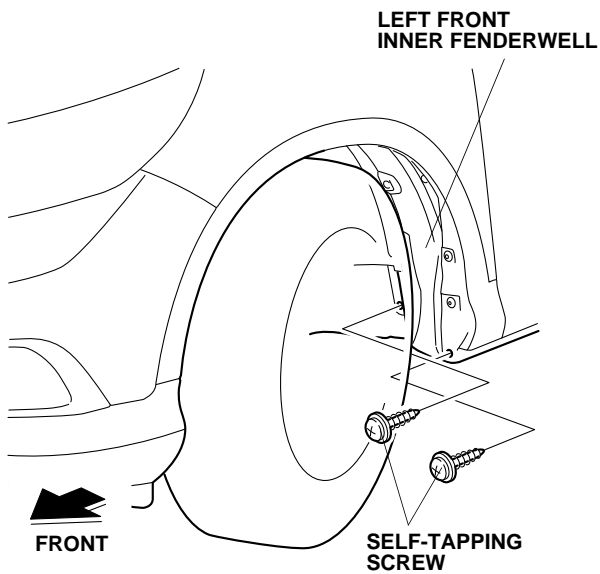
- Be careful not to damage the body paint finish.
- Clean and wax the areas to be covered with a high-quality paste wax.

## Installing the Front Splash Guards

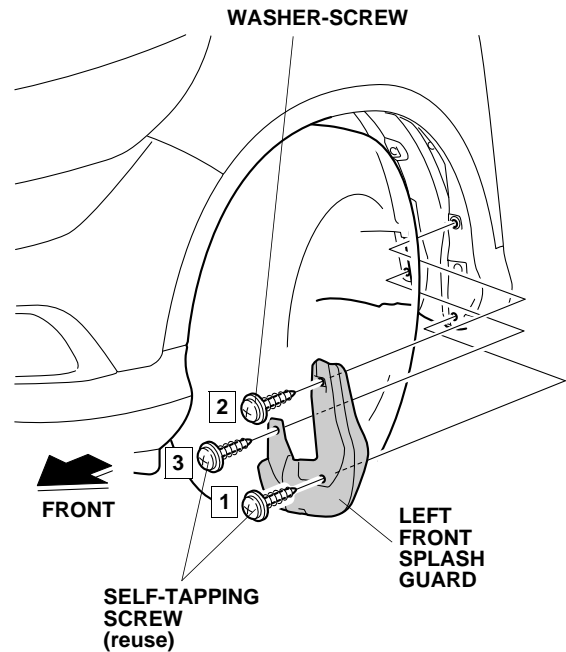
1. Turn the steering wheel fully counterclockwise.



2. Using a pushpin, pierce the center of upper clip on the left front inner fender.
3. Remove two self-tapping screws from the left front inner fenderwell.



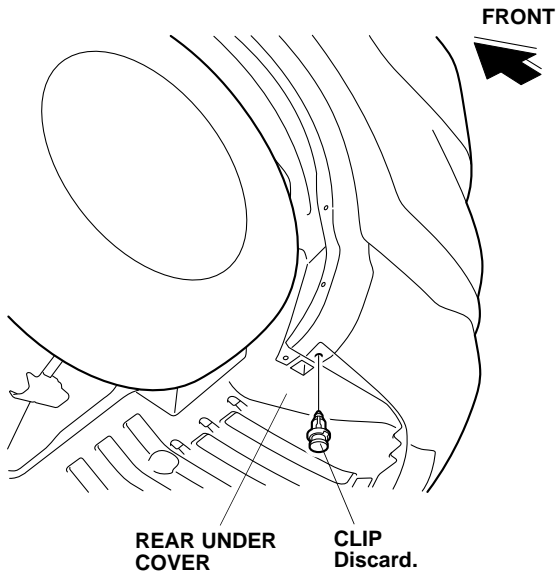
4. Install the left front splash guard to the left front inner fender with one washer-screw and two self-tapping screws removed in step 3 in the order **1** → **2** → **3**. NOTE: Check there is no gap between the left front splash guard and the vehicle body. If there is a gap, loosen the one washer-screw and two self-tapping screws, hold the splash guard against the body, and retighten the screws.



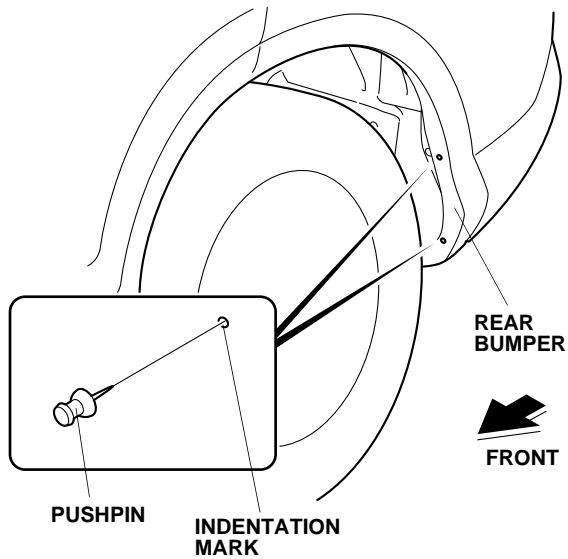
5. Turn the steering wheel fully clockwise, and repeat steps 2 through 4 to install the right front splash guard.

## Installing the Left Rear Splash Guard

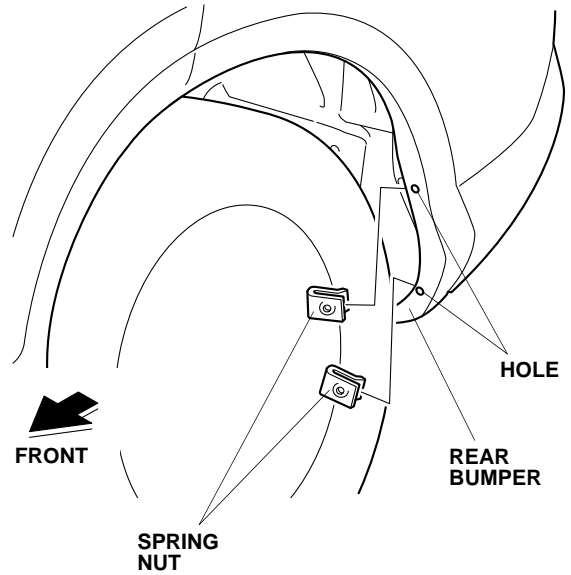
6. Remove and discard one clip from the rear under cover.



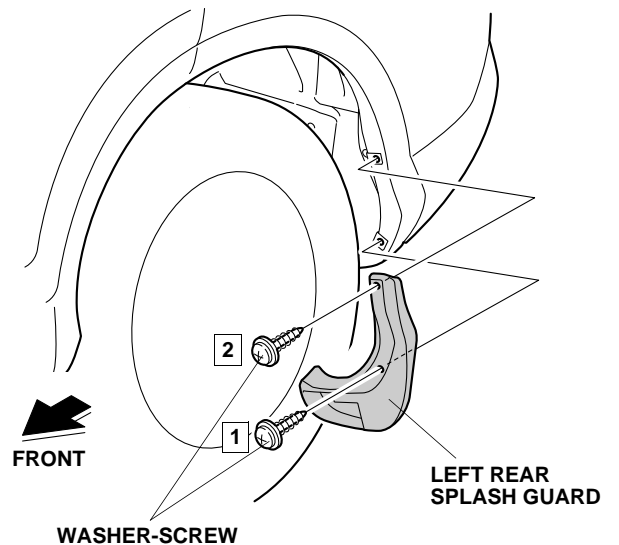
7. Using a pushpin, pierce the rear bumper through the two indentation marks.



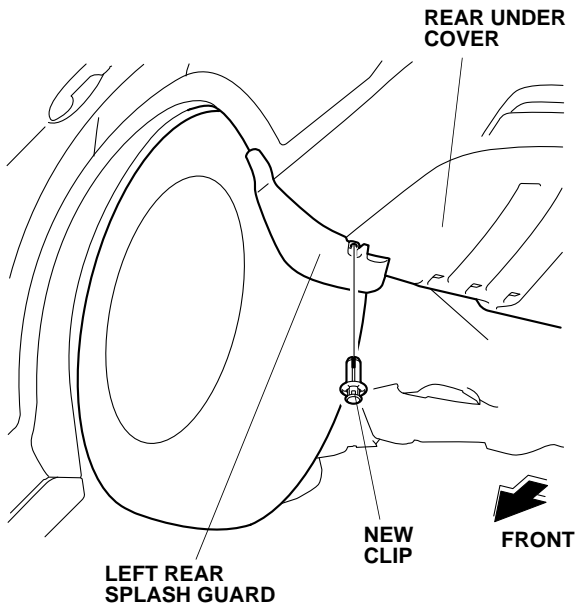
8. Install two spring nuts into two holes on the rear bumper. Install the spring nuts in the direction shown.



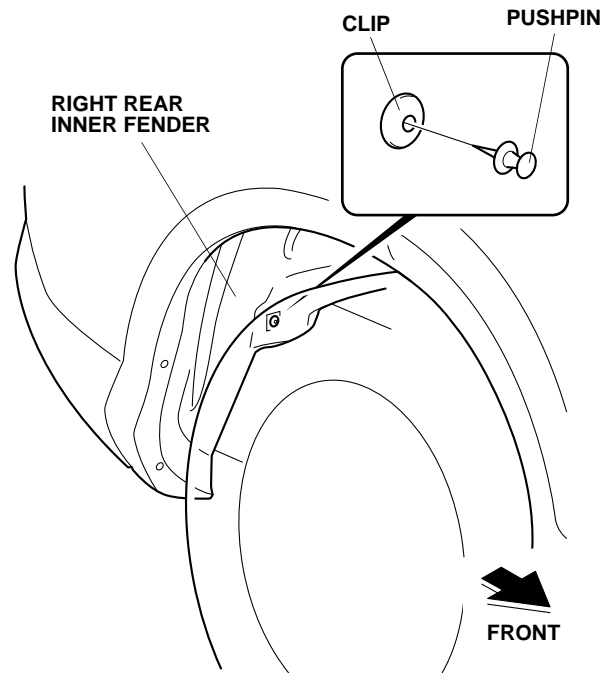
9. Install the left rear splash guard to the rear bumper with two washer-screws in the order **1** → **2**.  
NOTE: Check there is no gap between the left rear splash guard and the vehicle body. If there is a gap, loosen the two washer-screws, hold the splash guard against the body, and retighten the screws.



10. Secure the left rear splash guard to the rear under cover with one new clip.

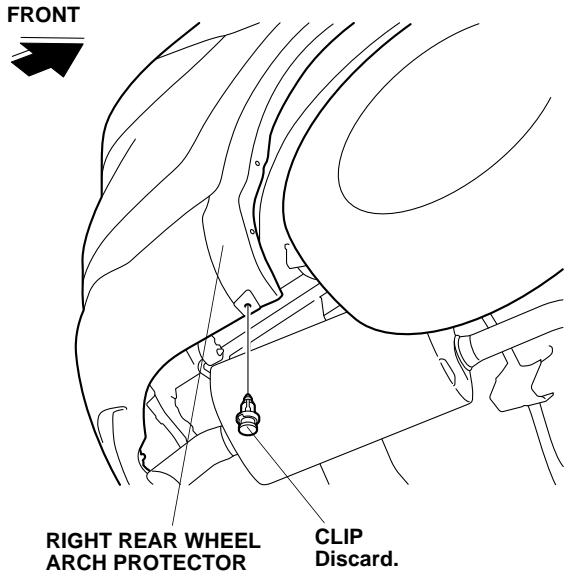


12. Using a pushpin, pierce the center of inner clip on the right rear inner fender.

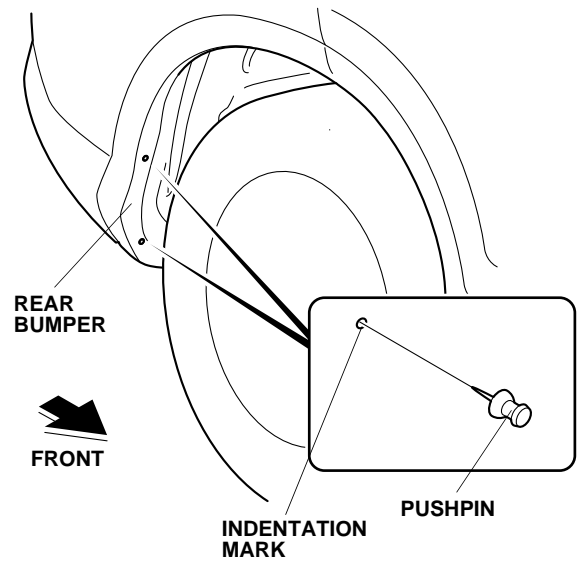


### Installing the Right Rear Splash Guard

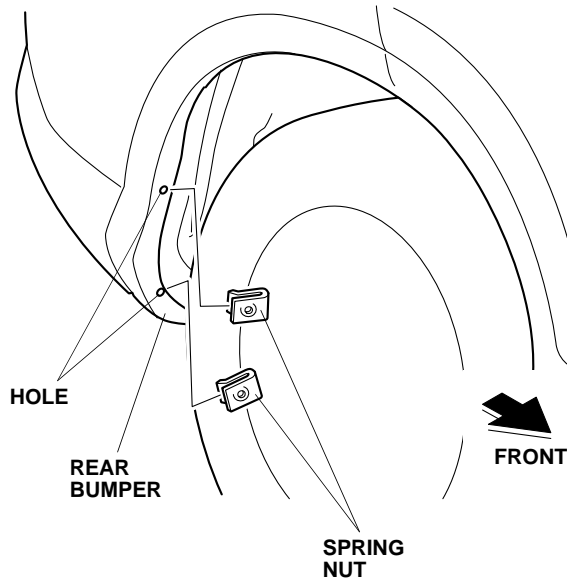
11. Remove and discard one clip from the right rear wheel arch protector.



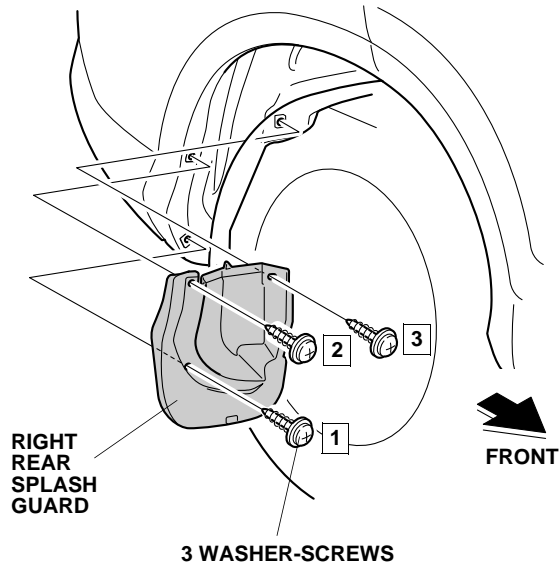
13. Using a pushpin, pierce the rear bumper through the two indentation marks.



14. Install two spring nuts into the two holes on the rear bumper. Install the spring nuts in the direction shown.



15. Install the right rear splash guard to the rear bumper with three washer-screws in the order 1 → 2 → 3. NOTE: Check there is no gap between the right rear splash guard and the vehicle body. If there is a gap, loosen the three washer-screws, hold the splash guard against the body, and retighten the screws.



16. Secure the right rear splash guard to the right rear wheel arch protector with one new clip.

