



INSTALLATION INSTRUCTIONS

Accessory
INTERIOR PANELS

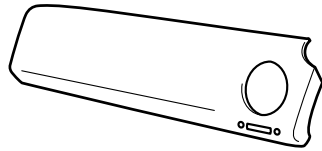
Application
2011 PILOT

Publications No.
All 43320
Issue Date
MARCH 2010

PARTS LIST

Interior Panel Kit A (Non Memory Seat Model)
P/N 08Z03-SZA-130B (Chocolate)
P/N 08Z03-SZA-140B (Brown)

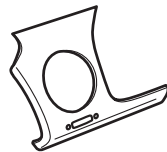
Passenger's interior panel



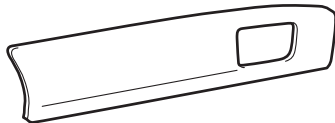
Driver's interior panel A



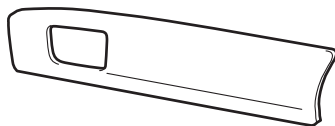
Driver's interior panel B



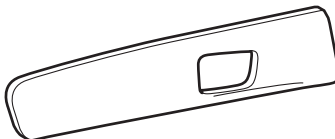
Left front door interior panel



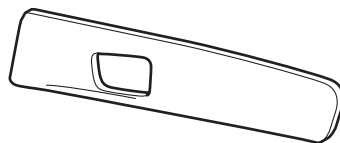
Right front door interior panel



Left rear door interior panel

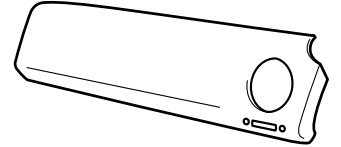


Right rear door interior panel



Interior Panel Kit B (Memory Seat Model)
P/N 08Z03-SZA-130D (Chocolate)
P/N 08Z03-SZA-140D (Brown)

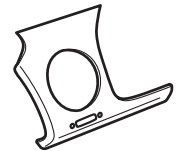
Passenger's interior panel



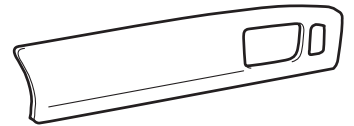
Driver's interior panel A



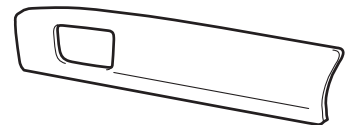
Driver's interior panel B



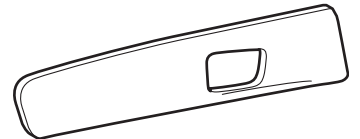
Left front door interior panel



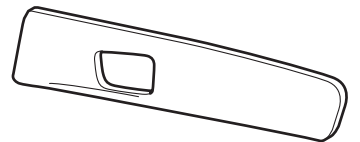
Right front door interior panel



Left rear door interior panel



Right rear door interior panel



TOOLS AND SUPPLIES REQUIRED

Tape
Masking tape
Shop towel
Isopropyl alcohol
Rubber roller
T/N: MHLE54D

INSTALLATION

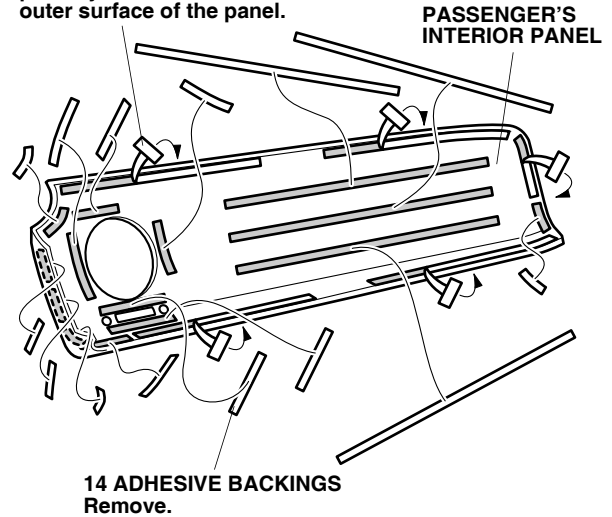
NOTE:

- Take care not to damage the vehicle body and the parts of the vehicle.
- Clean the surface where a seal or double-sided adhesive tape will be attached using a shop towel dampened with isopropyl alcohol, and allow the surface to dry thoroughly before attaching the seal or double-sided adhesive tape.
- This interior panel kit should be installed only if the ambient air temperature is 15°C (60°F) or above.
- Make sure each panel is in the correct position before you attach it. Detaching an attached panel can damage it or weaken the bonding strength of the adhesive backing.

Installing the Passenger's Interior Panel

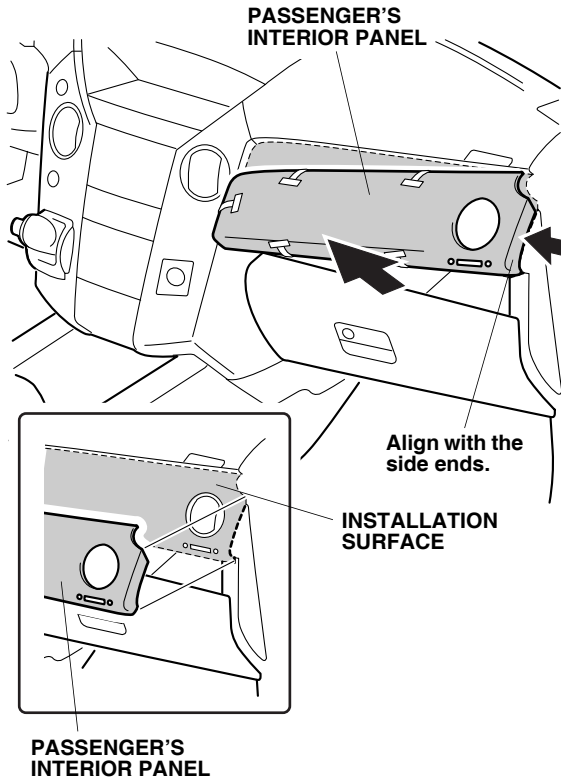
1. Check the surface where the passenger's interior panel will be attached and clean the surface using isopropyl alcohol on a shop towel.

5 ADHESIVE BACKINGS
Attach a piece of tape to an end.
Peel back the adhesive backing partway and attach it to the outer surface of the panel.

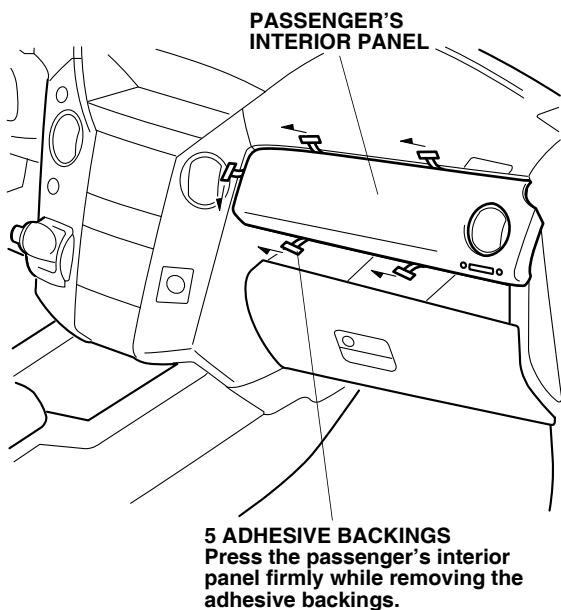


2. Attach a piece of tape to an end of the five adhesive backings on the back side of the passenger's interior panel. Peel back the adhesive backings partway and temporarily attach them to the outer surface of the passenger's interior panel as shown.
3. Remove all of the remaining adhesive backings.

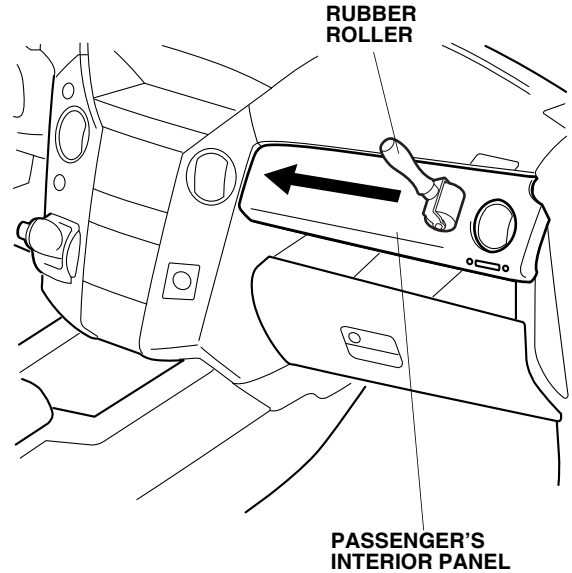
- Align the passenger's interior panel with the side ends and press it against the the installation surface as shown.



- Press the passenger's interior panel firmly while removing the adhesive backings that you temporarily attached to the outer surface.

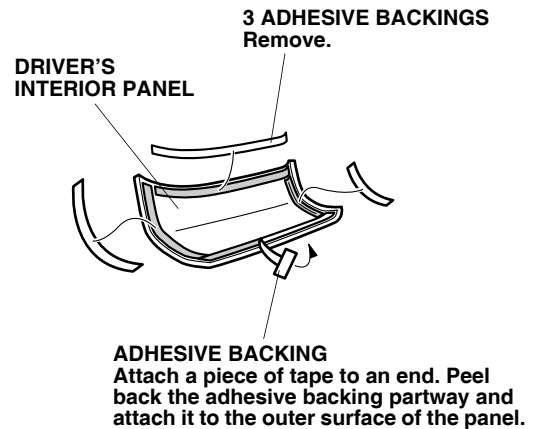


- Using a rubber roller, apply pressure against the passenger's interior panel and roll from one end to the other.



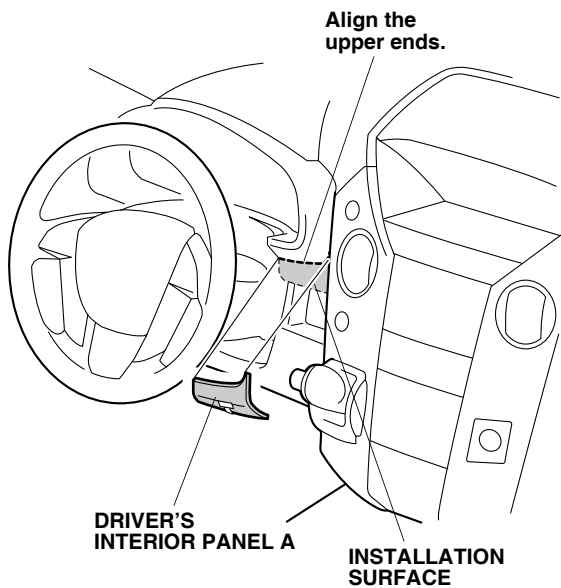
Installing the Driver's Interior Panel A

- Check the surface where the driver's interior panel A will be attached and clean the surface using isopropyl alcohol on a shop towel.

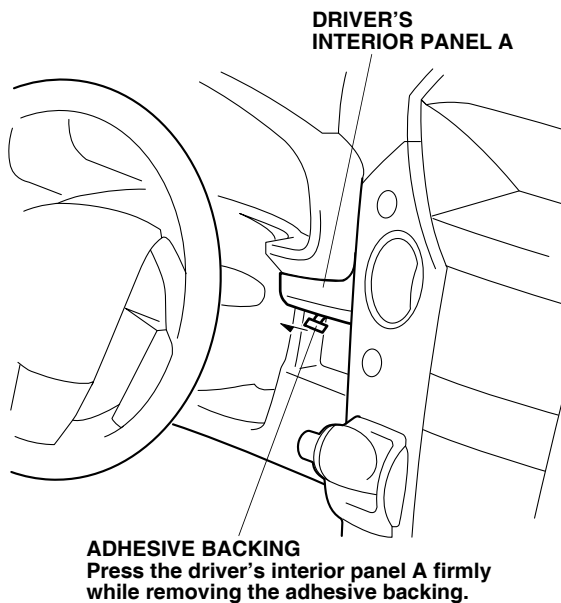


- Attach a piece of tape to an end of one adhesive backing on the back side of the driver's interior panel A. Peel back the adhesive backing partway and temporarily attach it to the outer surface of the driver's interior panel A as shown.
- Remove all of the remaining adhesive backings.

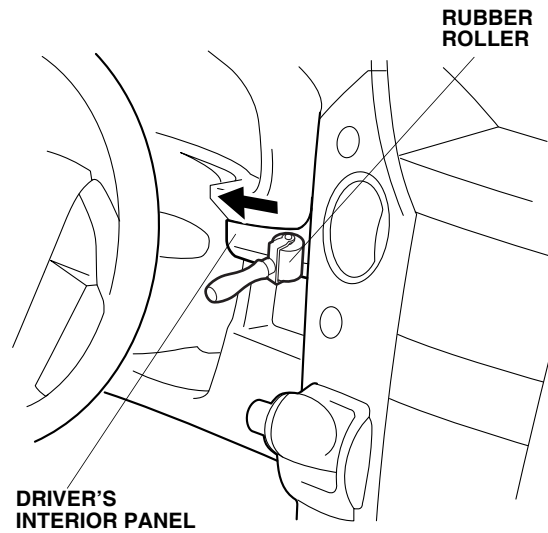
- Align the driver's interior panel A with the surface where it attaches.



- Press the driver's interior panel A firmly while removing the adhesive backing that you temporarily attached to the outer surface side.

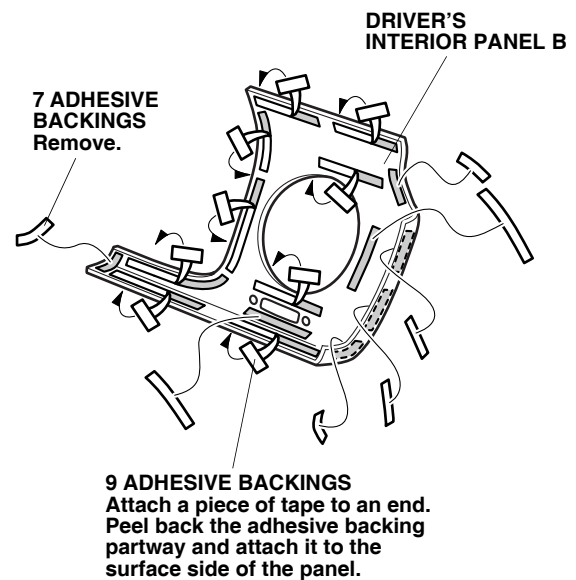


- Using a rubber roller, apply pressure against the driver's interior panel A and roll from one end to the other.



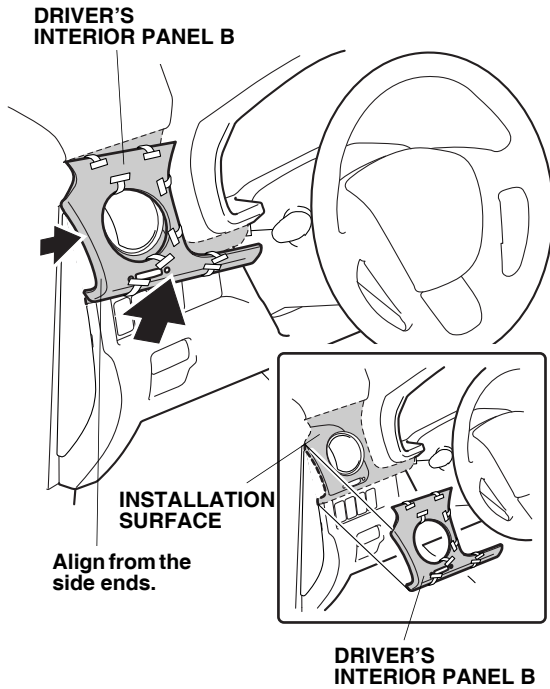
Installing the Driver's Interior Panel B

- Check the surface where the driver's interior panel B will be attached and clean the surface using isopropyl alcohol on a shop towel.

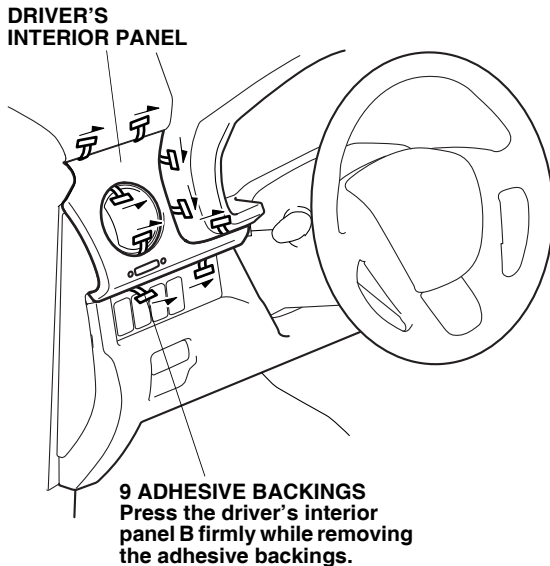


- Attach a piece of tape to an end of nine adhesive backings on the back side of the driver's interior panel B. Peel back the adhesive backings partway and temporarily attach them to the outer surface of the driver's interior panel B as shown.
- Remove all of the remaining adhesive backings.

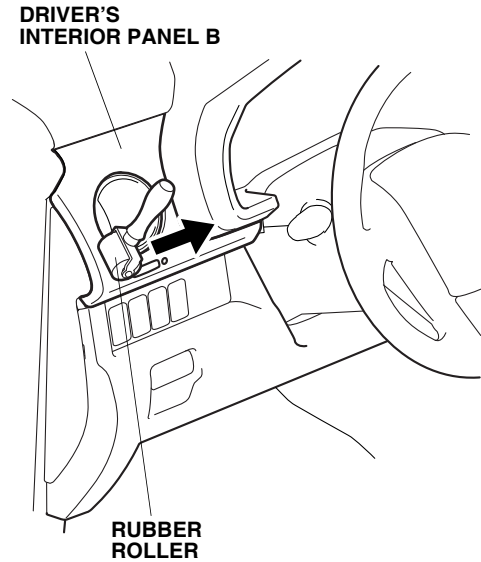
16. Align the driver's interior panel B with the side ends and press it against the installation surface as shown.



17. Press the driver's interior panel B firmly while removing the adhesive backings that you temporarily attached to the surface side.



18. Using a rubber roller, apply pressure against the driver's interior panel B and roll from one end to the other.

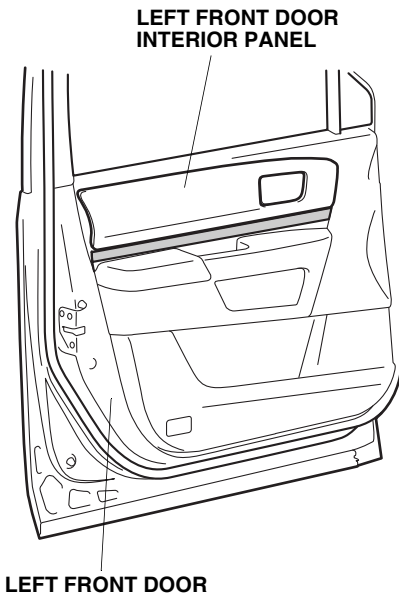


Installing the Front Door Interior Panel

Non-memory seat model: Perform steps 19 through 26.
Memory seat model: Perform steps 27 through 34.

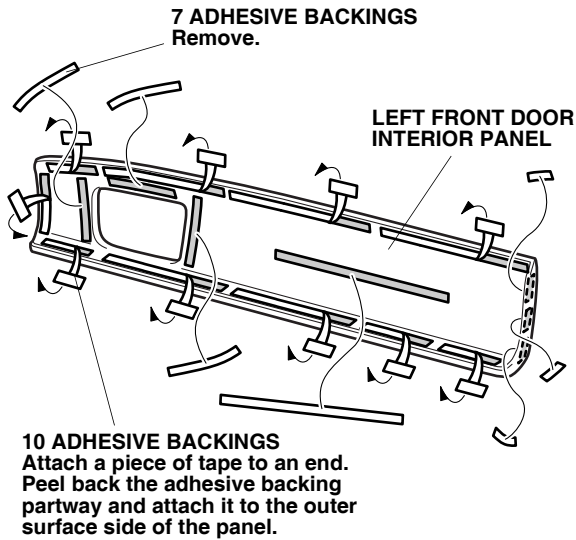
Non-memory seat model

19. Align and hold the left front door interior panel to the installation surface.

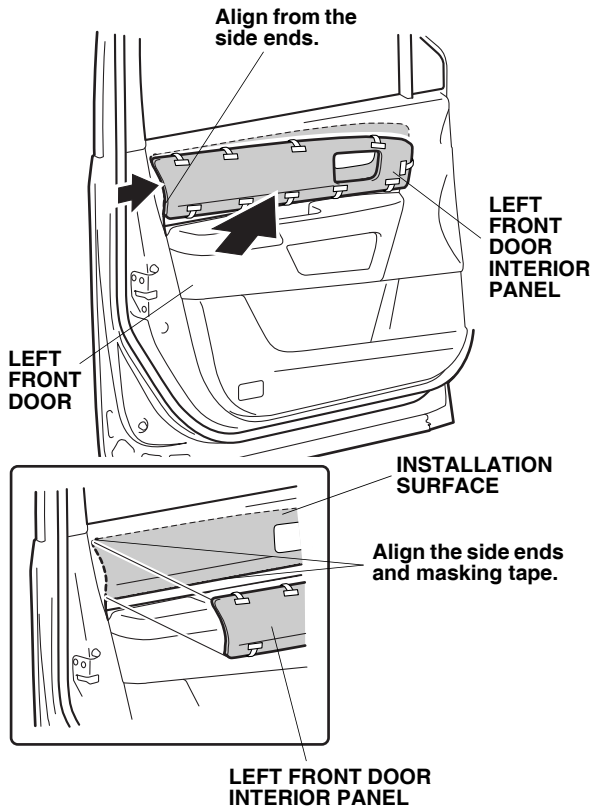


20. Using isopropyl alcohol on a shop towel, clean the area where the left front door interior panel will attach.

21. Attach a piece of tape to an end of ten adhesive backings on the back side of the left front door interior panel. Peel back the adhesive backings partway and temporarily attach them to the outer surface of the left front door interior panel as shown.

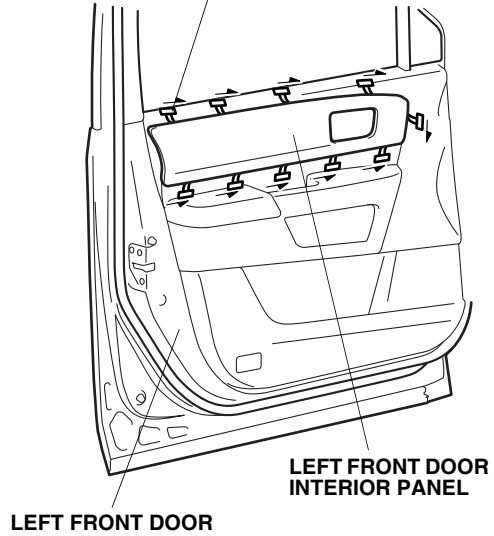


22. Remove all of the remaining adhesive backings.
23. Align the left front door interior panel with the side ends and press it against the installation surface as shown.

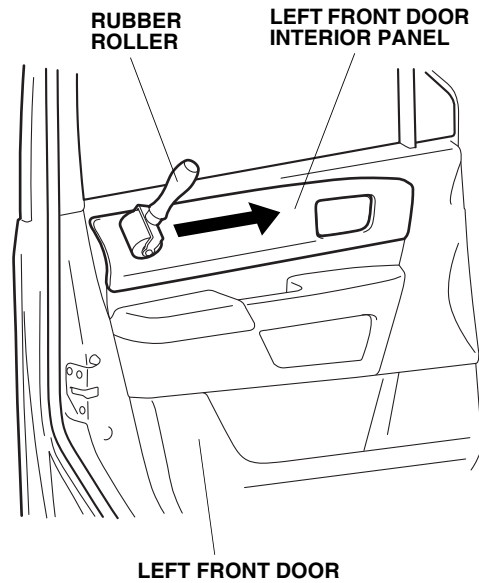


24. Press the left front door interior panel firmly while removing the adhesive backings that you temporarily attached to the outer surface side.

10 ADHESIVE BACKINGS
Press the left front door interior panel firmly while removing the adhesive backings.



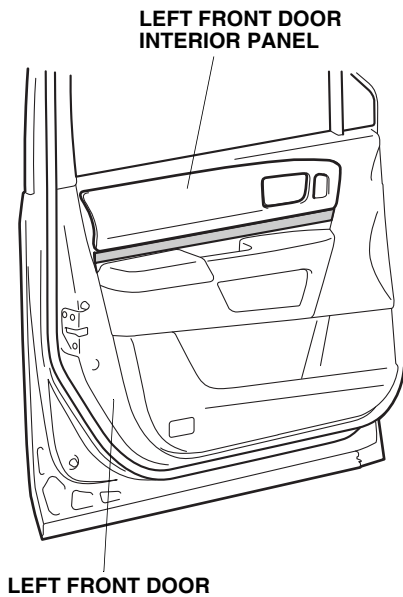
25. Using a rubber roller, apply pressure against the left front door interior panel and roll from one end to the other.



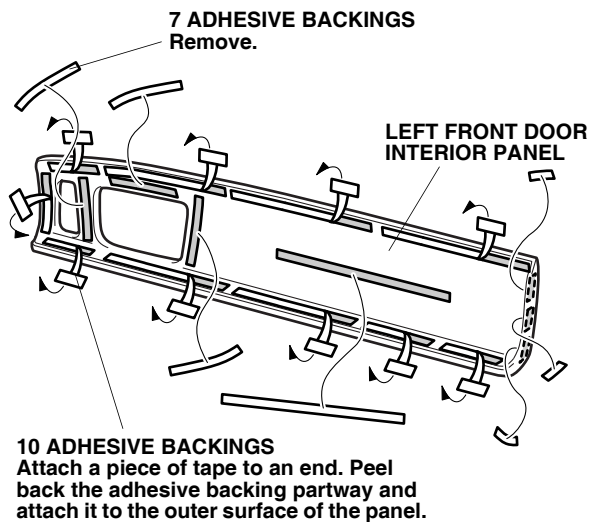
26. Repeat the procedure on the right side. Go to step 35.

Memory seat model

27. Align and hold the left front door interior panel to the installation surface.

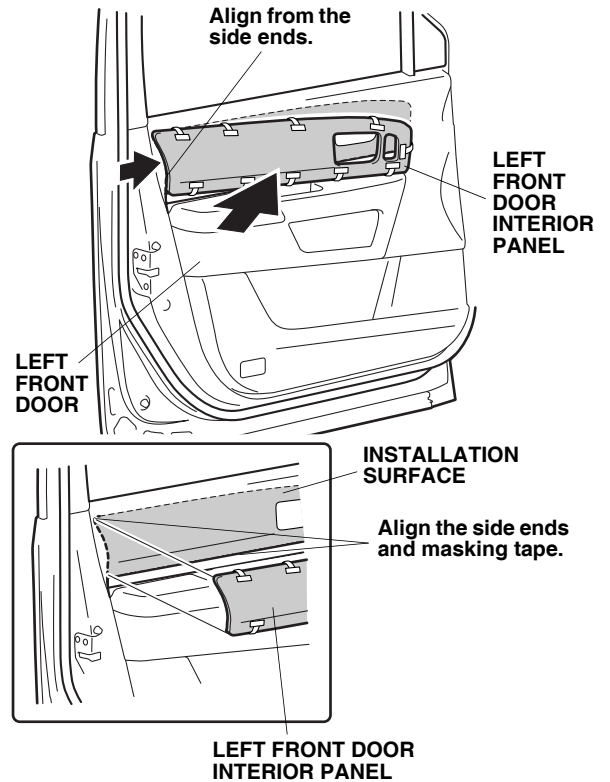


28. Using isopropyl alcohol on a shop towel, clean the area where the left front door interior panel will attach.
29. Attach a piece of tape to an end of ten adhesive backings on the back side of the right front door interior panel. Peel back the adhesive backings partway and temporarily attach them to the outer surface of the left front door interior panel as shown.



30. Remove all of the remaining adhesive backings.

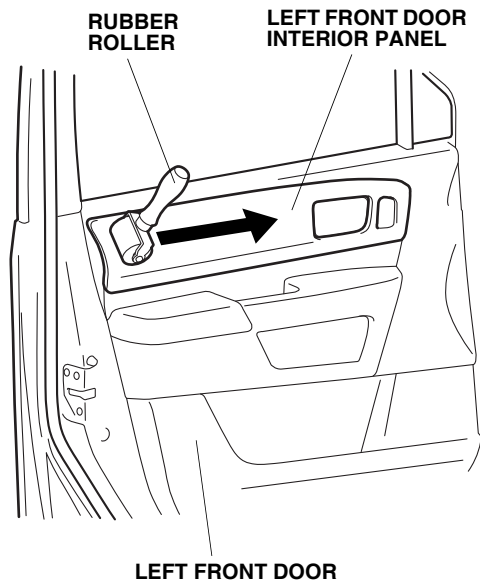
31. Align the left front door interior panel with the side ends and press it against the installation surface as shown.



32. Press the left front door interior panel firmly while removing the adhesive backings that you temporarily attached to the outer surface.



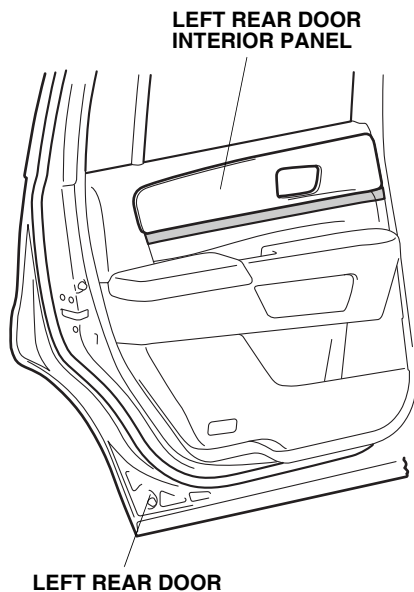
33. Using a rubber roller, apply pressure against the left front door interior panel and roll from one end to the other.



34. Repeat the procedure on the right side.

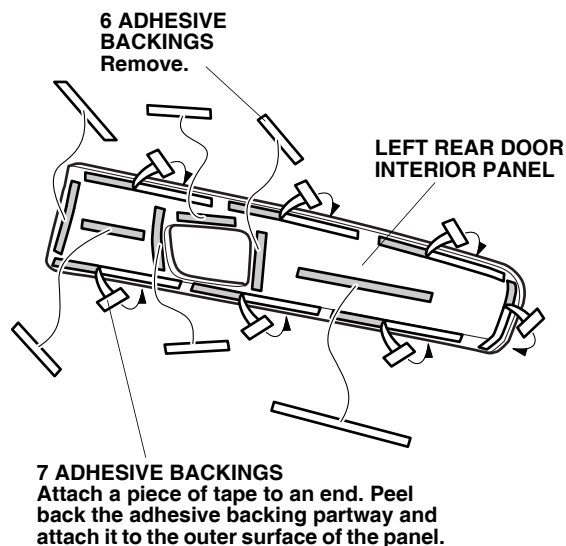
Installing the Rear Door Interior Panel

35. Align and hold the left rear door interior panel to the installation surface.

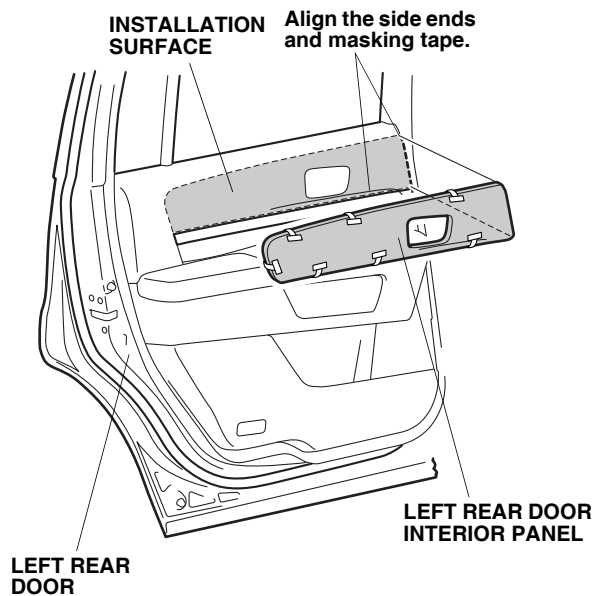


36. Using isopropyl alcohol on a shop towel, clean the area where the left rear door interior panel will attach.

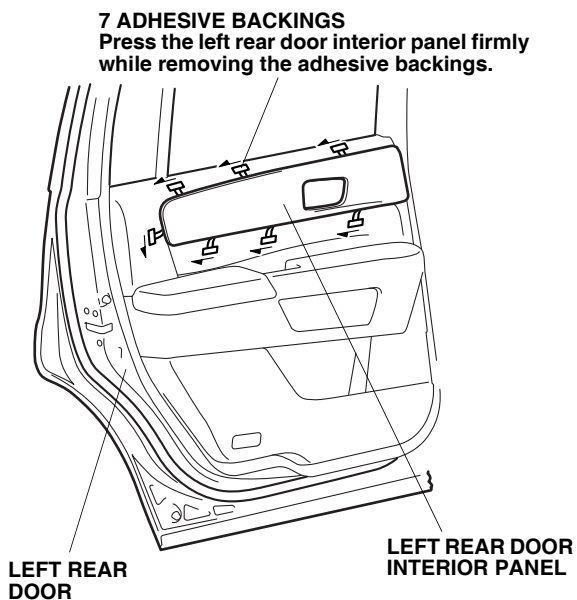
37. Attach a piece of tape to an end of seven adhesive backings on the back side of the left rear door interior panel. Peel back the adhesive backings partway and temporarily attach them to the outer surface of the left rear door interior panel as shown.



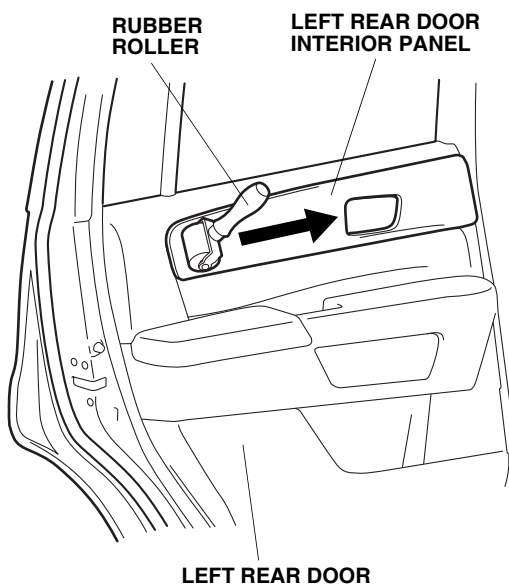
38. Remove all of the remaining adhesive backings.
39. Align the left rear door interior panel with the surface where it is to be attached.



40. Press the left rear door interior panel firmly while removing the adhesive backings that you temporarily attached to the surface side.



41. Using a rubber roller, apply pressure against the left rear door interior panel and roll from one end to the other.



42. Repeat the procedure on the right side.