



# INSTALLATION INSTRUCTIONS

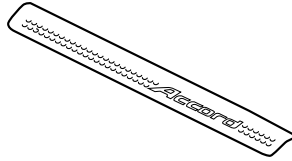
Accessory  
**DOOR SILL TRIM**  
P/N 08F05-TA0-100

Application  
**2011 ACCORD**  
4-DOOR

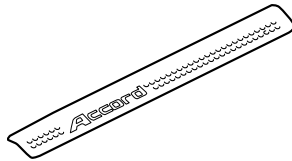
Publications No.  
**All 44116**  
Issue Date  
**AUG 2010**

## PARTS LIST

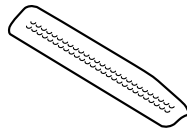
Left front door sill plate



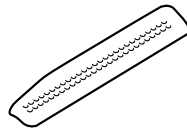
Right front door sill plate



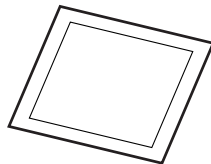
Left rear door sill plate



Right rear door sill plate



2 Alcohol swabs

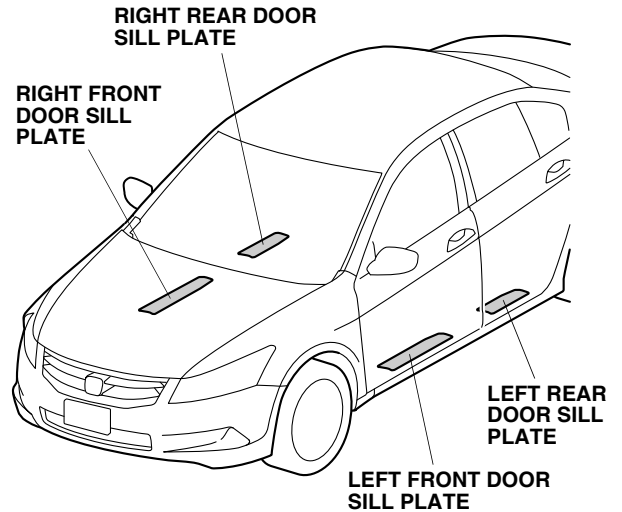


## TOOLS AND SUPPLIES REQUIRED

Tape measure

Masking tape

## Illustration of the Door Sill Trim installed on the vehicle



## INSTALLATION

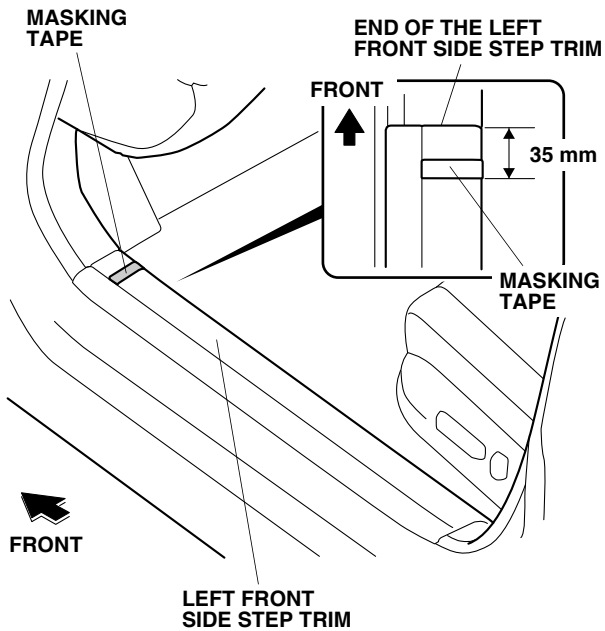
**Customer Information:** The information in this installation instruction is intended for use only by skilled technicians who have the proper tools, equipment, and training to correctly and safely add equipment to your vehicle. These procedures should not be attempted by "do-it-yourselfers."

### NOTE:

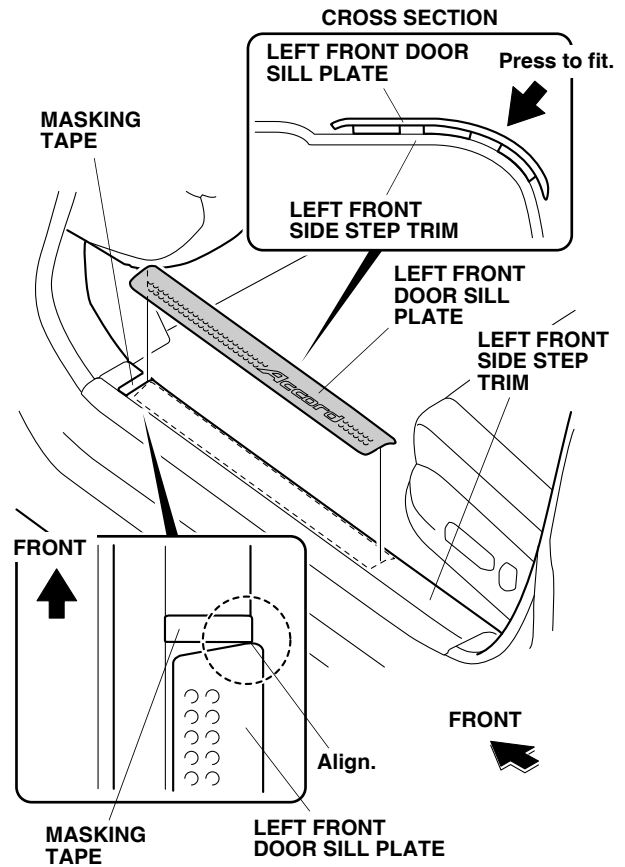
- Be careful not to damage the body paint finish.
- This kit should be installed only if the ambient air temperature is 15°C (60°F) or above.
- To allow the adhesive to cure, do not wash the vehicle for 24 hours. Please advise the customer.

## Installing the Door Sill Trim

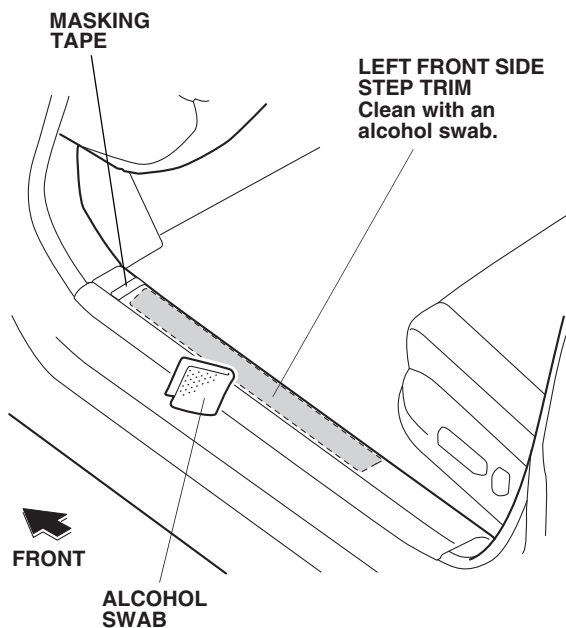
1. Open the left front door. Measure and attach a piece of masking tape to the left front side step trim as shown.



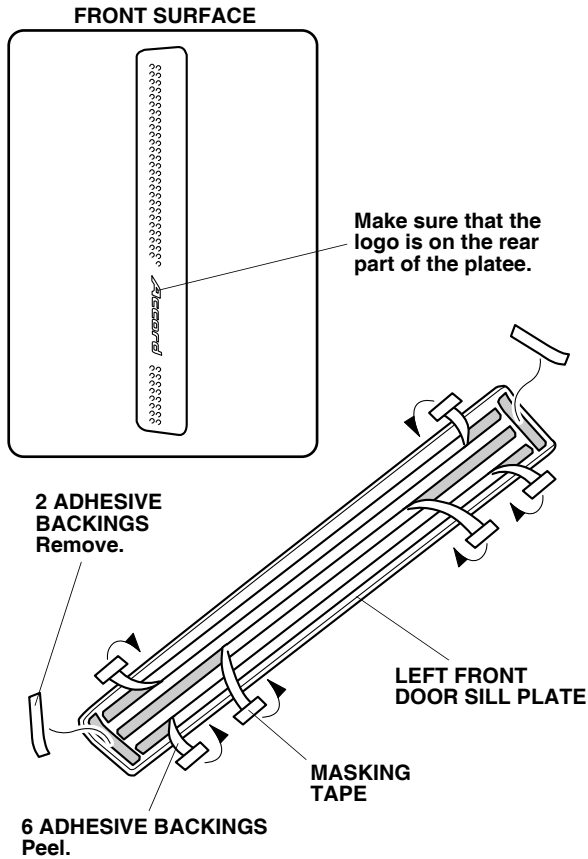
2. Align the front edge of the left front door sill plate to the masking tape attached in step 1, then press on the left front door sill plate to fit it to the left front side step trim as shown. Remove the door sill plate.



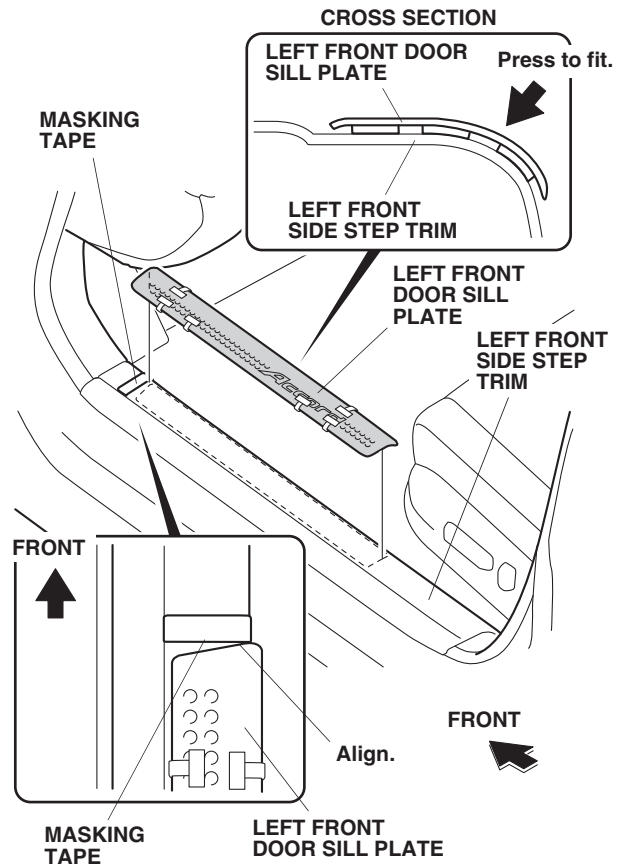
3. Using an alcohol swab, thoroughly clean the left front side step trim where the door sill trim will attach.



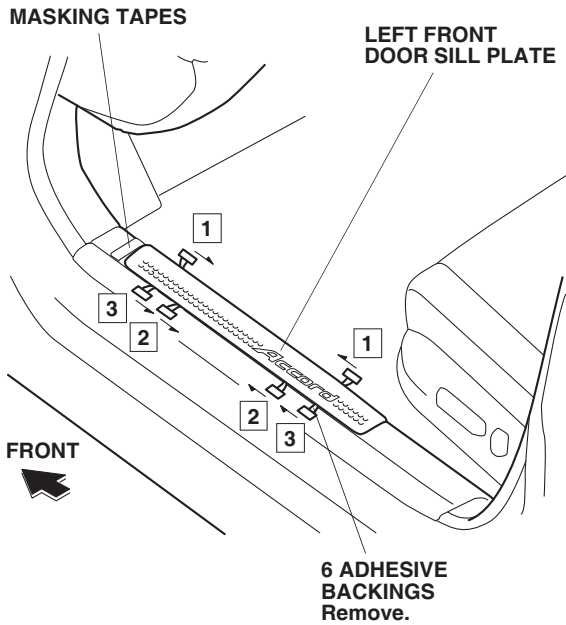
- Attach pieces of masking tape to the ends of the adhesive backings as shown. Peel back the adhesive backings partway and temporarily attach them to the outer surface of the left front door sill plate. Remove the remaining adhesive backings. NOTE: To verify that you have the left front door sill plate, make sure that the logo is on the rear of the plate and will face the outside of the vehicle.



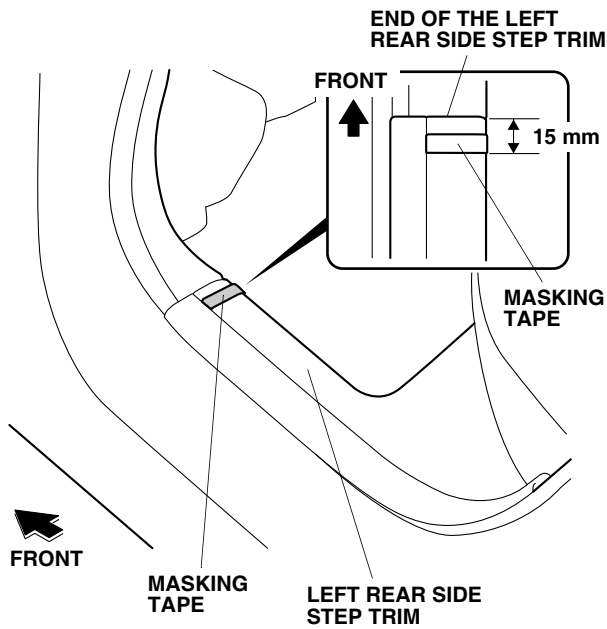
- Align the left front door sill plate to the masking tape and press to fit the left front door sill plate to the left front side step trim as shown.



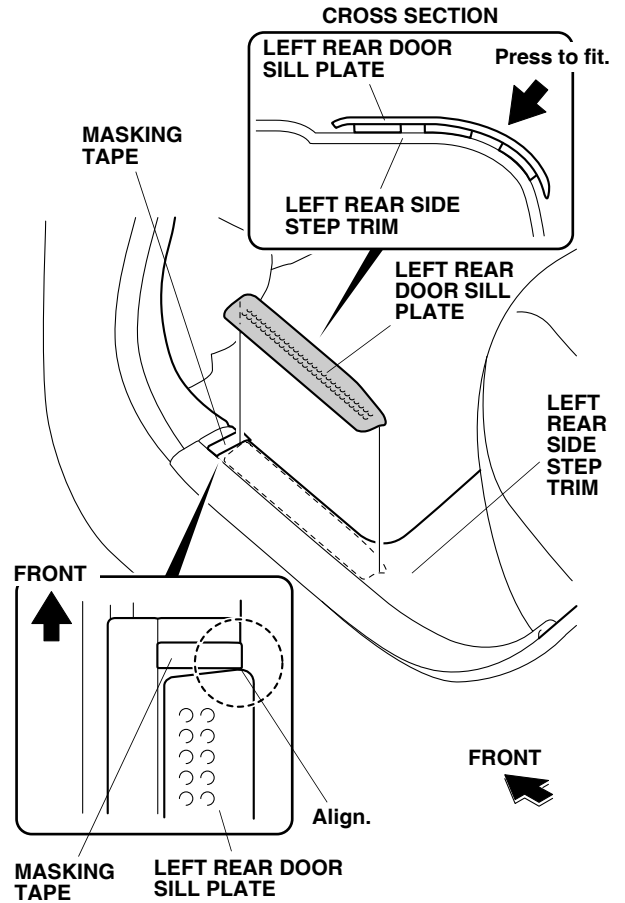
- While applying light pressure against the left front door sill plate, carefully remove the taped adhesive backings in the order shown. Using the palm of your hand, firmly press the left front door sill plate to the left front side step trim.



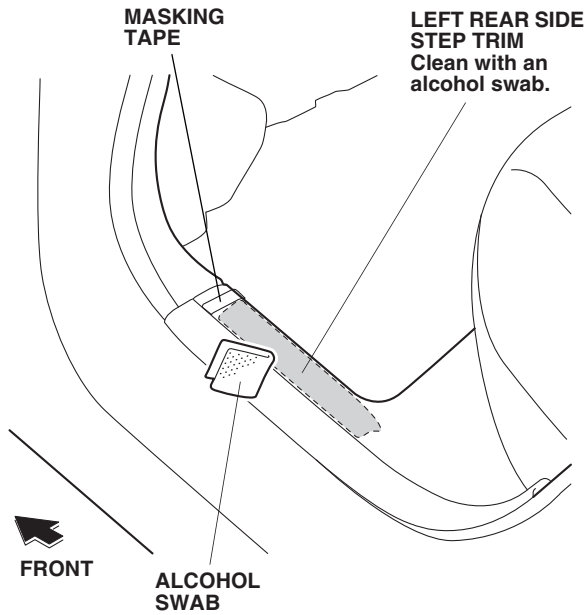
- Remove the masking tape.
- Open the left rear door. Measure and attach a piece of masking tape to the left rear side step trim as shown.



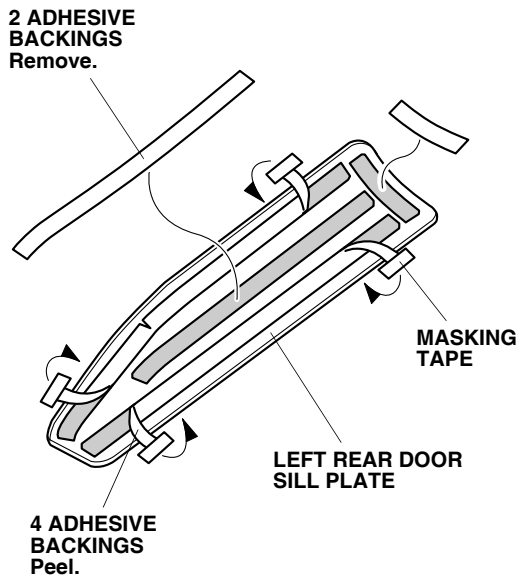
- Align the front edge of the left rear door sill plate to the masking tape attached in step 8, then press on the left rear door sill plate to fit it to the left rear side step trim as shown.



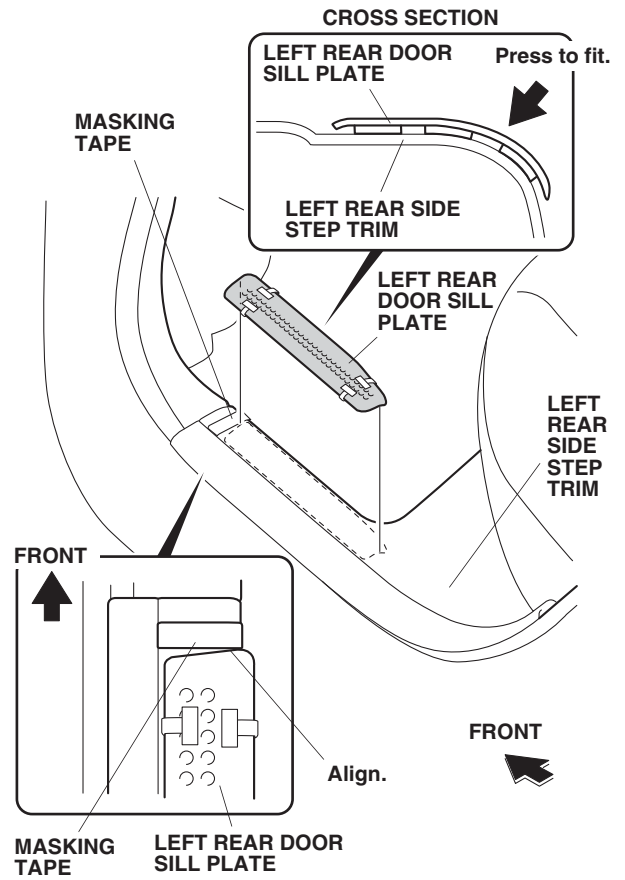
10. Using an alcohol swab, thoroughly clean the left rear side step where the rear door sill trim will attach.



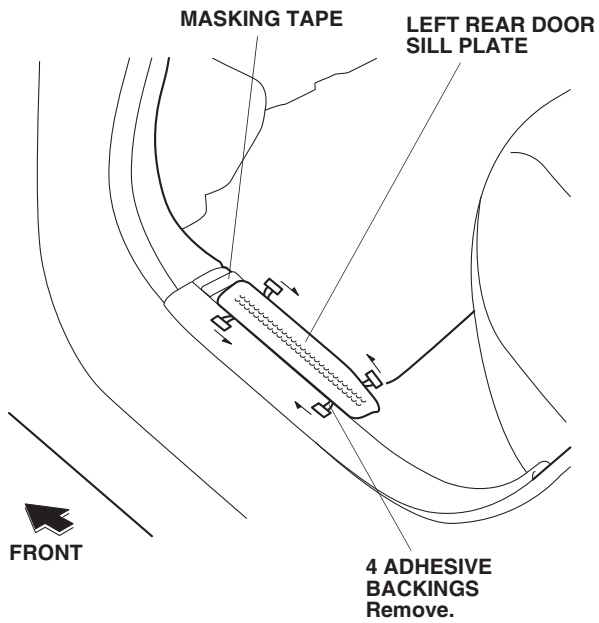
11. Attach pieces of masking tape to the ends of the adhesive backings as shown. Peel back the adhesive backings partway and temporarily attach them to the outer surface of the left rear door sill plate. Remove the remaining adhesive backings.



12. Align the left rear door sill plate to the masking tape and press on the edge to fit the left rear door sill plate to the left rear side step trim as shown.



13. While applying light pressure against the left rear door sill plate, carefully remove the taped adhesive backings. Using the palm of your hand, firmly press the left rear door sill plate to the left rear side step trim.



14. Remove the masking tape.
15. Repeat steps 1 through 14 on the right side of the vehicle.