

# HONDA

## INSTALLATION INSTRUCTIONS

Accessory  
**USB ADAPTER**

Application  
**2010 INSIGHT**

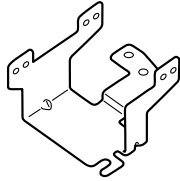
Publications No.  
**All 40886**

Issue Date  
**MARCH 2009**

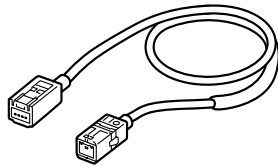
### PARTS LIST

#### USB Adapter Attachment Kit P/N 08B28-TM8-100A

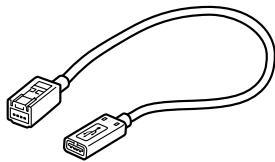
Control unit bracket



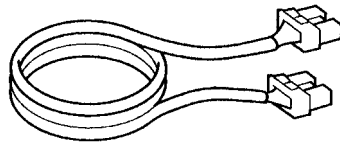
USB cable



USB cable A



Bus cable



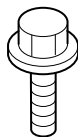
Grommet



3 Flange bolts, 5 x 7 mm



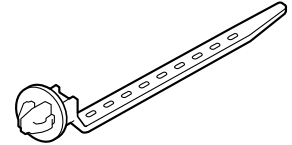
6 x 12 mm Washer-bolt



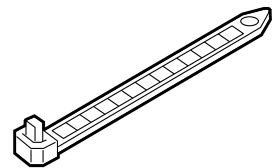
6 mm Flange nut



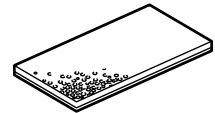
Wire tie with clip



10 Wire ties

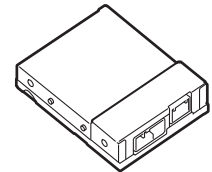


5 Urethane tapes



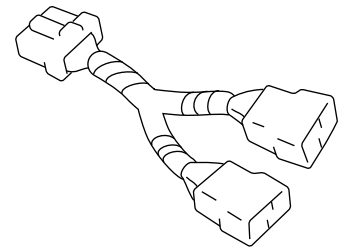
#### USB Adapter Kit P/N 08A28-0K1-100

Control unit



#### Bus Cable 2-Port P/N 08A31-0F1-000

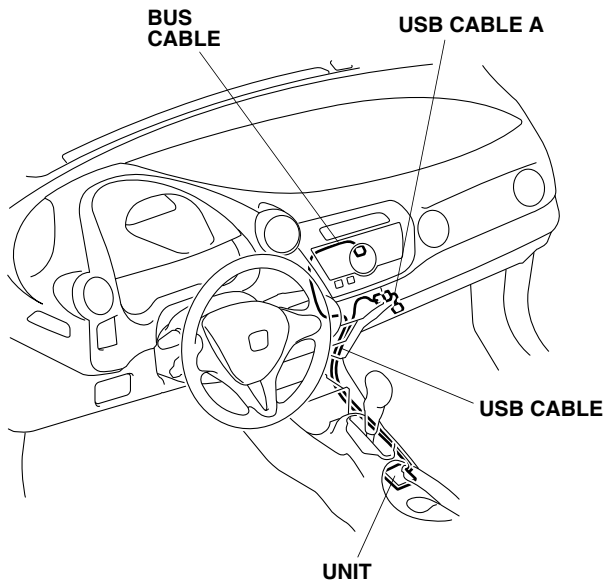
Bus cable 2-port



## TOOLS AND SUPPLIES REQUIRED

Phillips screwdriver  
Flat-tip screwdriver  
Ratchet  
10 mm Combination wrench  
Shop towel  
Scale  
File  
Isopropyl alcohol  
Utility knife  
Pushpin  
Drill  
16 mm Hole saw  
Eye protection (face shield, safety goggles, etc.)  
8 mm and 10 mm Socket  
Diagonal cutters  
Plastic trim tool  
T/N SILTRIMTL 10  
3 mm Drill bit  
Tape  
Hammer (Wooden handle)

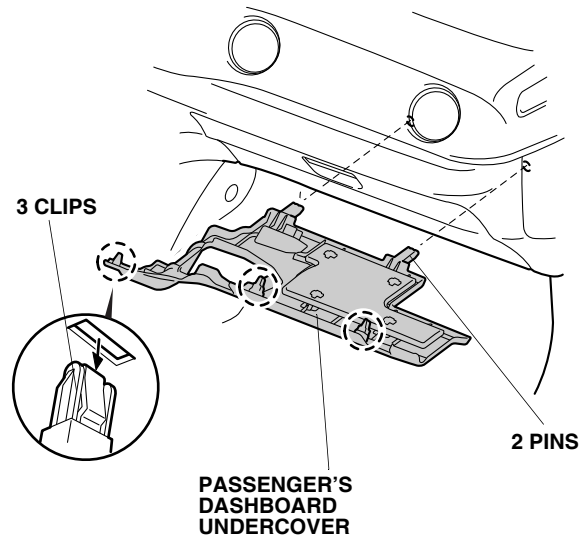
### *Illustration of the USB Adapter Installed in the Vehicle*



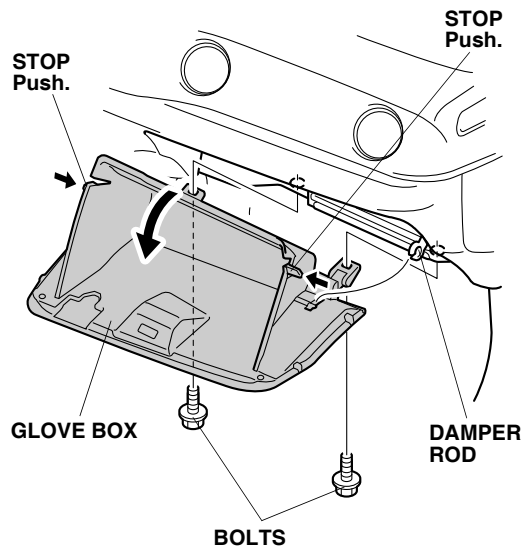
## INSTALLATION

**Customer Information:** The information in this installation instruction is intended for use only by skilled technicians who have the proper tools, equipment, and training to correctly and safely add equipment to your vehicle. These procedures should not be attempted by “do-it-yourselfers.”

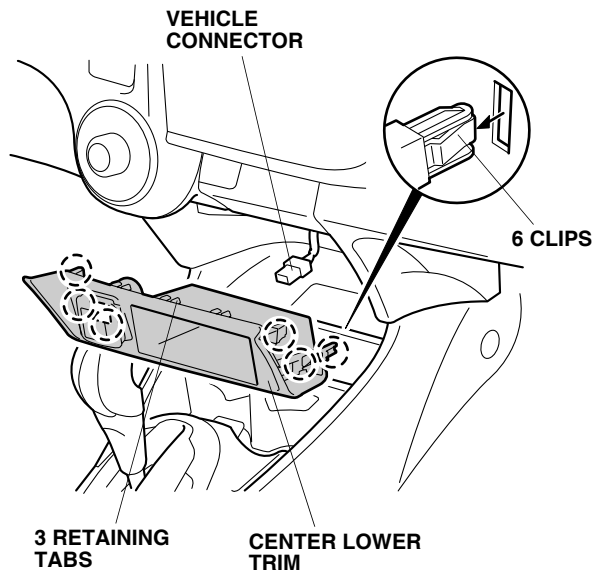
1. Make sure you have the anti-theft code for the audio unit.
2. Disconnect the negative cable from the 12 volt battery.
3. Remove the passenger's undercover (three clips and two pins).



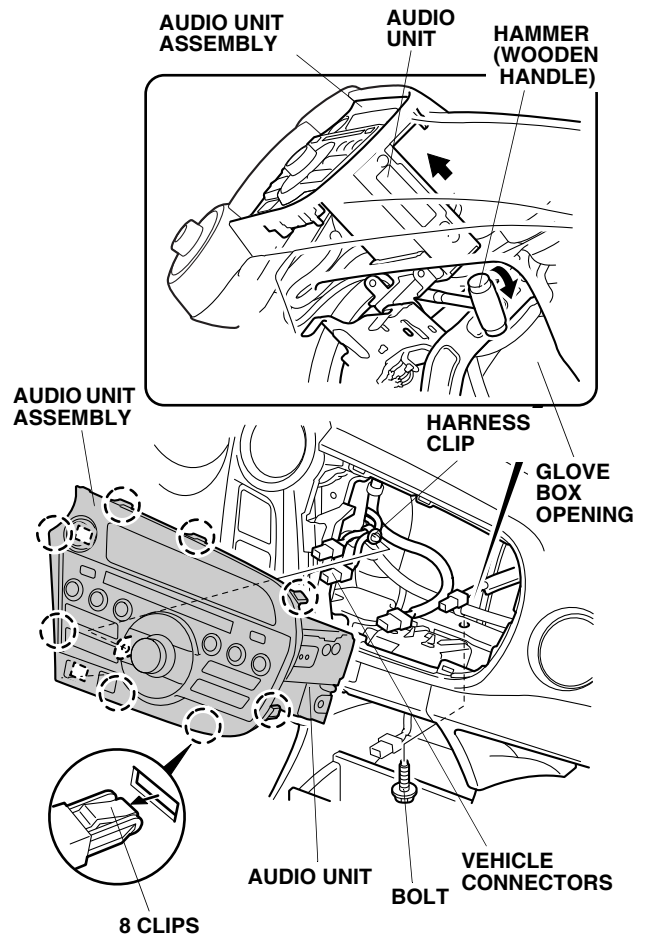
- Remove the glove box (one damper rod, two bolts, and two stops).



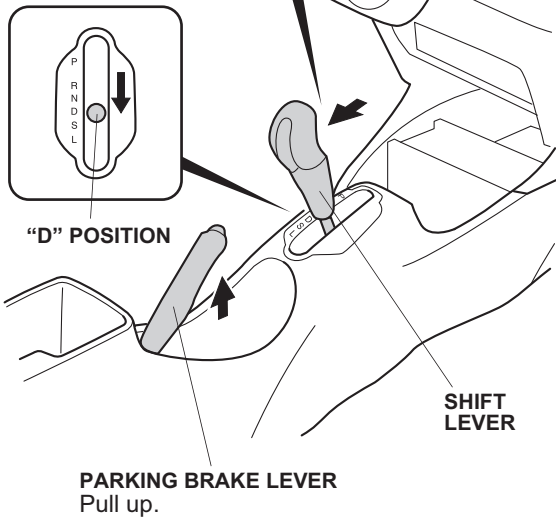
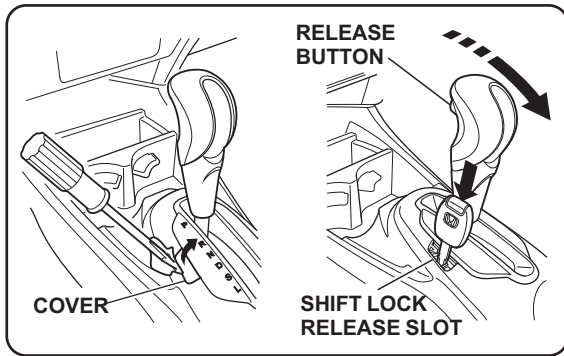
- Remove the center lower trim (six clips, three retaining tabs, and unplug the vehicle connector).



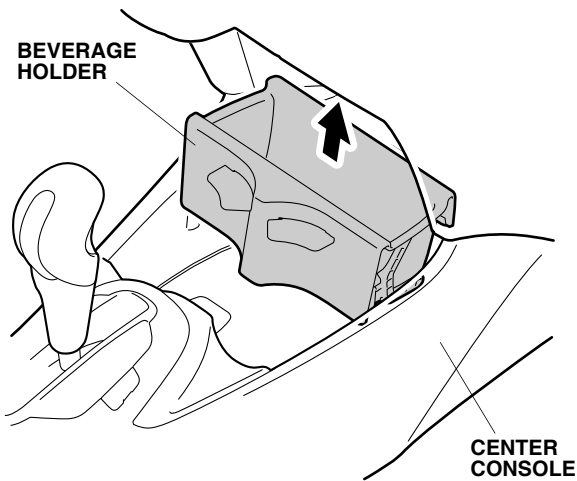
- Remove the audio unit assembly:
  - Reach under the dashboard, and remove the audio unit bolt.
  - Using the sturdy wooden handle of a hammer, push the back of the audio unit forward to release the eight clips.
  - Release the harness clip, and unplug the vehicle connectors. Carefully remove the audio unit without scratching the dashboard.



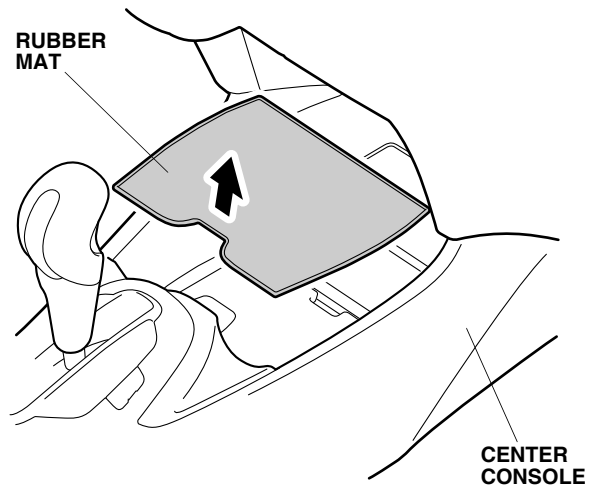
7. Move the shift lever to the "D" position, and pull the parking brake lever all the way up.



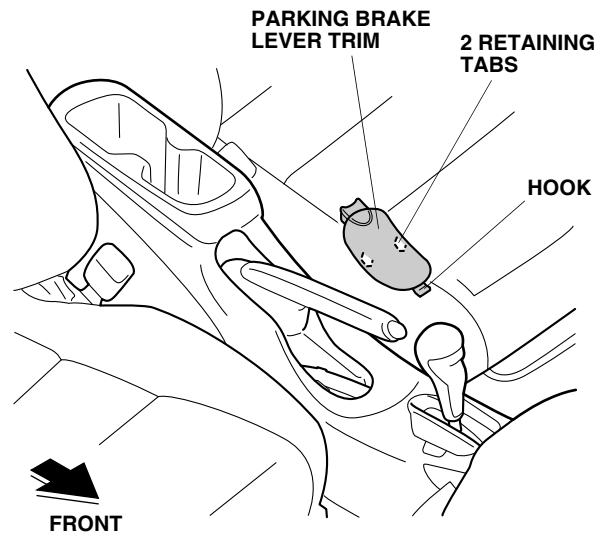
8. Insert the key into the shift lock release slot, push down on the key, and move the shift lever to the "D" position. Pull the parking brake lever all the way up.
9. Remove the beverage holder.



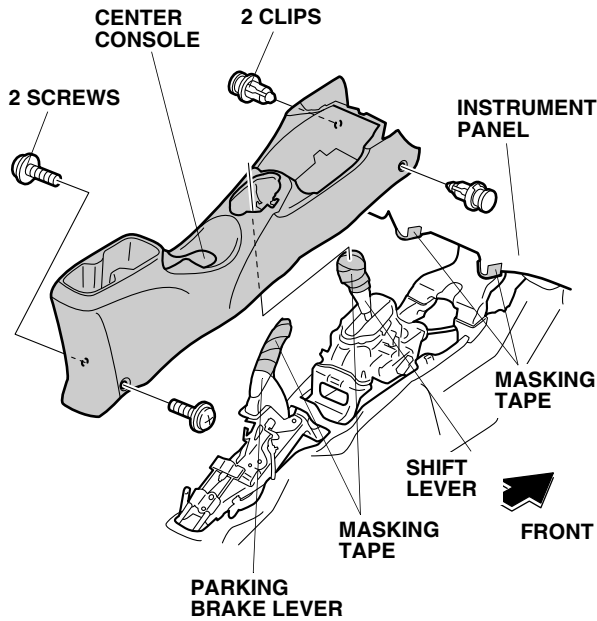
10. Remove the rubber mat from the center console.



11. Remove the parking brake lever trim (two retaining tabs and one hook).



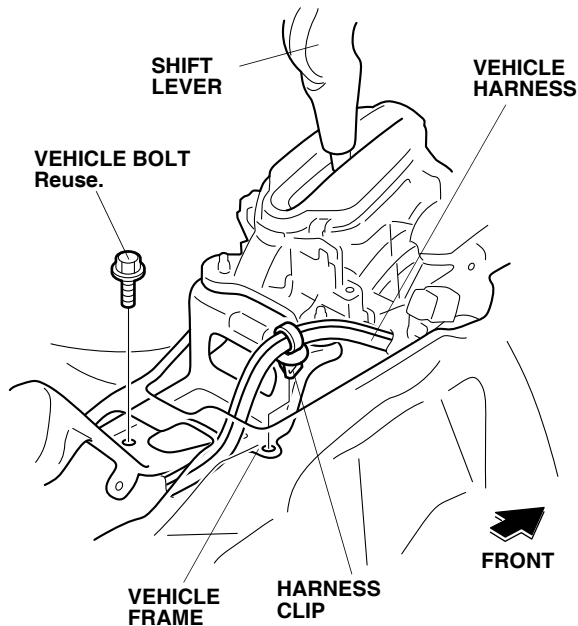
- Attach masking tape to the bottom edge of the instrument panel, around the shift lever, and the parking brake lever.



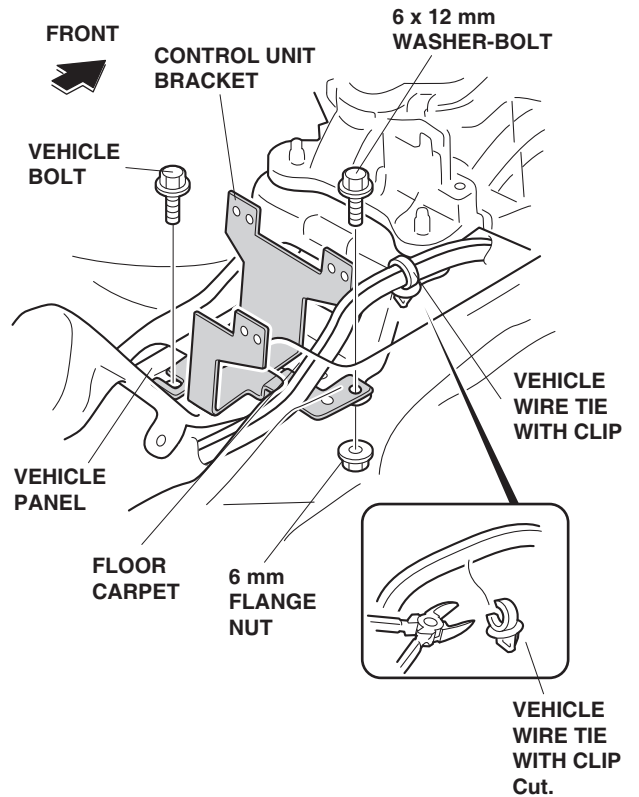
- Carefully remove the center console (two clips and two screws).

### Installing the Control Unit Bracket

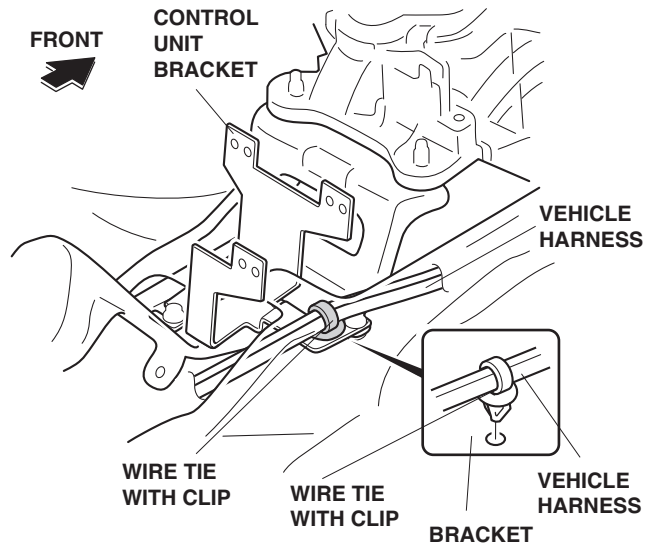
- Remove the rear bolt from the vehicle frame, and release the harness clip.



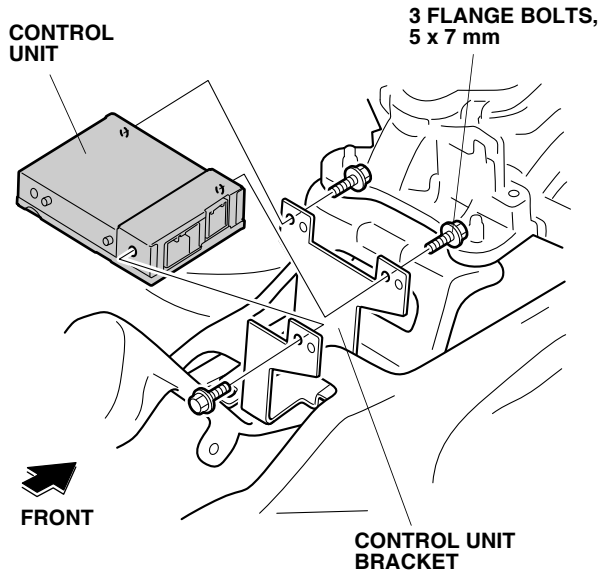
- Position the control unit bracket under the floor carpet as shown.



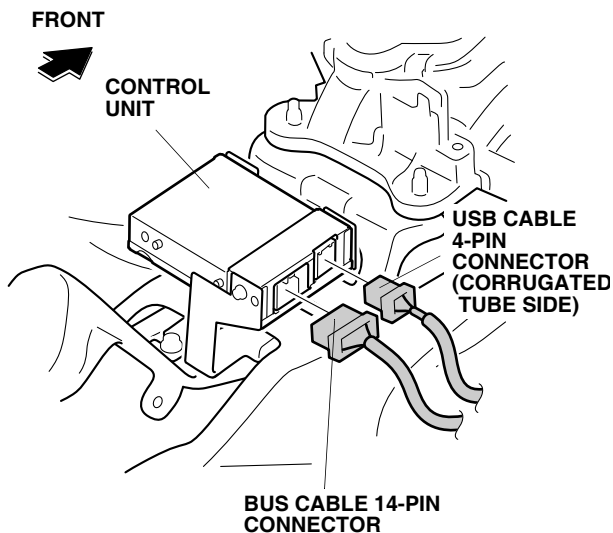
- Secure the control unit bracket to the vehicle frame with the vehicle bolt you removed in step 14, and one 6 x 12 mm washer-bolt with 6 mm flange nut as shown.
- Using diagonal cutters, cut and remove the original vehicle wire tie with clip.
- Secure the vehicle harness to the bracket with one new wire tie with clip.



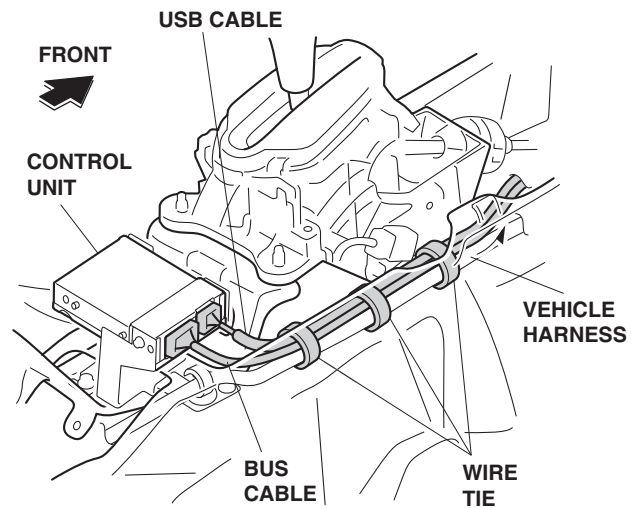
19. Install the control unit to the control unit bracket with three 5 x 7 mm flange bolts. Use a combination wrench to tighten three 5 x 7 mm flange bolts.



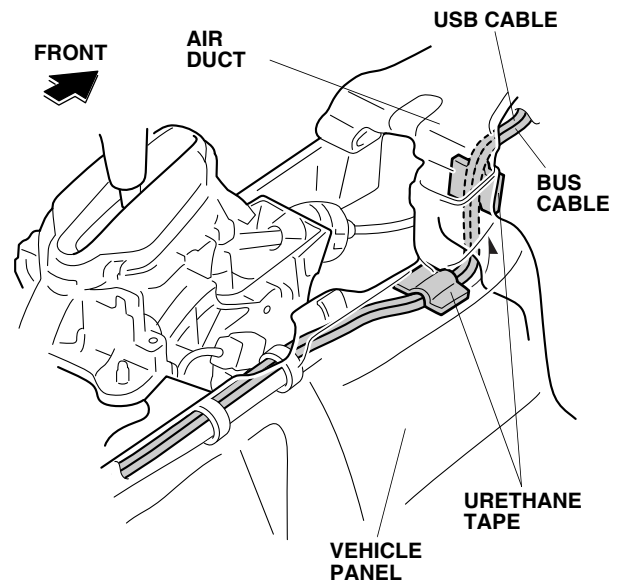
20. Plug the bus cable 14-pin connector and the USB cable 4-pin connector (corrugated tube side) into the control unit as shown.



21. Route the bus cable and the USB cable forward along the vehicle harness.

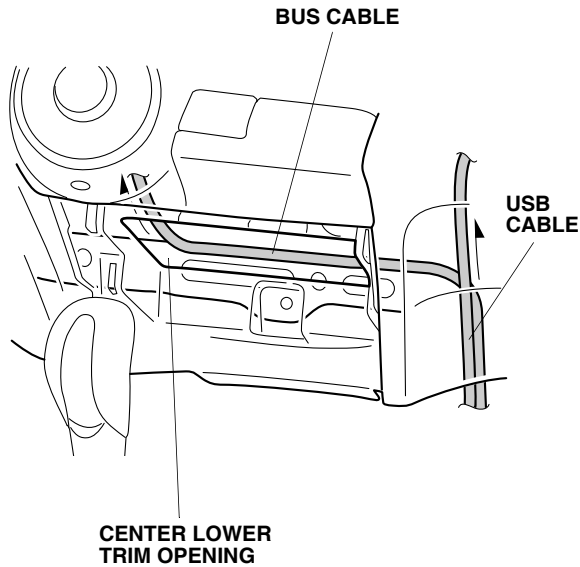


22. Secure the bus cable and the USB cable to the vehicle harness with three wire ties.  
NOTE: Do not attach the wire ties to the yellow-taped portion of the vehicle harness.
23. Continue routing the bus cable and the USB cable forward as shown.

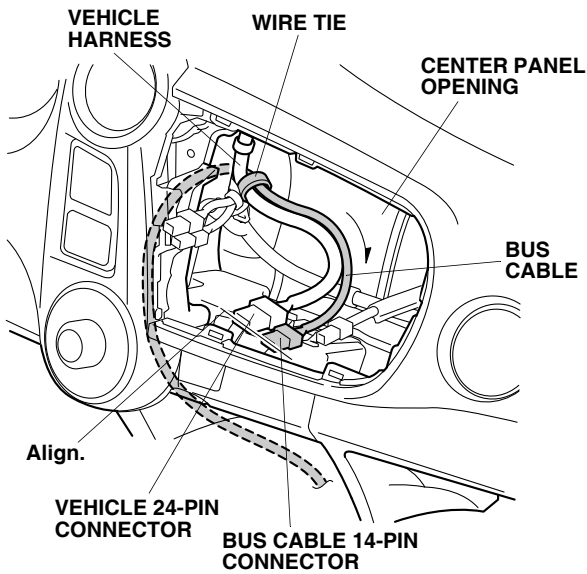


24. Remove the air duct, and using isopropyl alcohol on a shop towel, clean the areas on the floor and the back of the air duct where the urethane tape will attach.
25. Secure the bus cable and the USB cable to the vehicle panel and air duct with two pieces of urethane tape, then reinstall the air duct.

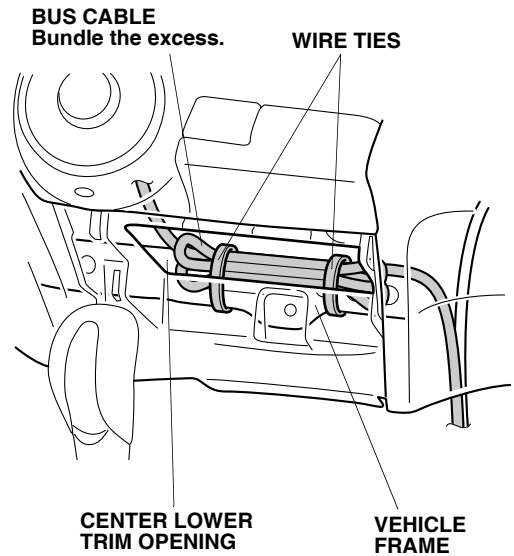
26. At the center lower trim opening, route the bus cable toward the center panel opening, and route the USB cable toward the glove box opening.



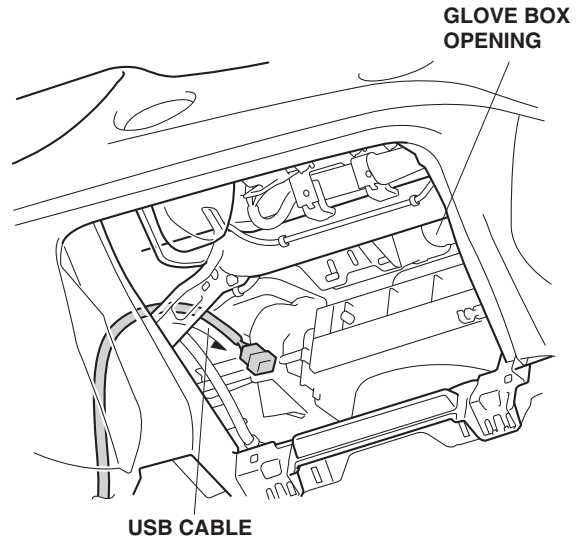
27. Align the bus cable 14-pin connector with the vehicle 24-pin connector, and secure the bus cable to the vehicle harness with one wire tie.



28. Bundle the excess bus cable, and secure it to the vehicle frame with two wire ties.

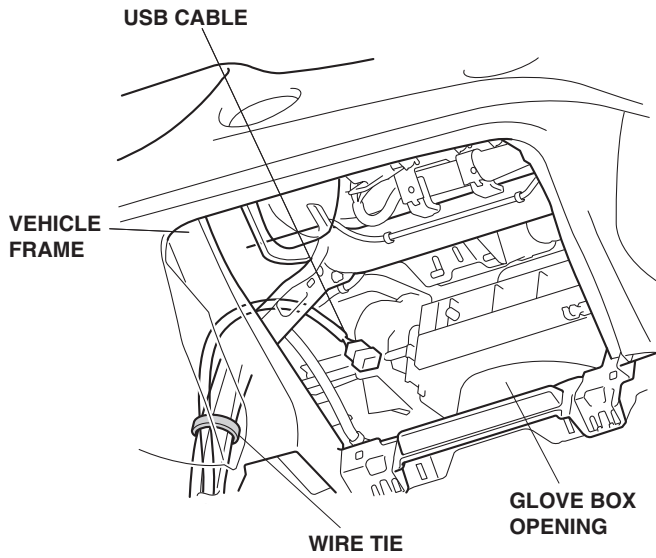


29. Route the USB cable into the glove box opening.

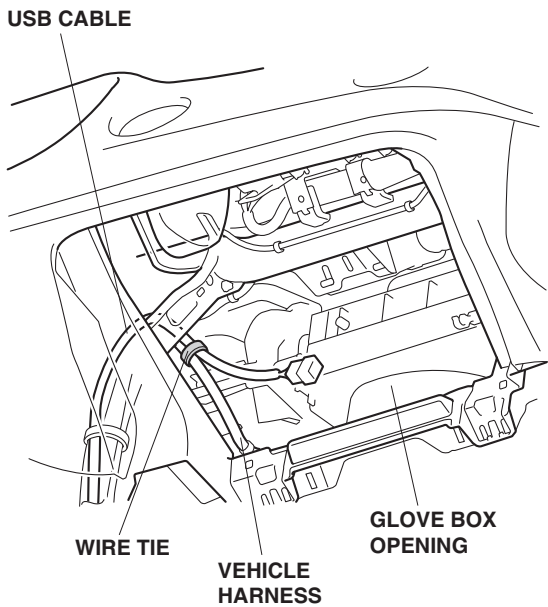




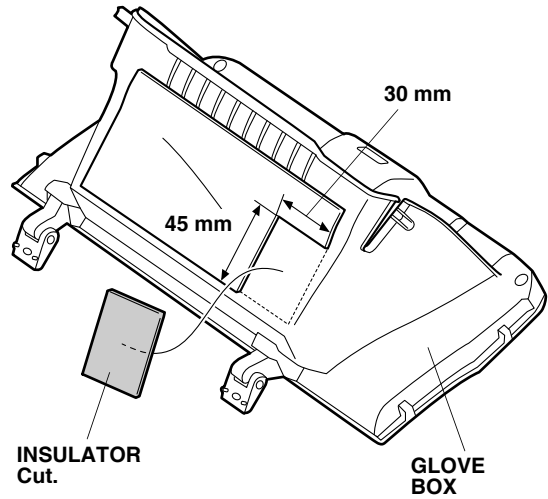
30. Secure the USB cable to the vehicle frame with one wire tie.



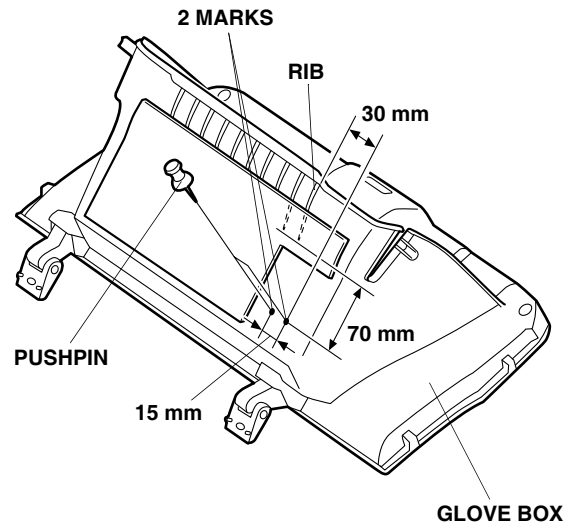
31. Secure the USB cable to the vehicle harness with one wire tie.



32. Get the glove box. Using a utility knife, cut out the insulator on the glove box at the measurement shown.

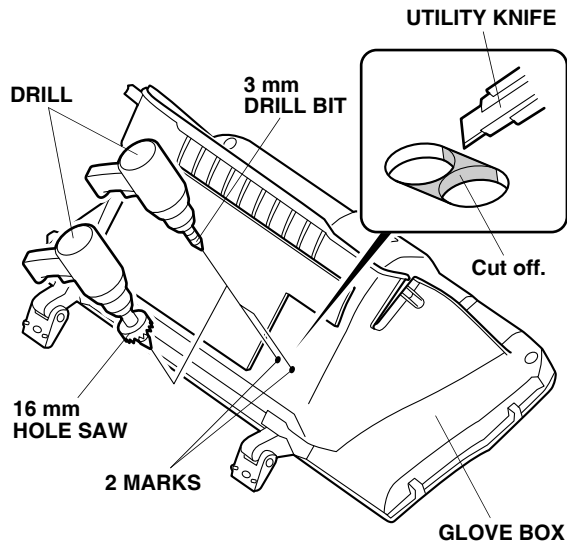


33. Using a pushpin, pierce the glove box in two places at the measurements shown.

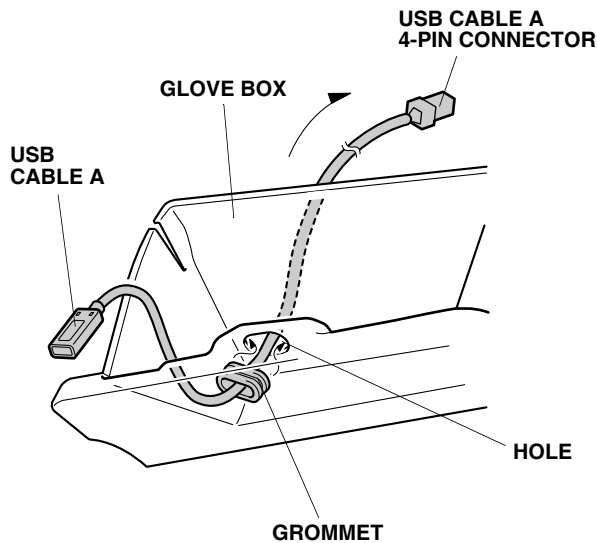




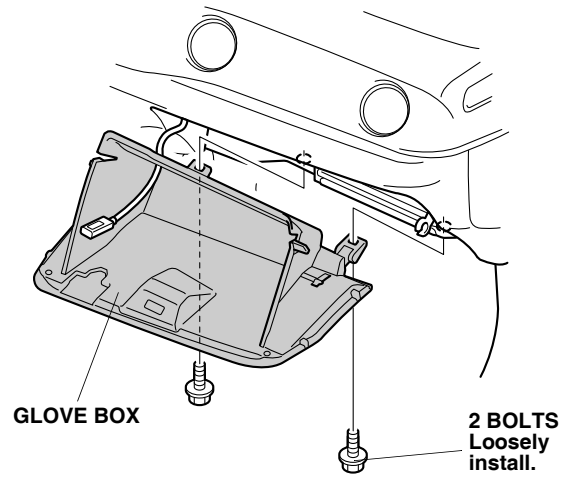
34. While wearing eye protection, drill the two pierced marks in the glove box. First drill with a 3 mm drill bit, and finish with a 16 mm hole saw. Use a utility knife to cut between the two 16 mm holes. Remove any burrs.



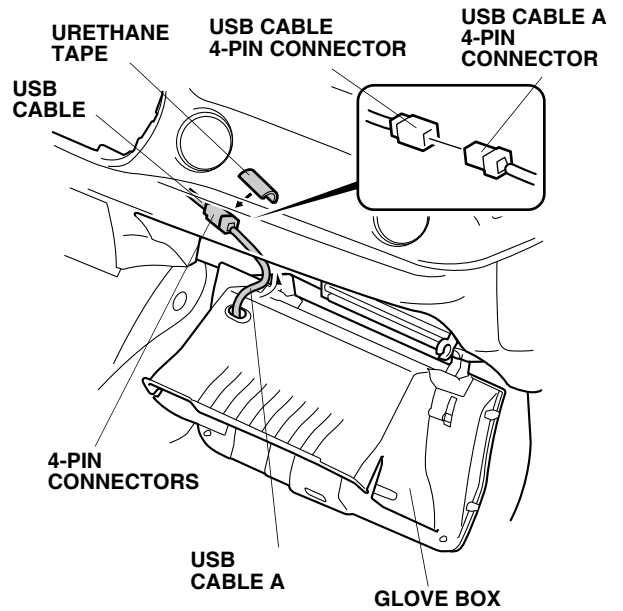
35. Route the 4-pin connector end of USB cable A through the hole in the glove box, and install the grommet. Seat the grommet into the hole in the glove box.



36. Loosely reinstall the glove box using the two bolts.

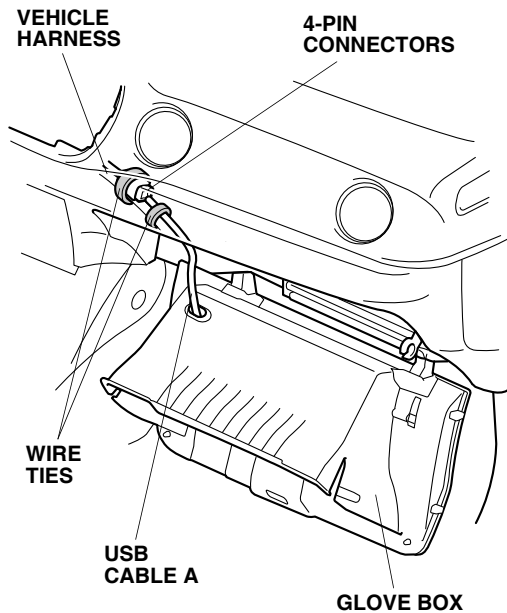


37. Plug the 4-pin connector from the USB cable A into the USB cable 4-pin connector as shown.

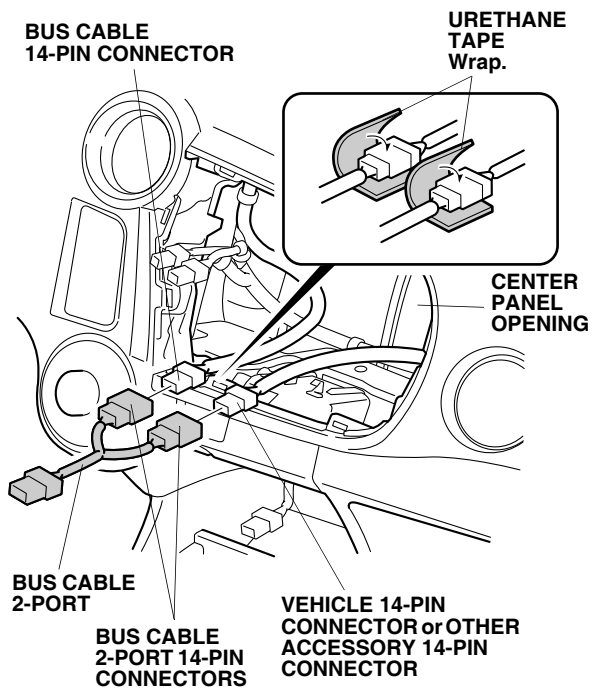


38. Wrap one urethane tape around the 4-pin connectors.

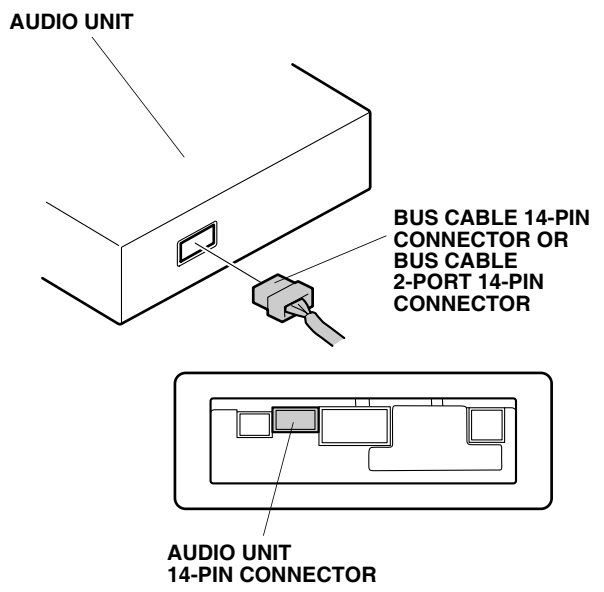
39. Secure the USB cable A and the 4-pin connectors to the vehicle harness with two wire ties.



40. Reinstall the glove box.  
*If the vehicle is equipped with another accessory that plugs into the 14-pin connector in the audio unit, continue with step 41, otherwise go to step 42.*
41. Plug the bus cable 14-pin connector and the other accessory 14-pin connector into the bus cable 2-port 14-pin connectors. Wrap one piece of urethane tape around each 14-pin connector.



42. Plug the bus cable 14-pin connector or bus cable 2-port 14-pin connector into the audio unit, and reinstall the audio unit.



43. Check that all wire harnesses are routed properly and all connectors are plugged in.
44. Connect the negative cable to the battery.
45. Enter the anti-theft code for the audio unit, and reset the clock.
46. Reinstall all removed parts.
47. Turn the radio unit ON. Set the mode to USB by pressing AUX until "USB" is shown on the radio display. If "USB NO DATA" is on the display, the unit is working properly.