

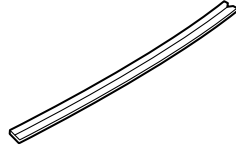


# INSTALLATION INSTRUCTIONS

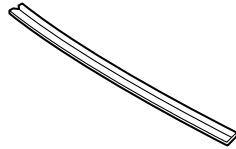
<b>Accessory</b> <b>DOOR EDGE FILMS</b> <b>P/N 08P20-TM8-100</b>	<b>Application</b> <b>2010 INSIGHT</b>	<b>Publications No.</b> <b>All 40877</b>
		<b>Issue Date</b> <b>MARCH 2009</b>

## PARTS LIST

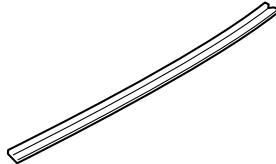
Right front door edge film



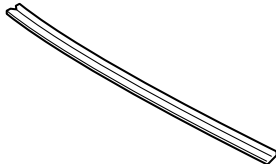
Left front door edge film



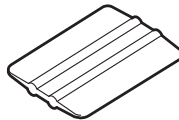
Right rear door edge film



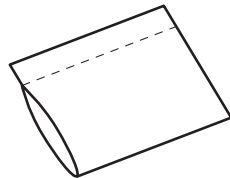
Left rear door edge film



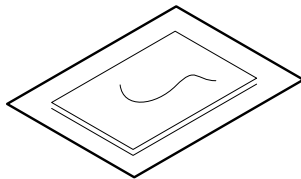
Applicator



Soft sleeve



2 Alcohol wipes



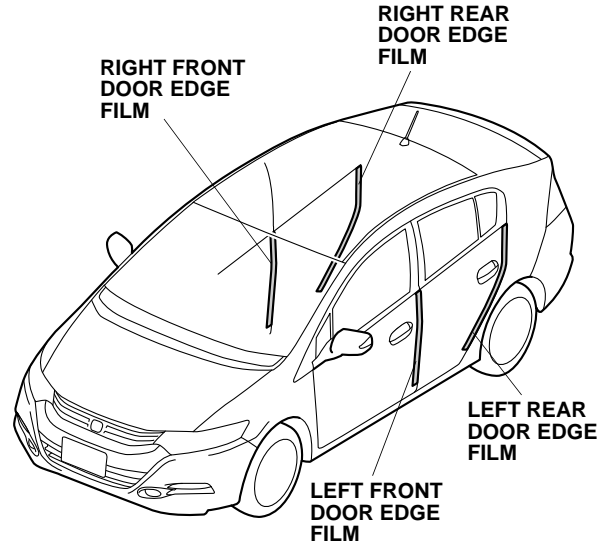
## TOOLS AND SUPPLIES REQUIRED

Shop towel

Spray bottle

3M Protective tape application solution

### *Illustration of the Door Edge Films Installed on the Vehicle*



## INSTALLATION

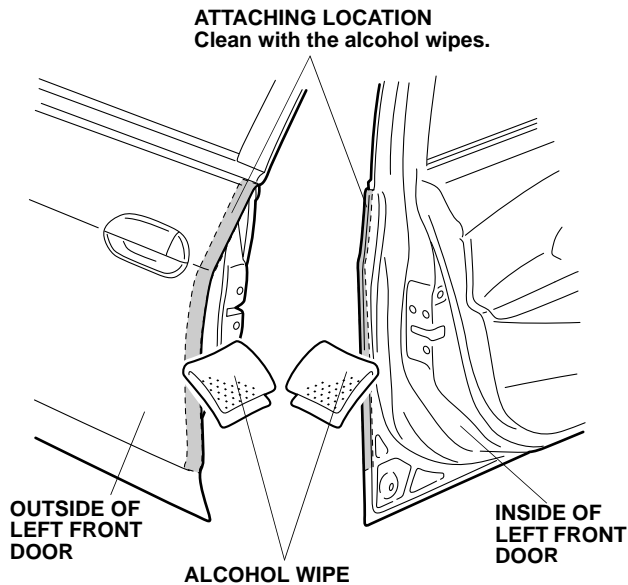
**Customer Information:** The information in this installation instruction is intended for use only by skilled technicians who have the proper tools, equipment, and training to correctly and safely add equipment to your vehicle. These procedures should not be attempted by "do-it-yourselfers."

### NOTE:

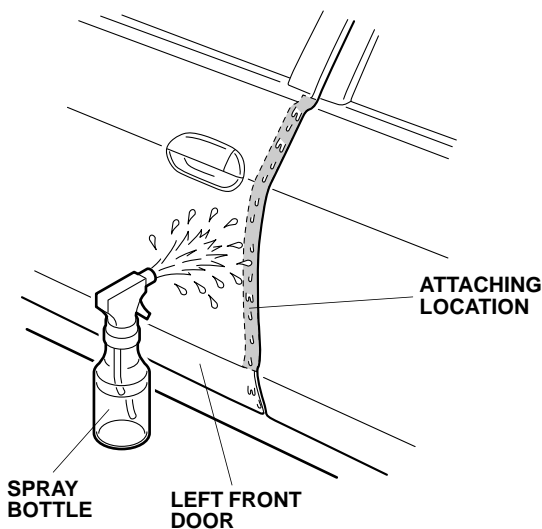
- These instructions show the left door edge films being installed. The same procedure applies to installing the right door edge films.
- Identify each door edge film by referring to the identification marks.
- Do not damage the body paint finish.
- To allow the adhesive to cure, Please advise your customer not to wash the vehicle for 24 hours.

## Installing the Front Door Edge Film

1. Open the left front door.

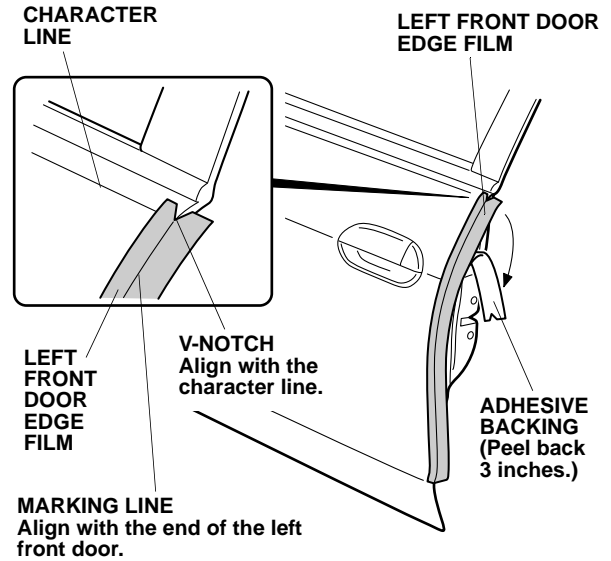


2. Using the alcohol wipe, thoroughly clean the door edge where the left front door edge film will attach.
3. Close the left front door.



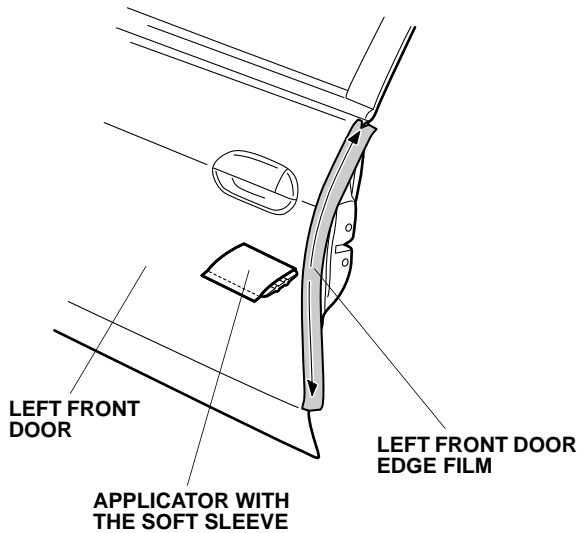
4. Using a spray bottle with 3M protective tape application solution, spray the area where the left front door edge film will attach.  
**NOTE:** Do not spray on the inside of the left front door where the left front door edge film will attach.

5. Open the left front door.

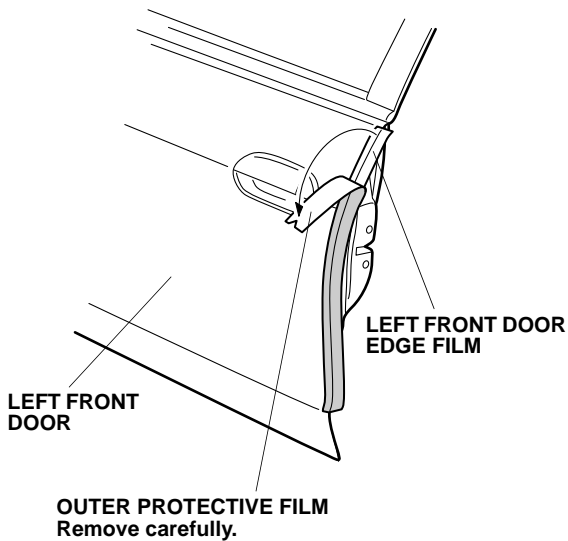


6. Peel back about 3 inches of the adhesive backing from the left front door edge film. Align the V-notch on the door edge film with the character line on the left front door.
7. When the alignment mark is correct, apply light pressure to the door edge film while you carefully remove the adhesive backing. Don't worry about wrapping the door edge film around the door at this time.

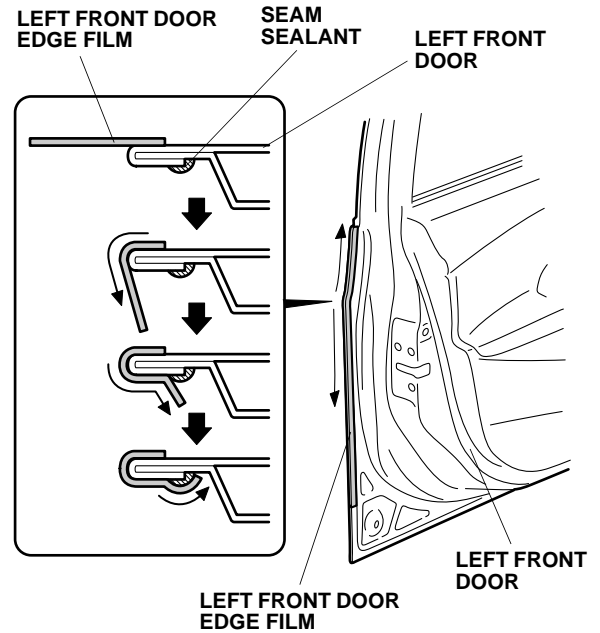
- Starting from the center and working outward, use the applicator with the soft sleeve to smooth out the left front door edge film. Move the applicator with the soft sleeve in only one direction.



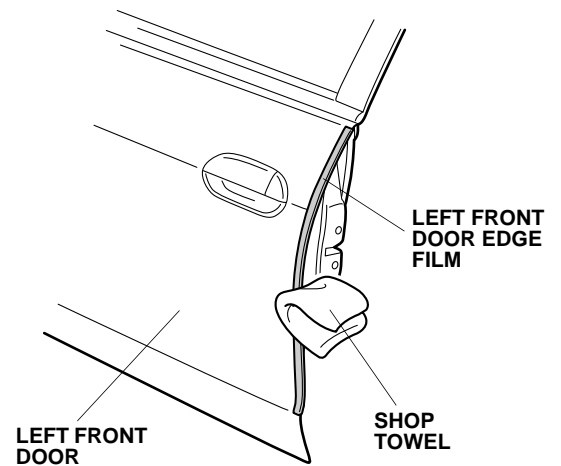
- Carefully remove the outer protective film from the left front door edge film.



- Starting from the center and working outward, fold the left front door edge film around the left front door edge. Move the applicator in only one direction. Be careful not to damage the door seal during this procedure.

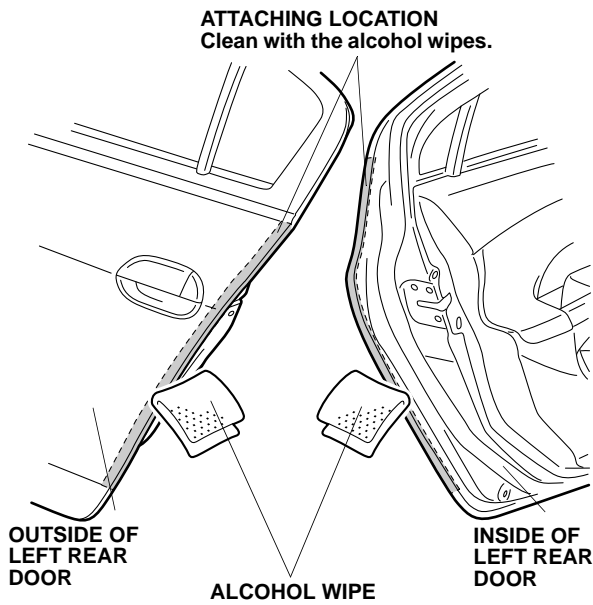


- Using a shop towel, wipe the 3M protective tape application solution from the left front door edge film. Allow the left front door edge film to dry thoroughly.

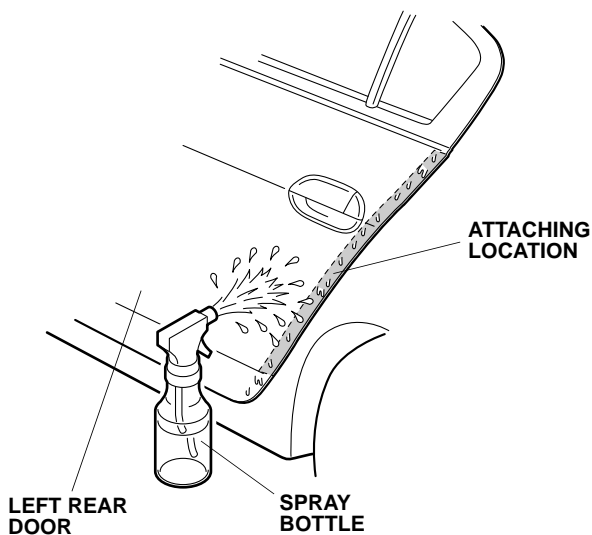


## Installing the Rear Door Edge Film

12. Open the left rear door.

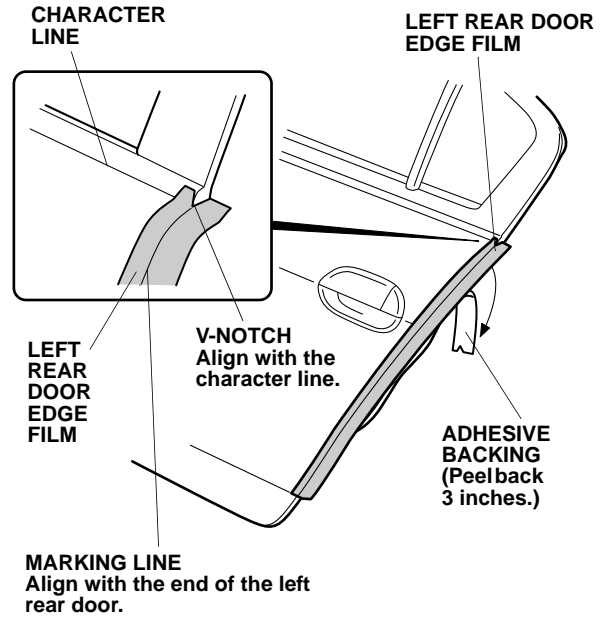


13. Using the alcohol wipe, thoroughly clean the area where the left rear door edge film will attach.
14. Close the left rear door.



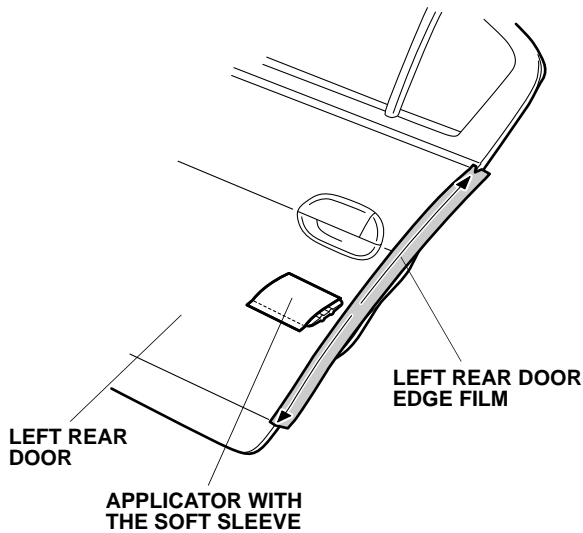
15. Using a spray bottle with 3M protective tape application solution, spray the area where the left rear door edge film will attach.  
**NOTE:** Do not spray on the inside of the left rear door where the left rear door edge film will attach.

16. Open the left rear door.

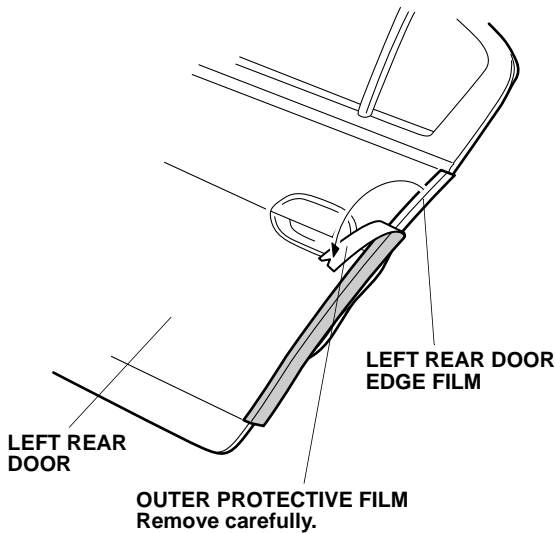


17. Peel back about 3 inches of adhesive backing from the left rear door edge film. Align the V-notch on the door edge film with the character line on the left rear door.
18. When the alignment is correct, apply light pressure to the door edge film while you carefully remove the adhesive backing. Don't worry about wrapping the door edge film around the door at this time.

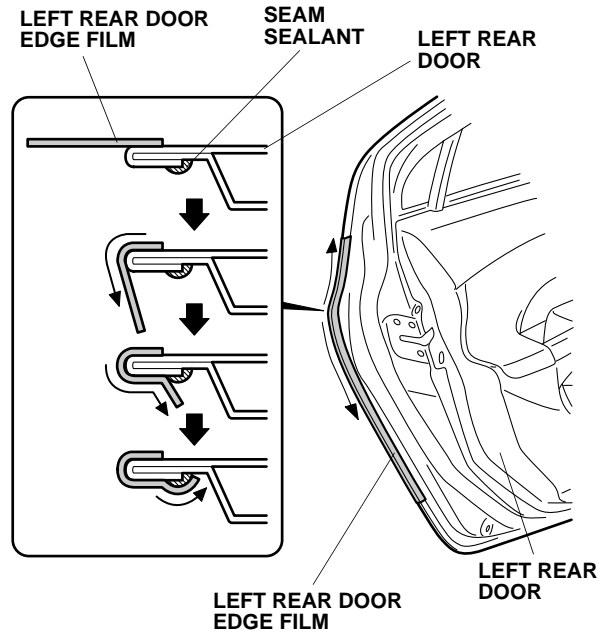
- Starting from the center and working outward, use the applicator with the soft sleeve to smooth out the left rear door edge film. Move the applicator with the soft sleeve in only one direction.



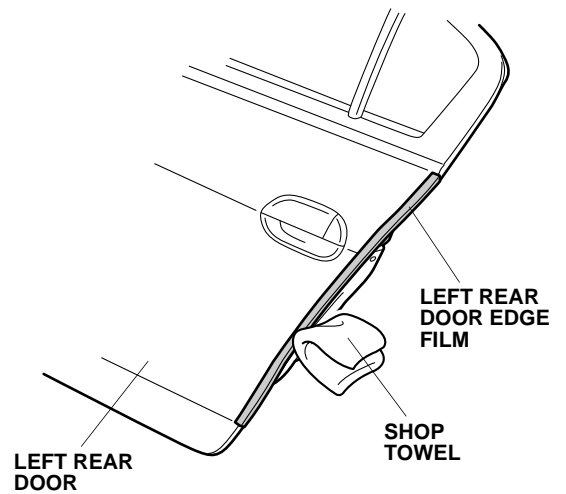
- Carefully remove the outer protective film from the left rear door edge film.



- Starting from the center and working outward, fold the left rear door edge film around the left rear door edge. Move the applicator in only one direction. Be careful not to damage the door seal during this procedure.



- Using a shop towel, wipe the 3M protective tape application solution from the left rear door edge film. Allow the left rear door edge film to dry thoroughly.



- Repeat steps 1 through 22 to install the door edge film on the right side of the vehicle.