



# INSTALLATION INSTRUCTIONS

Accessory  
**REMOTE CONTROL ENGINE STARTER**

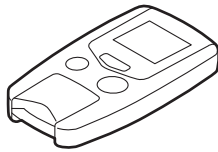
Application  
**2009 CR-V**

Publications No.  
**All 40429**  
Issue Date  
**AUG 2008**

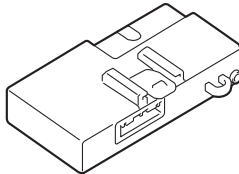
## PARTS LIST

**Remote Engine Starter Kit**  
**P/N 08E91-E22-100B**

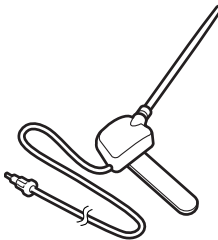
Transmitter



Control unit



Antenna



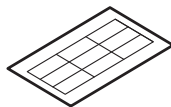
Key ring



Protective tape



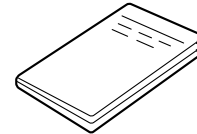
Fuse label



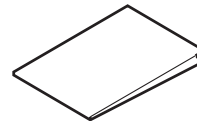
Caution label



Accessory User's Information Manual

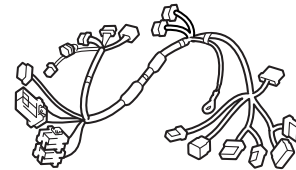


Quick Start Guide

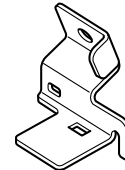


**Remote Control Engine Starter Attachment (With Vehicle Security)**  
**P/N 08E92-SWA-100**

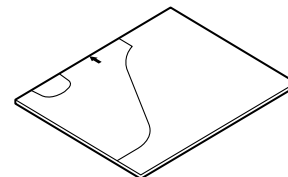
Engine starter harness



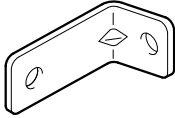
Control unit bracket



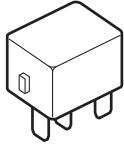
Template



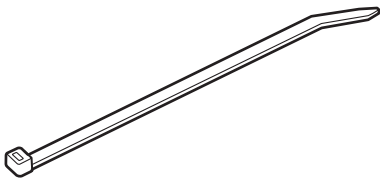
Bracket



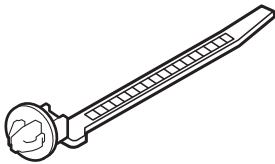
3 Relays



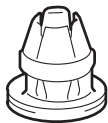
19 Wire ties



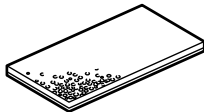
2 Wire ties with clips



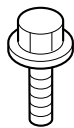
Clip



11 Foam cushion tapes



Washer bolt, 6 x 12 mm

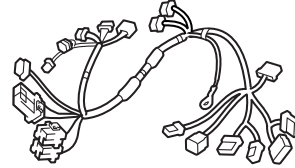


Flange nut, 6 mm

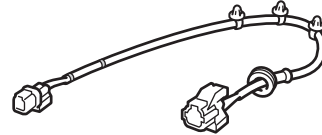


**Remote Engine Starter Attachment Kit  
(Without Vehicle Security)  
P/N 08E92-SWA-100A**

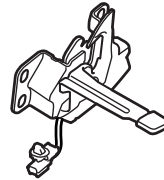
Engine starter harness



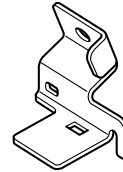
Hood switch harness



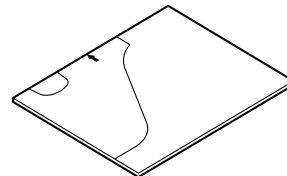
Hood lock



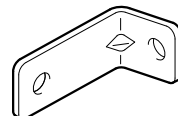
Control unit bracket



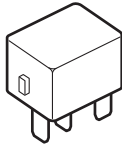
Template



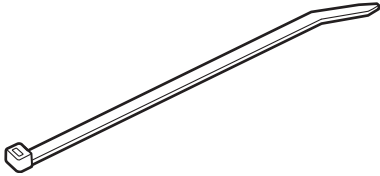
Bracket



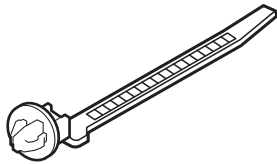
3 Relays



25 Wire ties



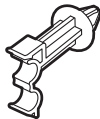
2 Wire ties with clips



Clip A



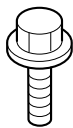
Clip B



11 Foam cushion tapes



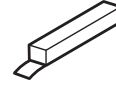
Washer bolt, 6 x 12 mm



Flange nut, 6 mm



2 Spacers

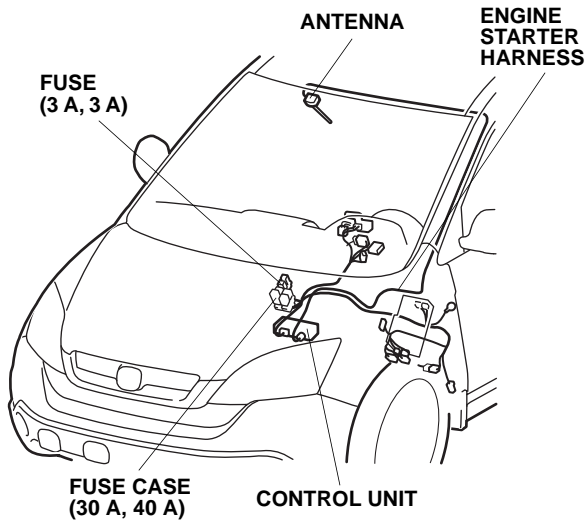


**TOOLS AND SUPPLIES REQUIRED**

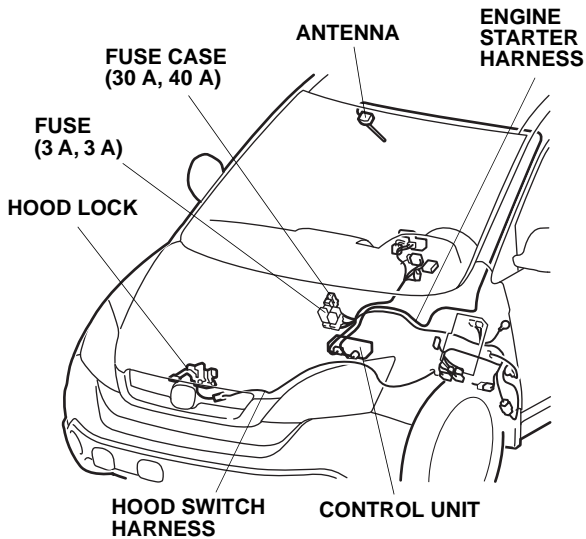
- #2 Phillips screwdriver
- Flat-tip screwdriver
- Diagonal cutters
- Ratchet
- 8 mm Socket
- 10 mm Socket
- 12 mm Deep socket
- 10 mm Combination wrenches
- 10 mm Wrench
- Hook tool
- Felt-tip pen
- Isopropyl alcohol
- Electrical tape
- Scissors
- Small flat-tip screwdriver
- T25 Torx bit
- Shop towel
- Scale
- Rubber mallet
- HDS (Honda Diagnostic System)
- Torque wrench
- Fender cover
- Masking tape
- Needle nose pliers

## Illustration of the Engine Starter Installed on the Vehicle

### With Vehicle Security



### Without Vehicle Security



## INSTALLATION

**Customer Information:** The information in this installation instruction is intended for use only by skilled technicians who have the proper tools, equipment, and training to correctly and safely add equipment to your vehicle. These procedures should not be attempted by “do-it-yourselfers.”

**NOTE:** This antenna should only be installed if the ambient air temperature 15°C (60°F) or above.

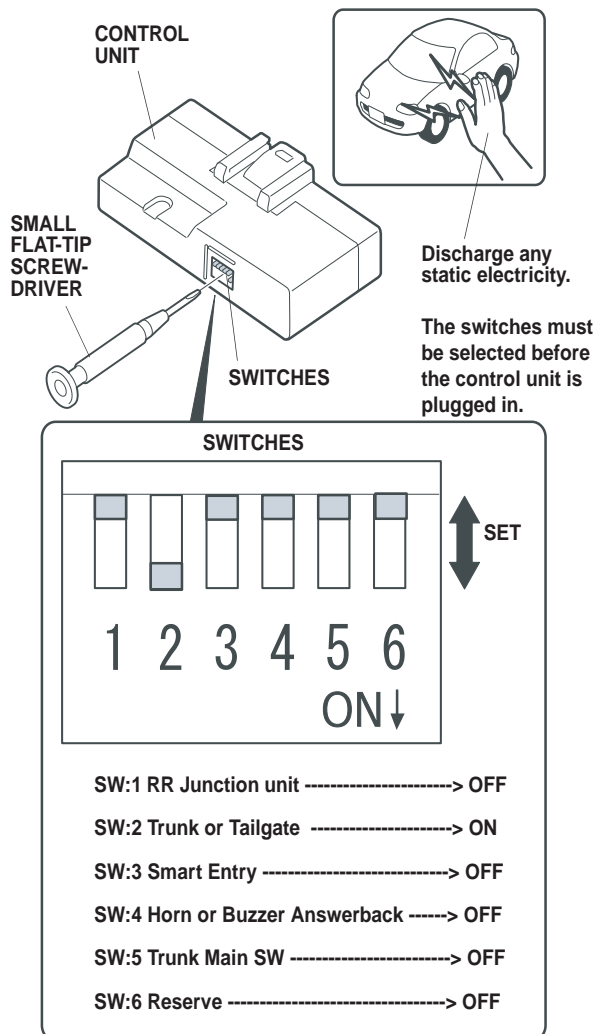
1. Make sure you have the anti-theft code for the radio, then write down the frequencies for the preset buttons.
2. Disconnect the negative cable from the battery.

## Setting the Control Unit

- Get the control unit. Using a small flat-tip screwdriver, adjust the switches on the (accessory) control unit to the locations shown. Using isopropyl alcohol on a shop towel, clean the area where the protective tape will attach. Remove the adhesive backing, and attach the protective tape to the control unit.

### NOTE:

- The switches must be selected before the control unit is plugged in.
- If the switch setting is not correct, the engine starter will not operate properly.
- If setting the switches with the control unit installed in the vehicle, touch a metal part of the screwdriver to any metal part of the vehicle to discharge any static electricity.
- If you change the switch settings with the unit connected, you must disconnect the unit then reconnect it before the settings change.



SW:1 RR Junction Unit

SW:2 Trunk or Tailgate

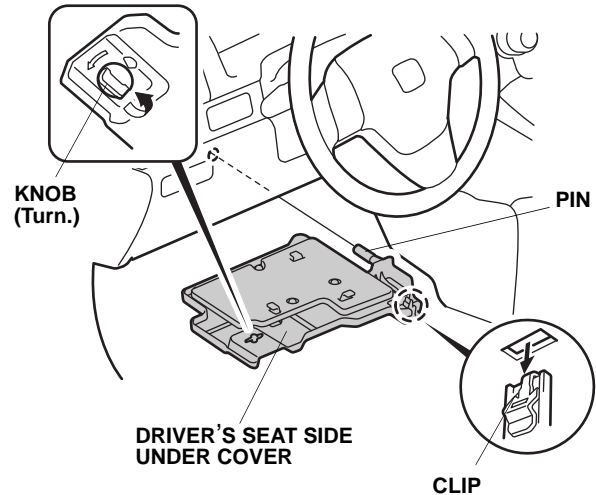
SW:3 Smart Entry

SW:4 Horn or Buzzer Answer Back

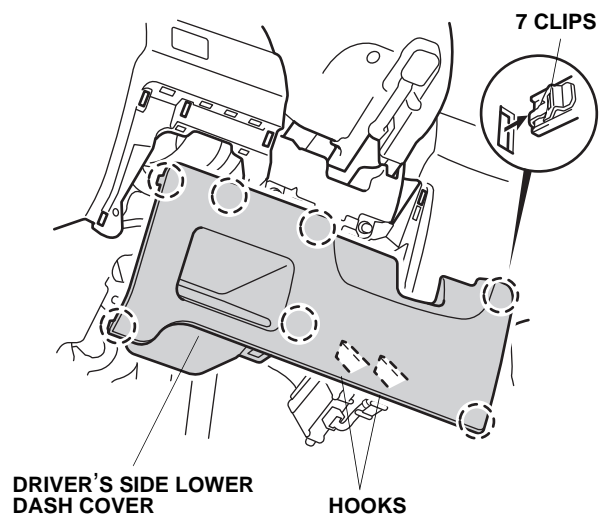
SW:5 Trunk Main SW

SW:6 Reserve

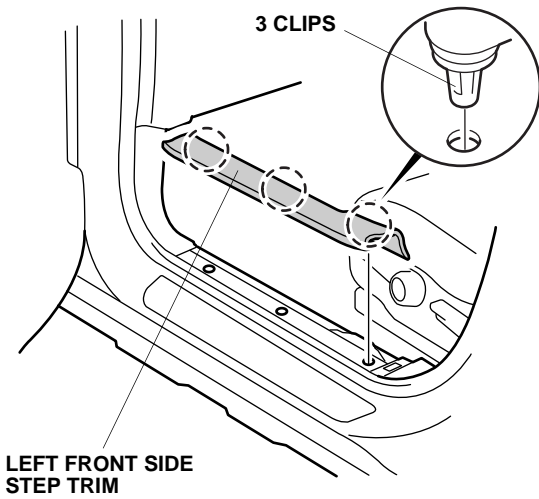
- Turn the knob of the driver's seat side under cover. Remove the driver's seat side under cover (a pin and a clip).



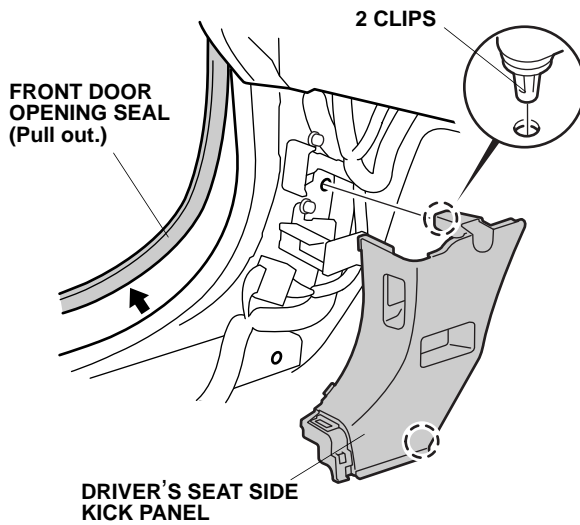
- Remove the driver's side lower dash cover (seven clips and two hooks). Take care not to damage the clips and hooks.



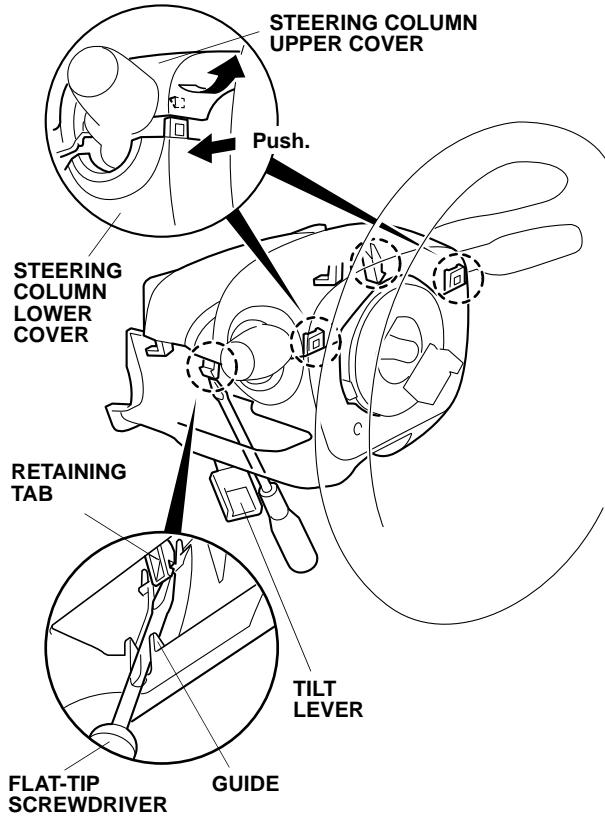
- Remove the left front side step trim (three clips).



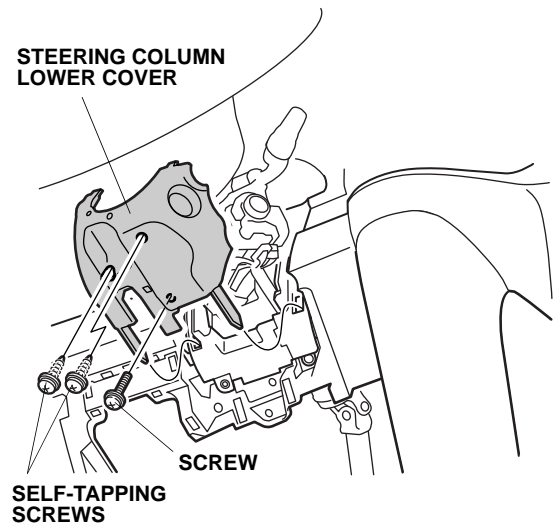
- Pull out the front door opening seal and remove the driver's seat side kick panel (two clips).



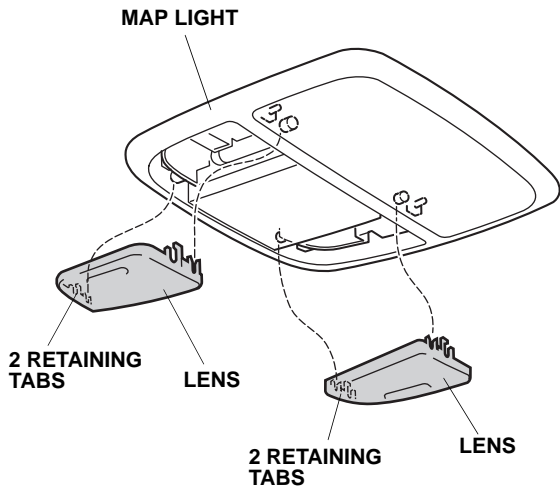
- Lower the tilt lever and pull steering wheel outward. Insert a flat-tip screwdriver into the guide on the under side of the steering column lower cover and release the retaining tab.
- Remove the steering column upper cover (four retaining tabs).



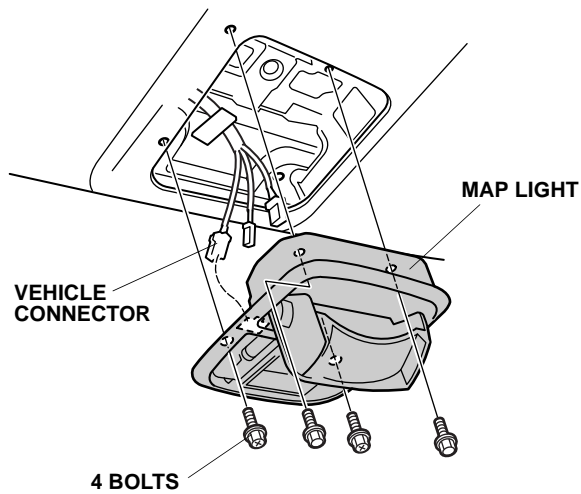
- Remove the steering column lower cover (two self-tapping screws and one screw).



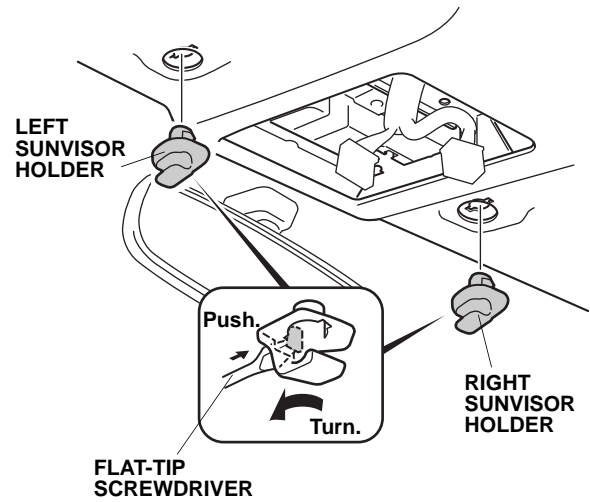
- Remove the map light lenses (two retaining tabs each).



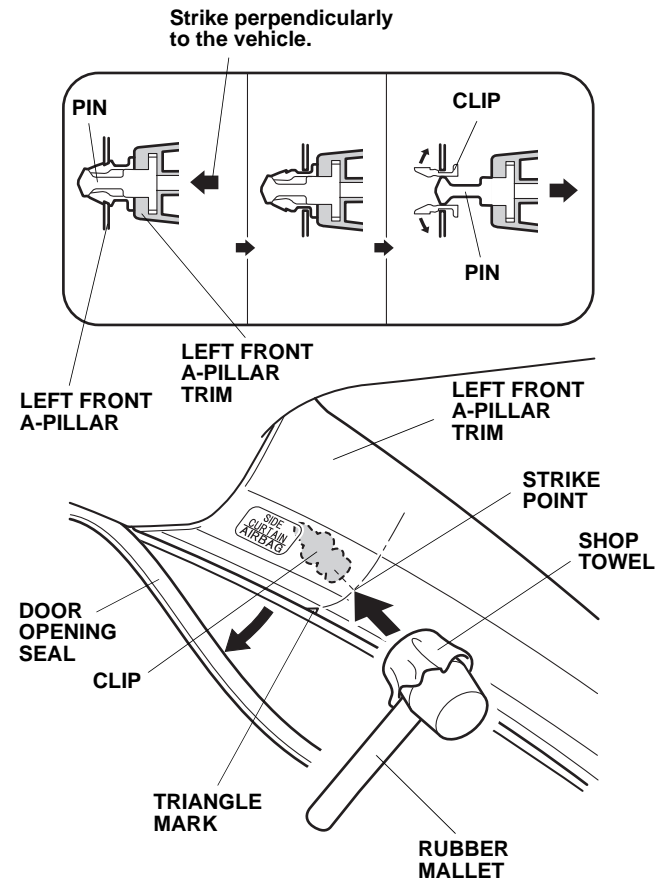
- Remove the map light (four bolts and disconnect the vehicle connectors).



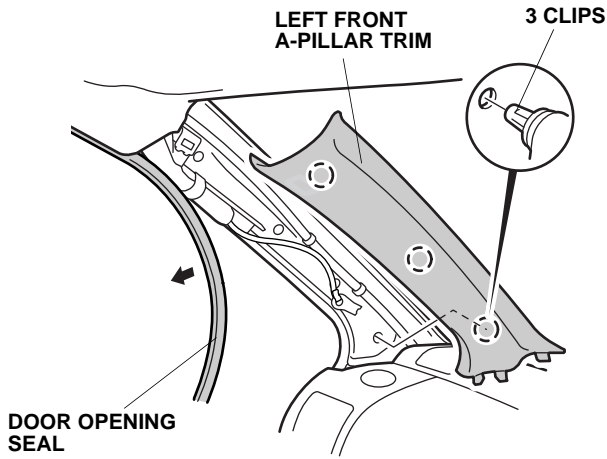
- Using a flat-tip screwdriver, remove the right and left sunvisor holders.



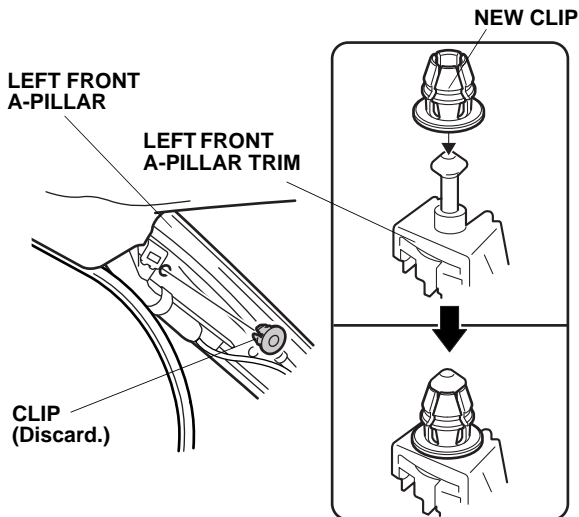
- Pull away the weatherstrip from the left front A-pillar trim.



- Using a small rubber mallet and a shop towel, gently tap the left front A-pillar trim at the position shown to release the clip.
- Pull away the weatherstrip from the left front A-pillar trim. Remove the left front A-pillar trim (two clips).

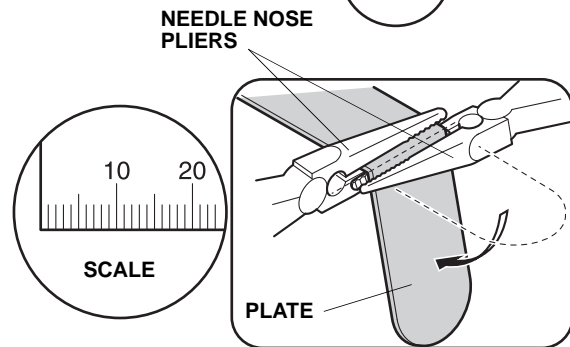
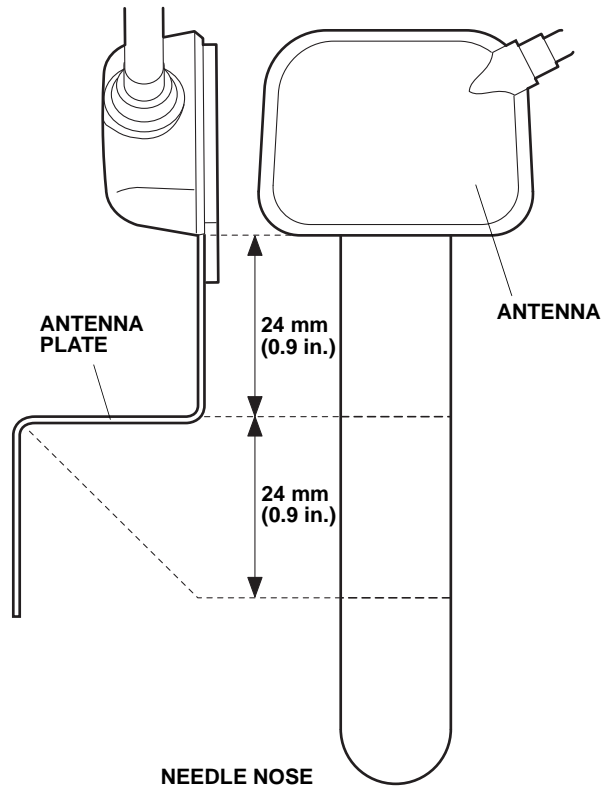


- Remove and discard the clip from the left front A-pillar, and install a new A-pillar (supplied) clip on the left front A-pillar trim.



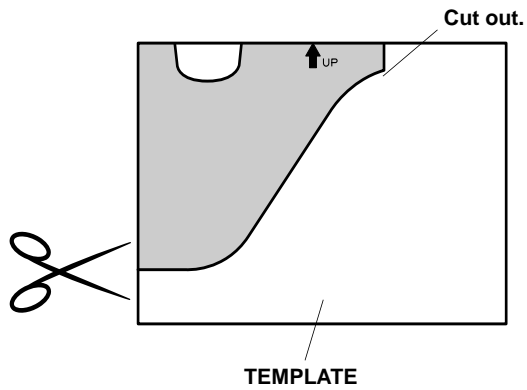
## Installing the Antenna

- Using two pairs of needle nose pliers, bend the antenna plate according to the dimensions shown.

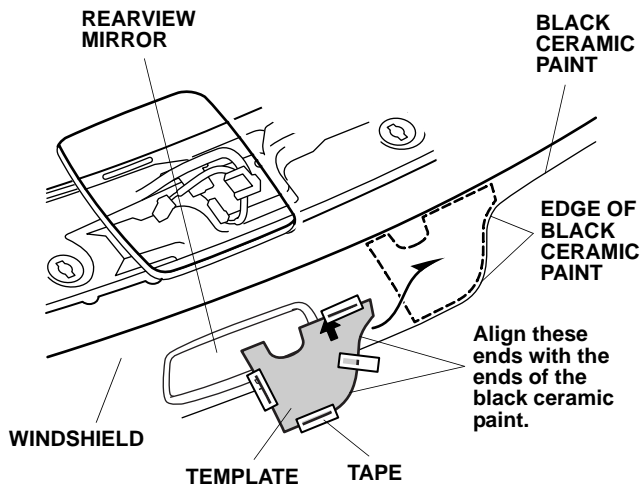




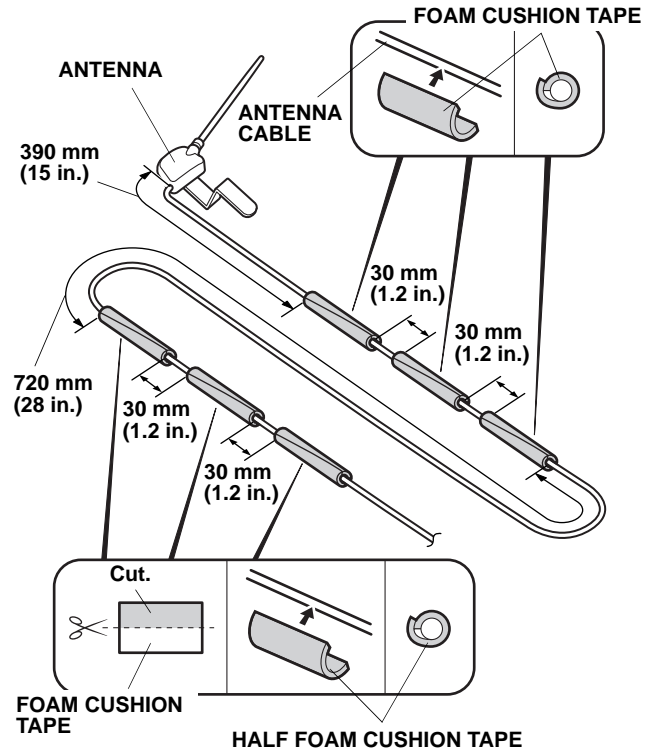
19. Using scissors, cut out the template.



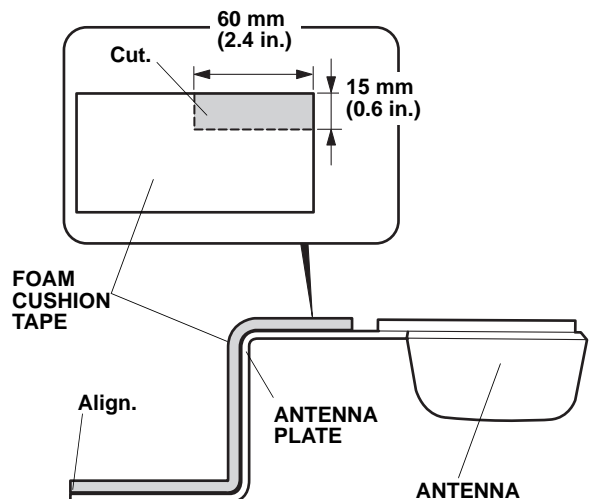
20. Using tape, secure the template to the windshield by aligning it with the edge of the black ceramic paint.



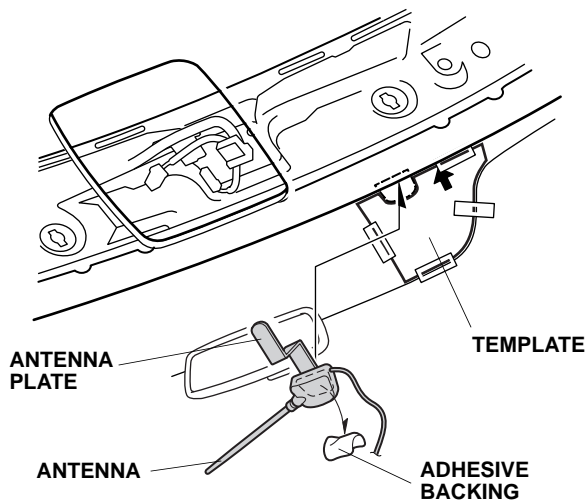
21. Starting near the end of the antenna cable, wrap three foam cushion tapes and three half foam cushion tapes around the antenna cable at the measurements shown.



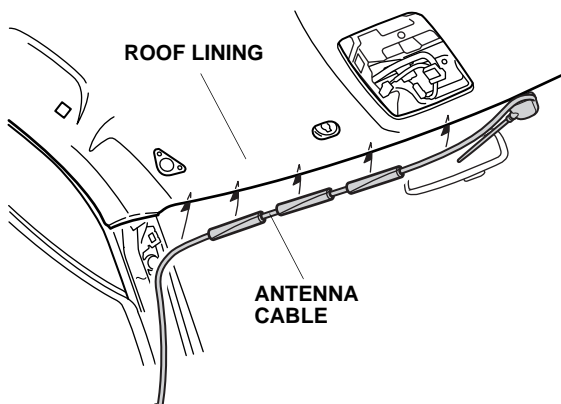
22. Using scissors, cut one foam cushion tape to the measurement shown. Attach the cut piece of foam cushion tape to the antenna plate as shown.



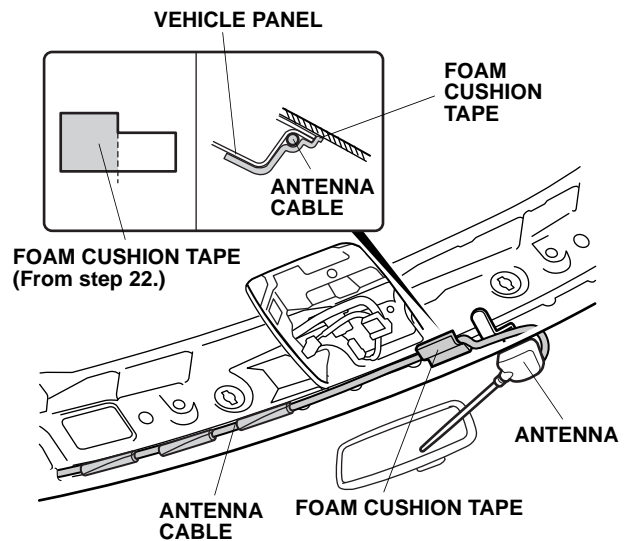
23. Using isopropyl alcohol on a shop towel, clean the area where the antenna will attach. Allow the alcohol to dry before proceeding.



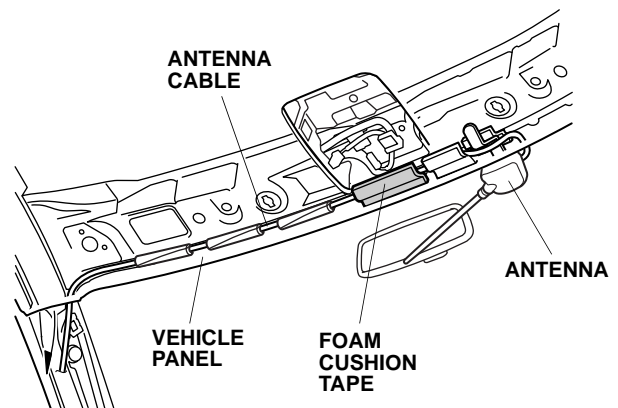
24. Remove the adhesive backing from the antenna, insert the antenna plate under the roof lining, and attach the antenna to the windshield aligning the template.
25. Remove the template.
26. Push the antenna cable into the roof lining as shown. Be careful not to crease the roof lining.



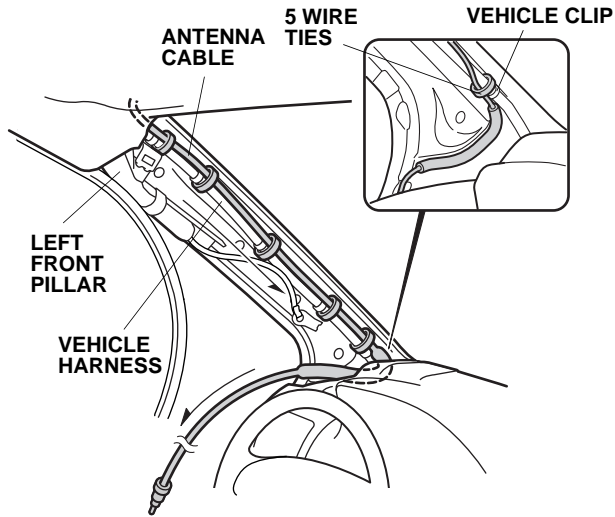
27. Clean the vehicle panel surface where the foam cushion tape will attach using isopropyl alcohol. Secure the antenna cable to the vehicle panel with the remaining piece of foam cushion tape you cut in step 21. Be careful not to crease the roof lining.



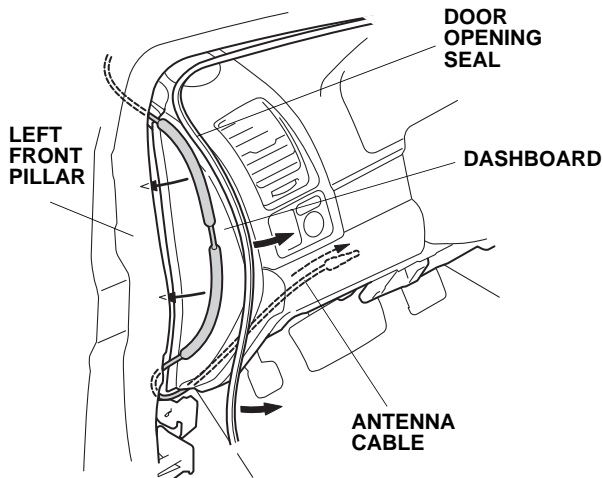
28. Clean the vehicle panel surface where the foam cushion tape will attach using isopropyl alcohol. Secure the antenna cable to the vehicle panel using one foam cushion tape. Be careful not to crease the roof lining.



29. Route the antenna cable along the left front A-pillar and secure it to the vehicle harness with the five wire ties as shown.

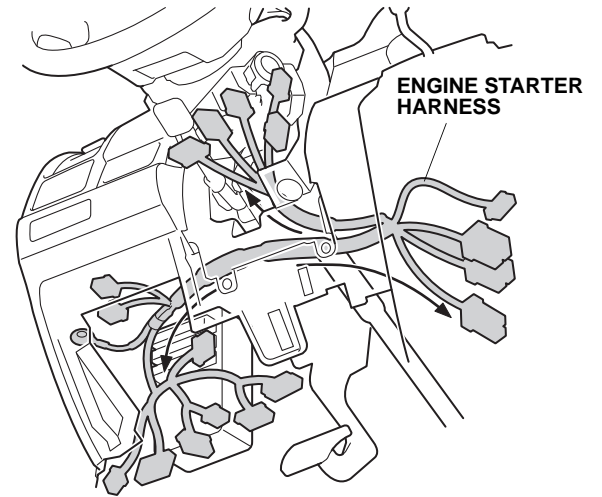


30. Pull away the door opening seal. Route the antenna cable down under the dashboard. Tuck the antenna cable between the left front pillar and the dashboard, and reinstall the door opening seal.

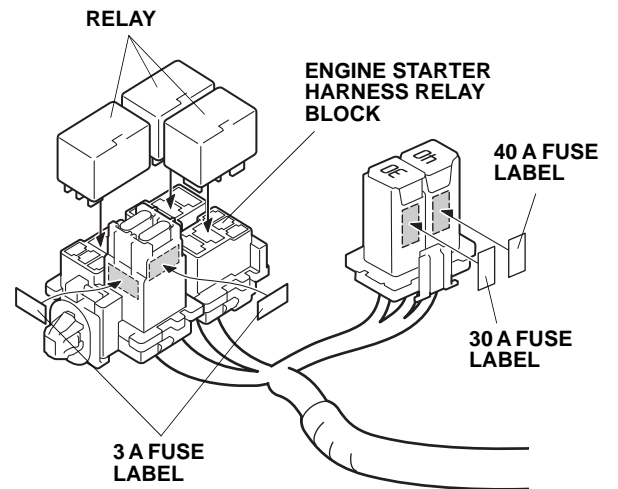


### Routing the Engine Starter Harness

31. Route the engine starter harness under the dashboard area as shown.

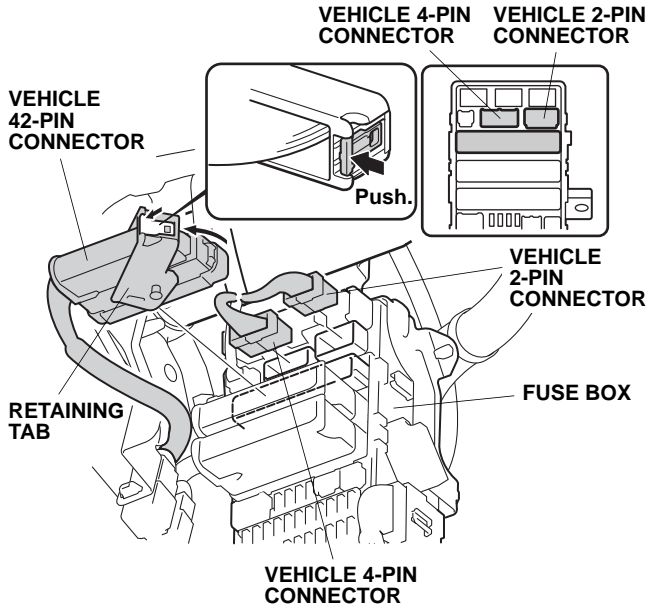


32. Attach the 30 A, 40 A, and 3 A fuse labels to the relay block and the fuse case of the engine starter harness.

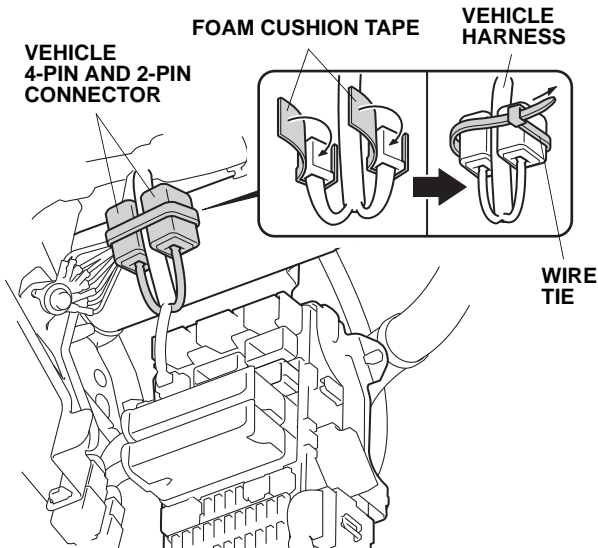


33. Install the three relays to the relay block of the engine starter harness.

34. Unlock the vehicle 42-pin connector by pushing the retaining tab on the connector, and disconnect the connector from the fuse box.



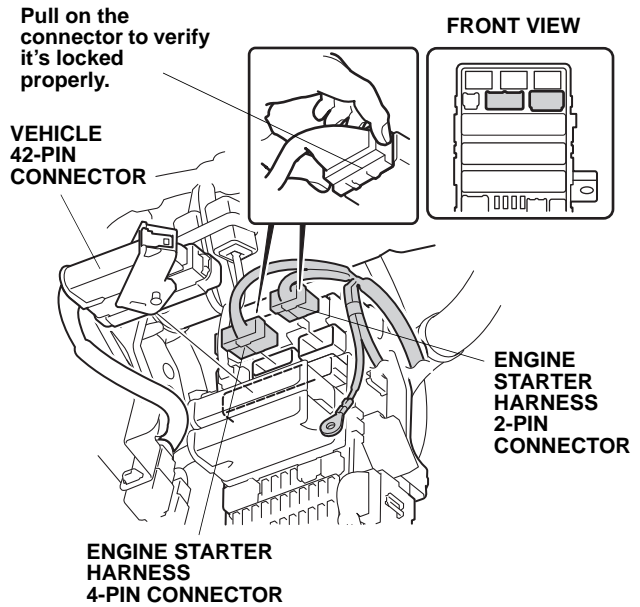
35. Disconnect the vehicle 4-pin connector, and the 2-pin connector from the top of the fuse box.
36. Wrap one foam cushion tape around the vehicle 4-pin connector and one around the 2-pin connector.



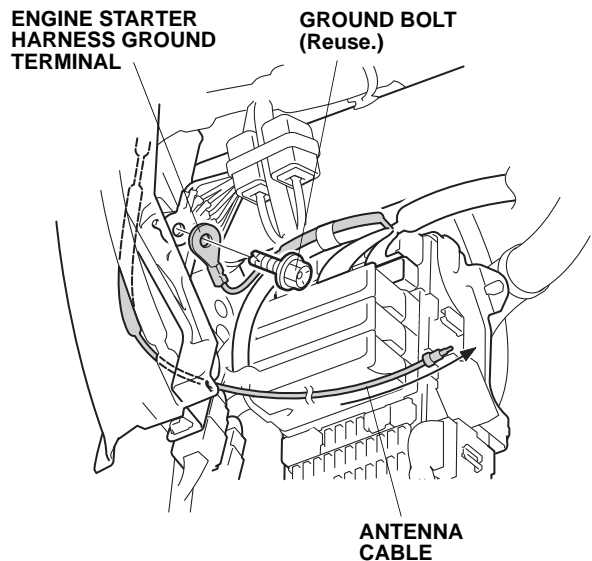
37. Secure the vehicle 4-pin connector and 2-pin connector to the vehicle harness using one wire tie.

38. Plug the engine starter harness 4-pin and 2-pin connectors into the fuse box.

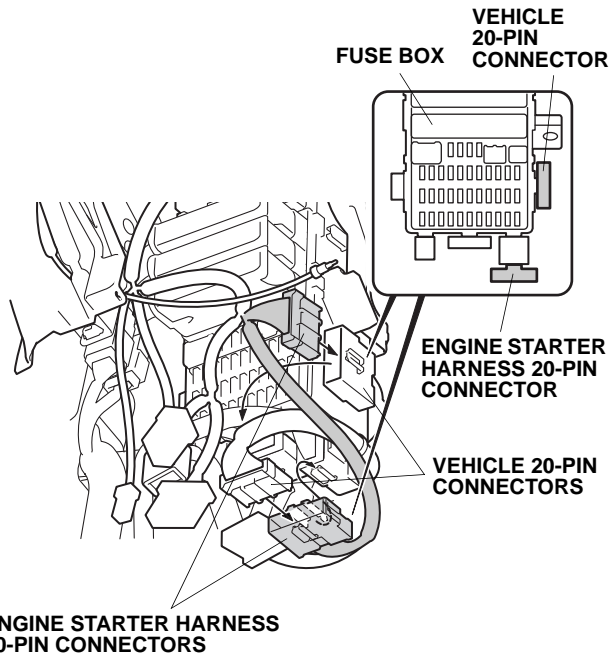
**NOTICE** Check that the engine starter harness 4-pin and 2-pin connectors are connected to the fuse box and they are locked securely. A loose connector can cause an engine to stall.



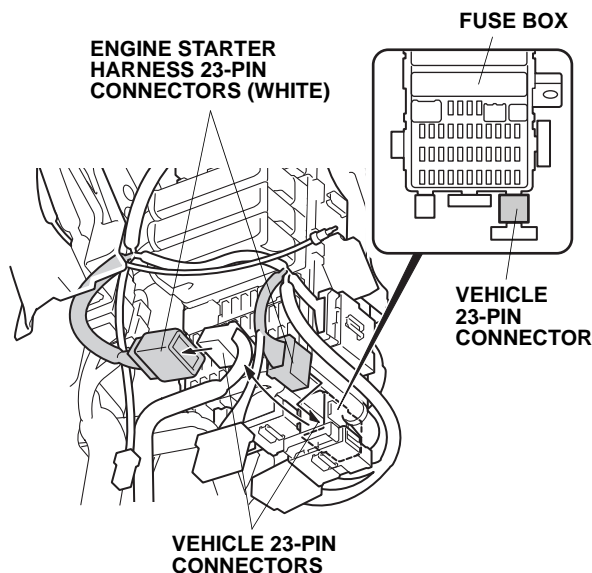
39. Reconnect the vehicle 42-pin connector to the fuse box.
40. Route the antenna cable as shown.



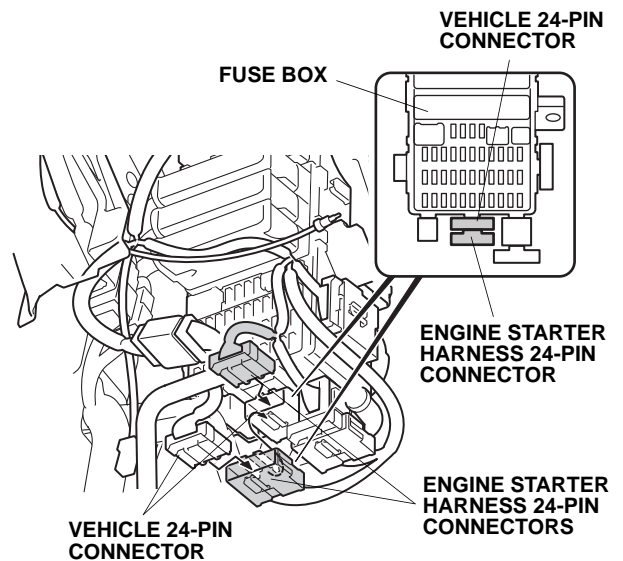
41. Remove the ground bolt from the vehicle. Secure the engine starter harness ground terminal using the ground bolt you just removed.
42. Disconnect the vehicle 20-pin connectors from the right side of the fuse box, and plug them into the engine starter harness 20-pin connectors.



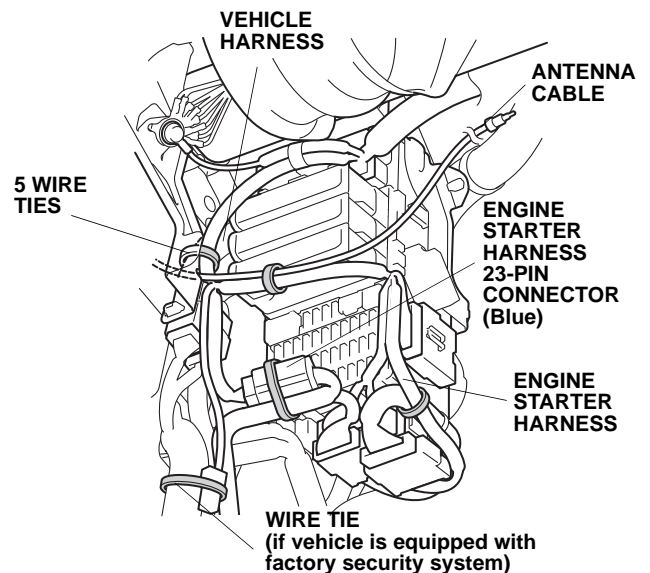
43. Disconnect the vehicle 23-pin connectors from under the fuse box, and plug them into the engine starter harness 23-pin connectors (white).



44. Disconnect the vehicle 24-pin connectors from under the fuse box, and plug them into the engine starter harness 24-pin connectors.

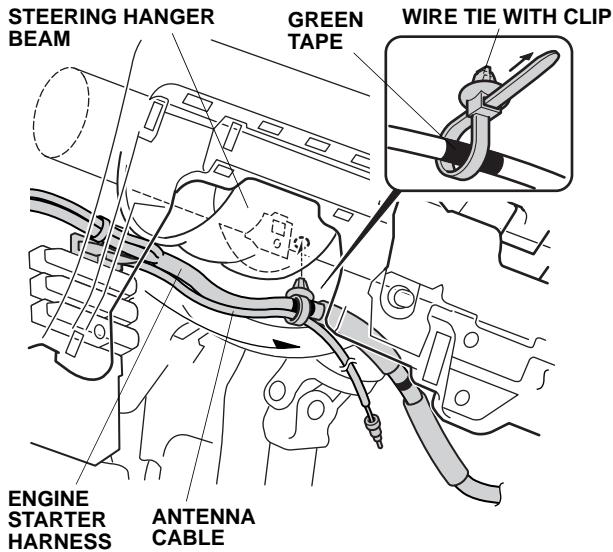


45. Attach the engine starter harness 24-pin connector to the vehicle 24-pin connector.
46. If the vehicle is equipped with the factory security system, secure the engine starter harness 2-pin connector (white) to the vehicle harness, it will not be used. If the vehicle is not equipped with the security system, the connector will be used in a later step.

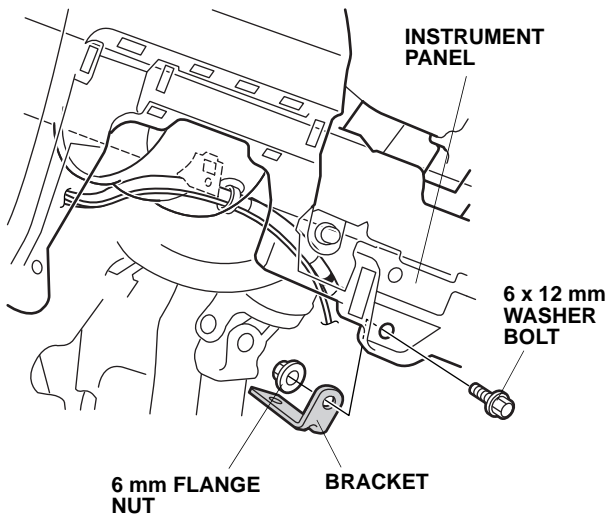


47. Secure the engine starter harness 23-pin connector (blue), and the engine starter harness to the engine starter harness and vehicle harness using three wire ties.

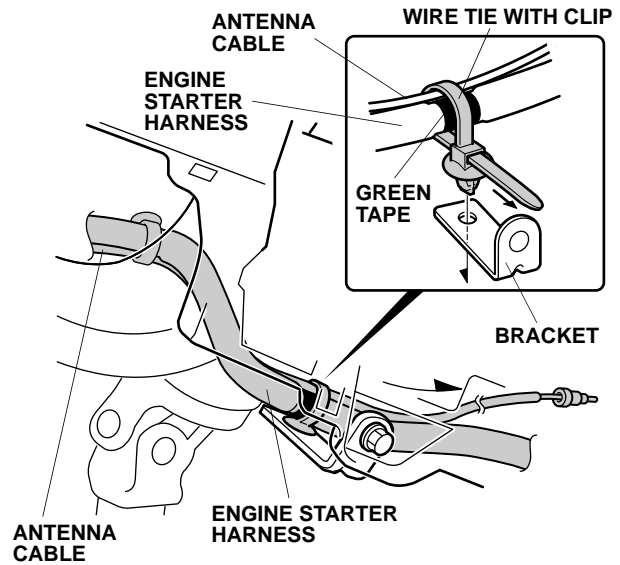
48. Attach the wire tie with clip to the engine starter harness and the antenna cable at the green tape then push the clip into the hole in the steering hanger beam.



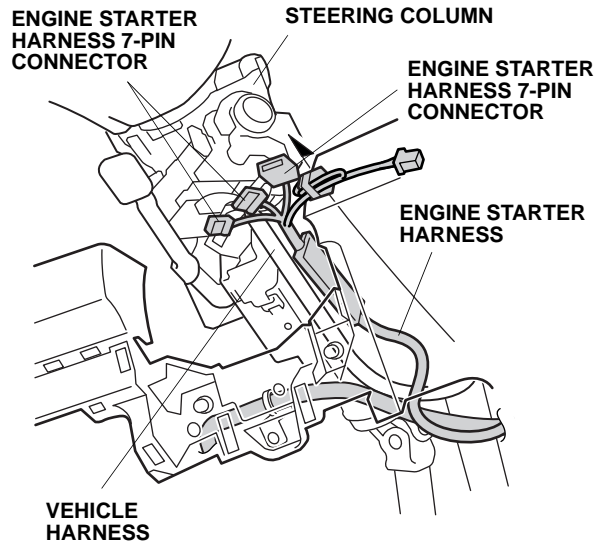
49. Install the bracket to the instrument panel using one 6 x 12 mm washer bolt, and one 6 mm flange nut.



50. Attach the wire tie with clip to the engine starter harness and the antenna cable at the other green tape, then push the clip into the hole in the bracket.

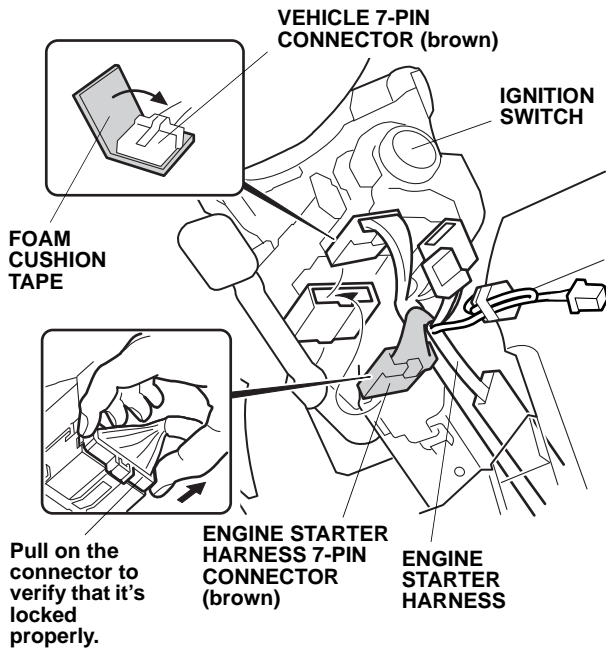


51. Route the engine starter harness 7-pin connectors (brown, green, and white) towards the steering column.

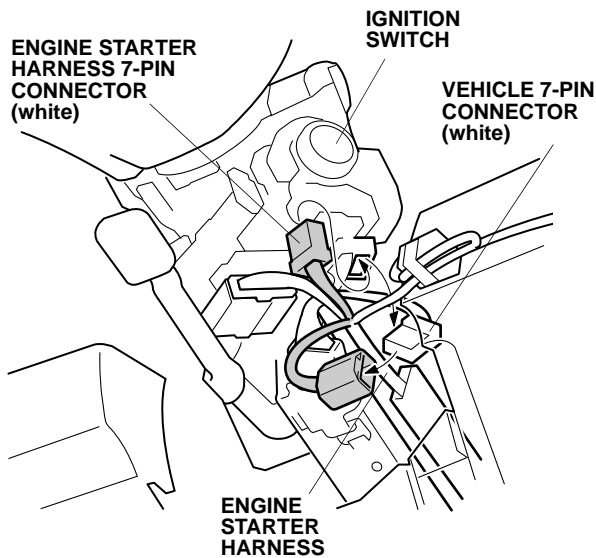


52. Disconnect the vehicle 7-pin connector (brown) from the ignition switch and connect the engine starter harness 7-pin connector (brown) as shown.

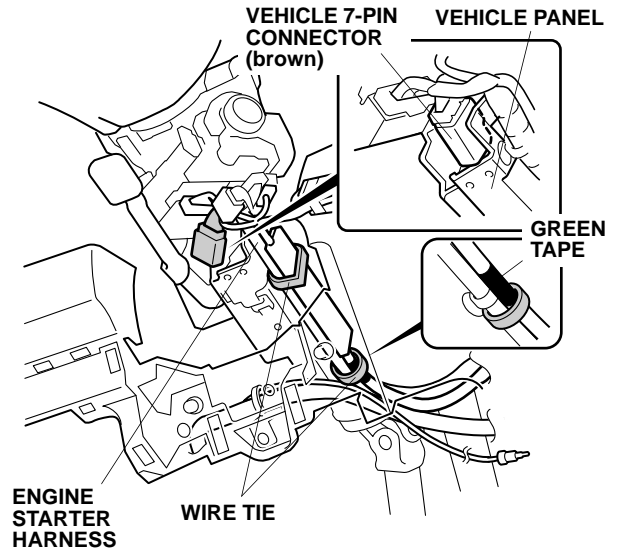
**NOTICE** Check that the engine starter harness 7-pin connector (brown) is connected to the vehicle connector and it is locked securely. A loose connector can cause engine stall.



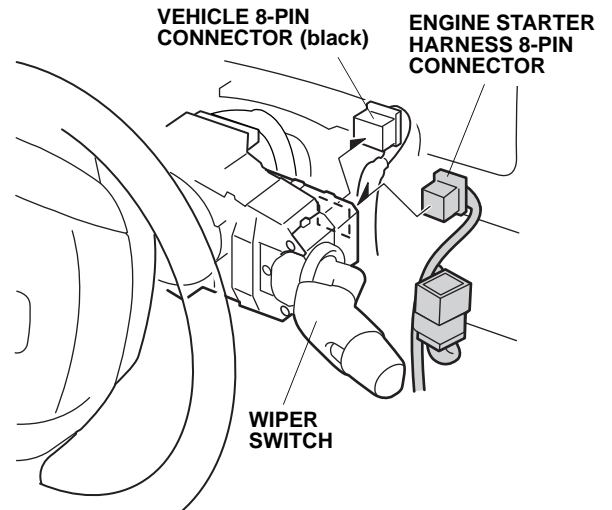
53. Wind one foam cushion around the vehicle 7-pin connector (brown).
54. Disconnect the vehicle 7-pin connector (white) from the ignition switch, and plug in the engine starter harness 7-pin connector (white) as shown.



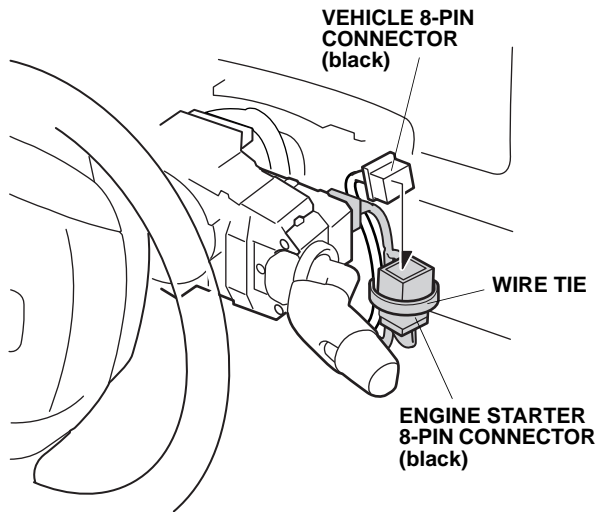
55. Insert the vehicle 7-pin connector (brown) into the gap on the steering column.



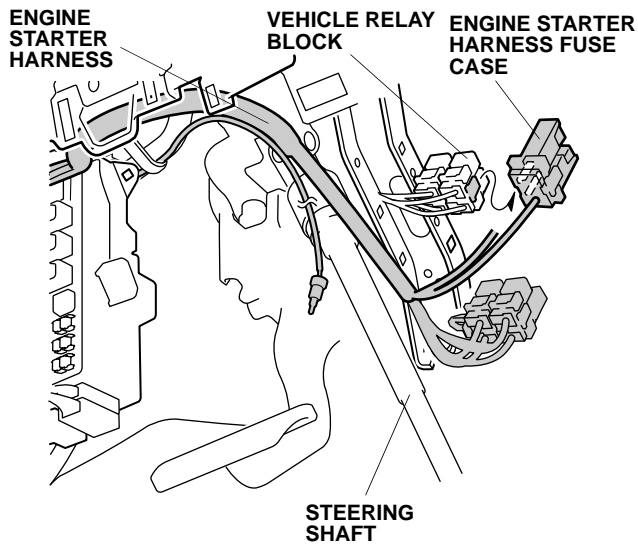
56. Secure the engine starter harness to the vehicle harness using two wire ties.
57. Disconnect the vehicle 8-pin connector (black) from the wiper switch, and plug the engine starter harness 8-pin connector to the wiper switch.



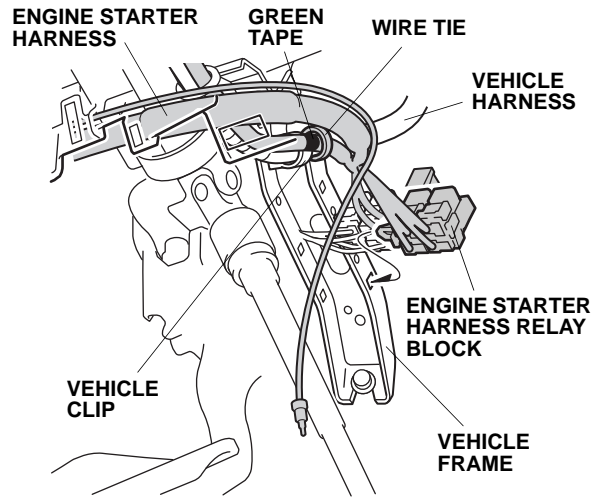
58. Plug the vehicle 8-pin connector (black) to the engine starter harness 8-pin connector.



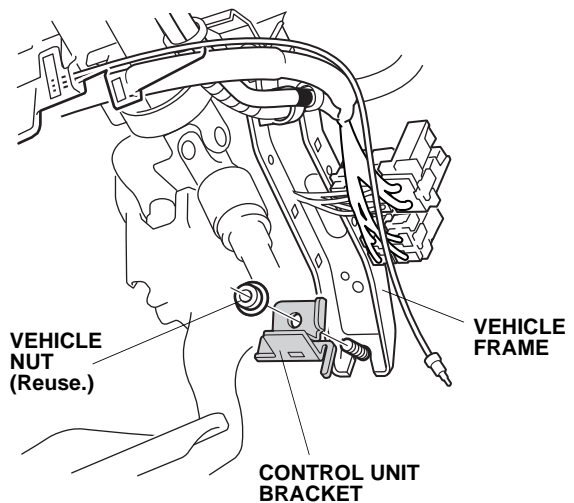
59. Secure the engine starter 8-pin connector (black) to the vehicle harness using one wire tie.
60. Attach the engine starter harness to the fuse case of the vehicle relay block.



61. Align the green tape on the engine starter harness with the vehicle harness clip, and secure the engine starter harness to the vehicle harness with one wire tie.

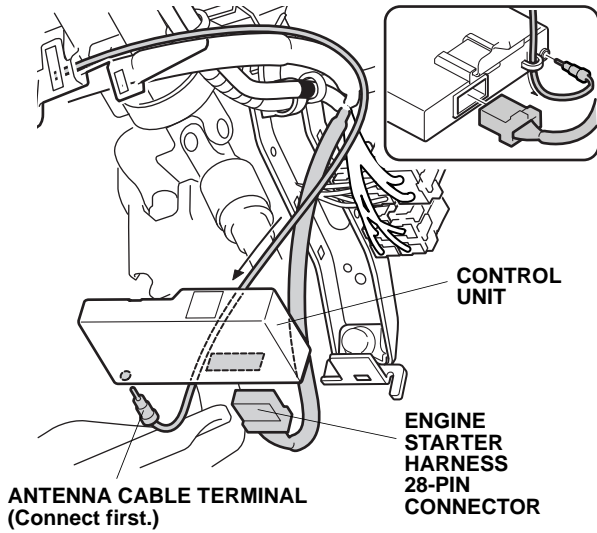


62. Secure the engine starter harness relay block to the vehicle frame.
63. Remove the vehicle nut. Secure the control unit bracket to the vehicle frame using the vehicle nut you just removed.

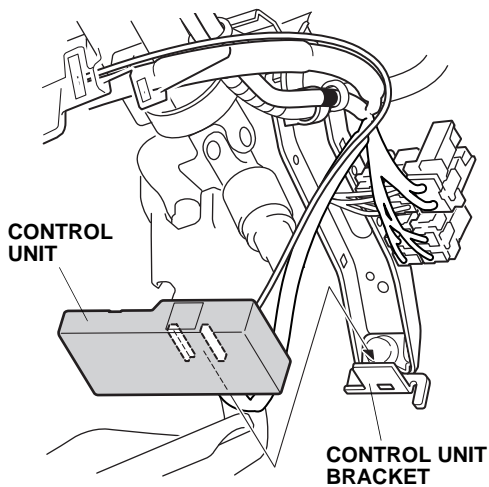




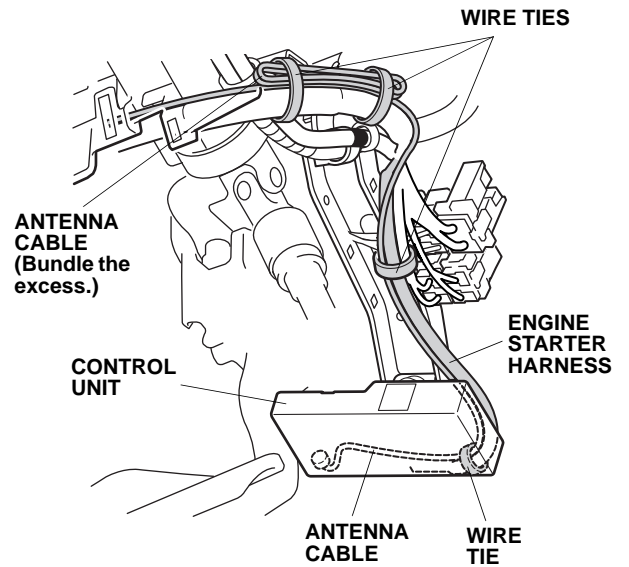
64. Connect the antenna cable terminal to the control unit as shown.



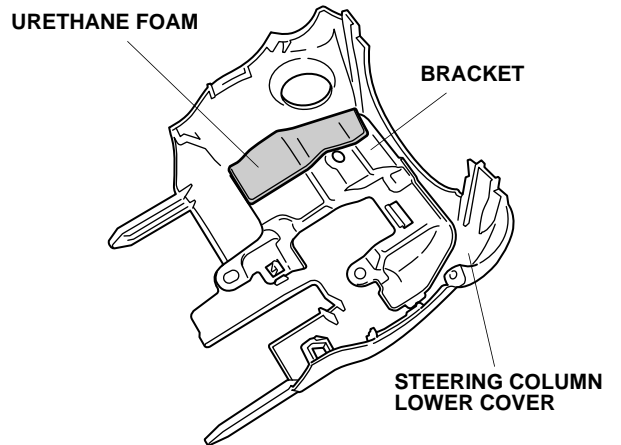
65. Plug the engine starter harness 28-pin connector into the control unit.
66. Slide the control unit onto the control unit bracket.



67. Secure the engine starter harness and antenna cable to the engine starter harness using two wire ties.

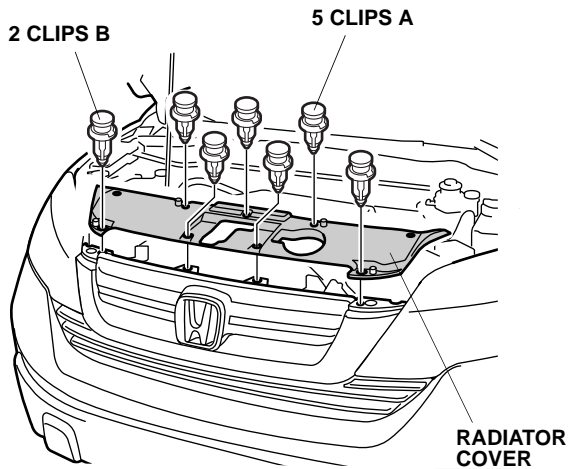


68. Bundle the excess antenna cable, and secure it to the engine starter harness using two wire ties.
69. Clean the steering column lower cover on the bracket surface where the urethane foam will attach using isopropyl alcohol. Attach the urethane foam to the bracket.

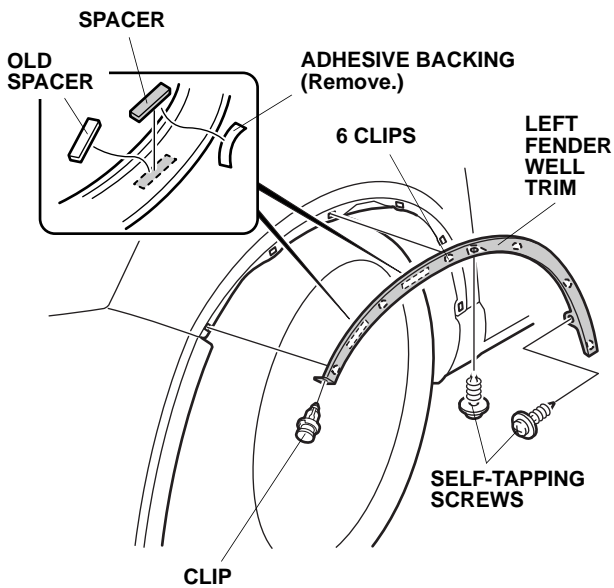


**If the vehicle is equipped with a factory security system, go to step 85; otherwise, continue with step 70.**

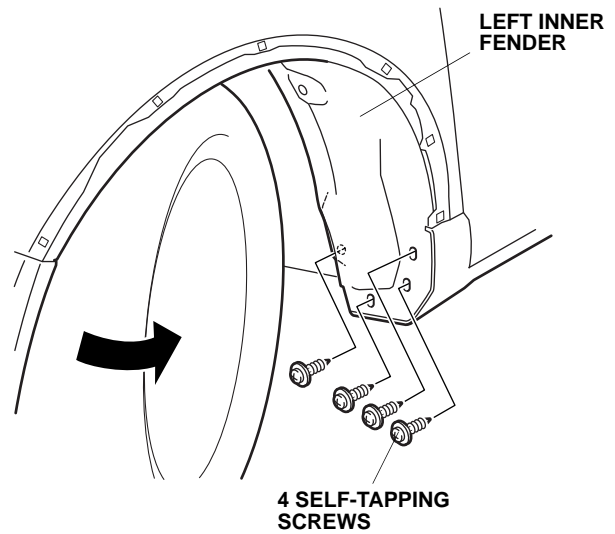
70. Remove the seven clips from the radiator cover.



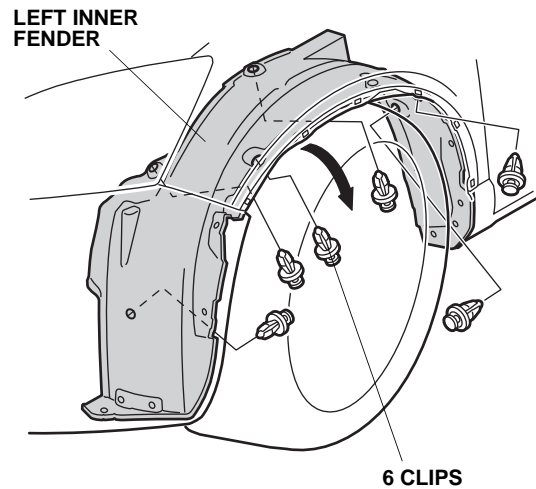
71. Remove the left fender well trim (two self-tapping screws and seven clips). Using isopropyl alcohol on a shop towel, clean the areas where the spacer will attach. Replace the existing two spacers with new spacers from the kit as shown.



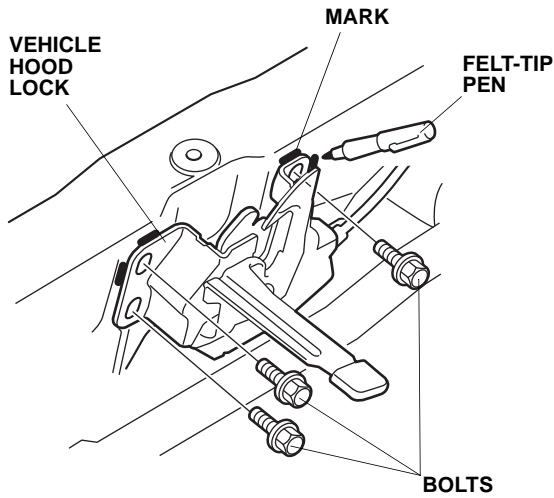
72. Remove the four self-tapping screws from the left inner fender.



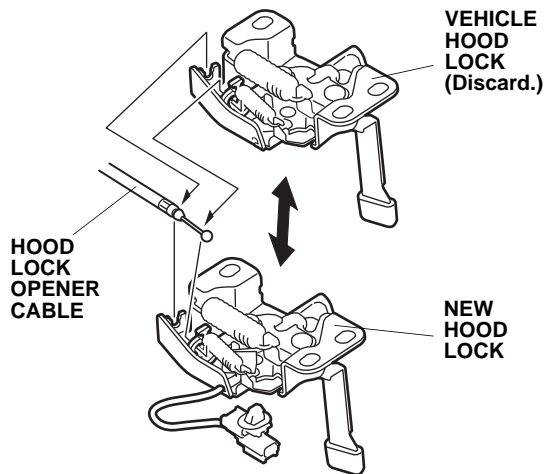
73. Remove the six clips, and turn down the left inner fender.



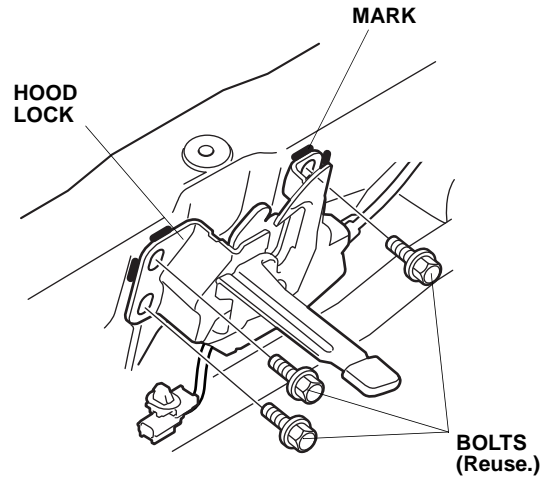
74. Using a felt-tip pen, mark around the vehicle hood lock at its existing location for proper reinstallation.



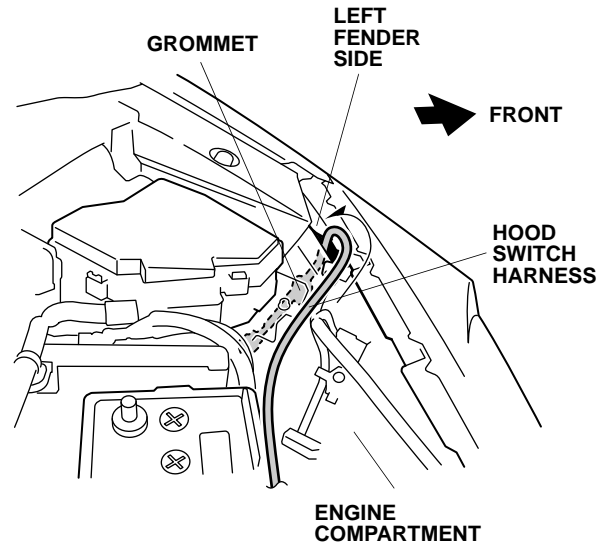
75. Remove and discard the hood lock (three bolts, and remove the hood lock opener cable).
76. Attach the hood lock opener cable to the new hood lock.



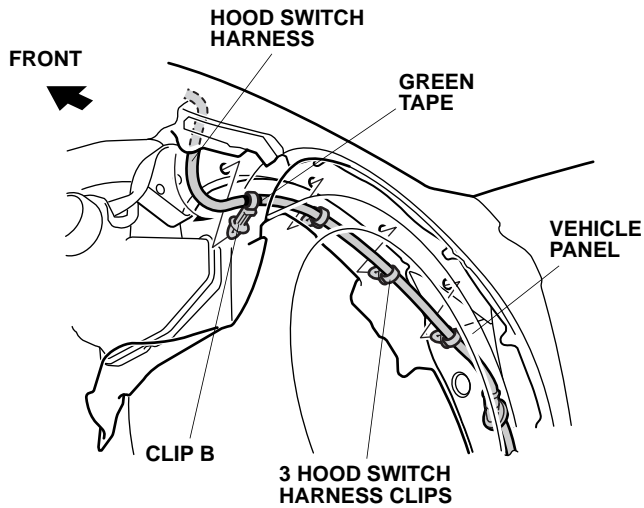
77. Install the new hood lock with the three bolts you removed, and align it with the marks you made. Torque the hood lock bolts to: 10 N·m (7.2 lbf·ft)



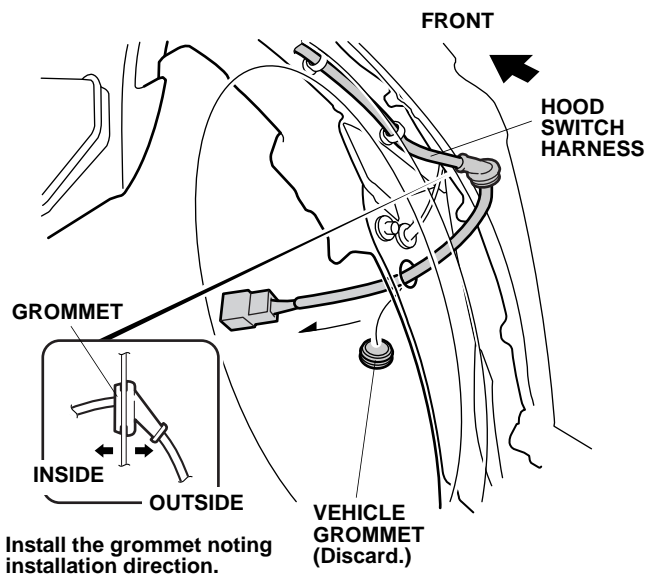
78. Route the grommet side of the hood switch harness from the engine compartment into the left fender area as shown.



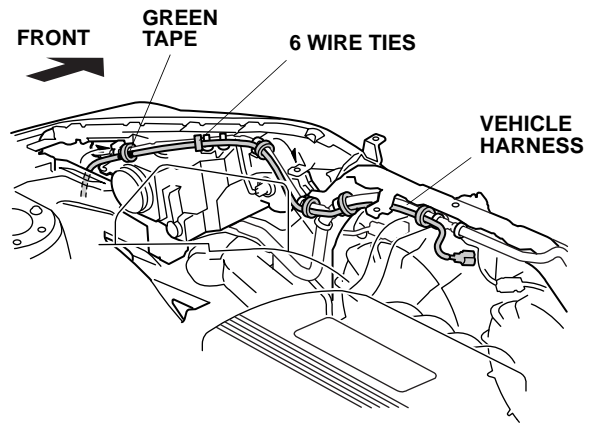
79. Route the hood switch harness as shown, and secure the hood switch harness to the vehicle panel using the three clips installed on the hood switch harness.



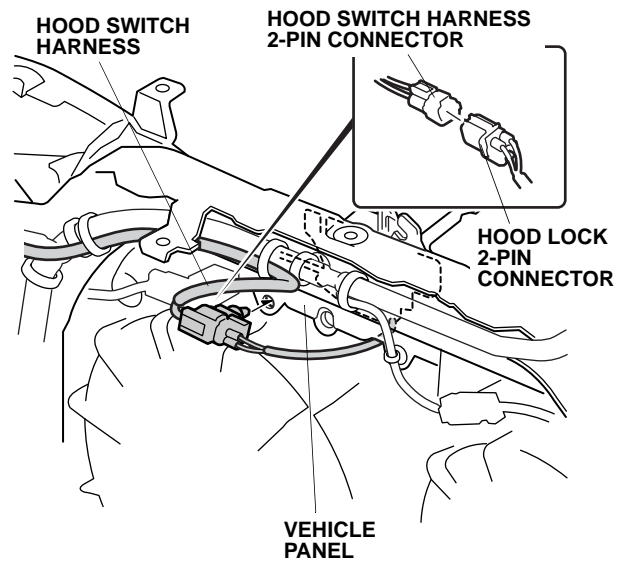
80. Attach clip B to the hood switch harness at the green tape, and secure it to the vehicle panel.  
 81. Remove and discard the vehicle grommet. Route the hood switch harness 2-pin connector into the passenger's compartment.



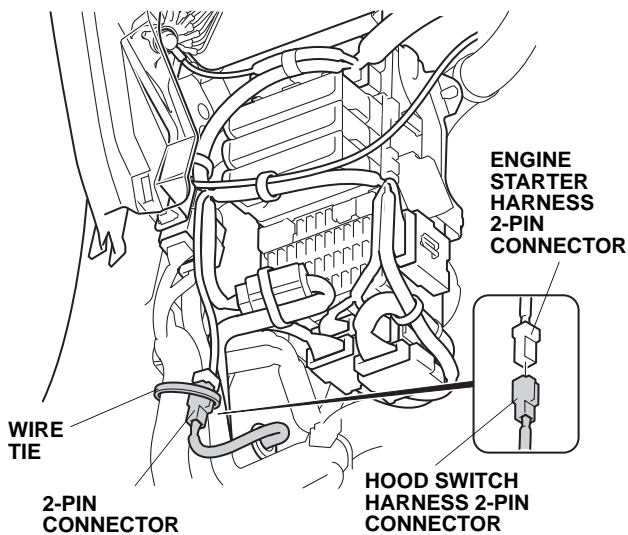
82. Route the hood switch harness along the vehicle harness towards the center of the vehicle. Secure the hood switch harness to the vehicle harness using six wire ties.



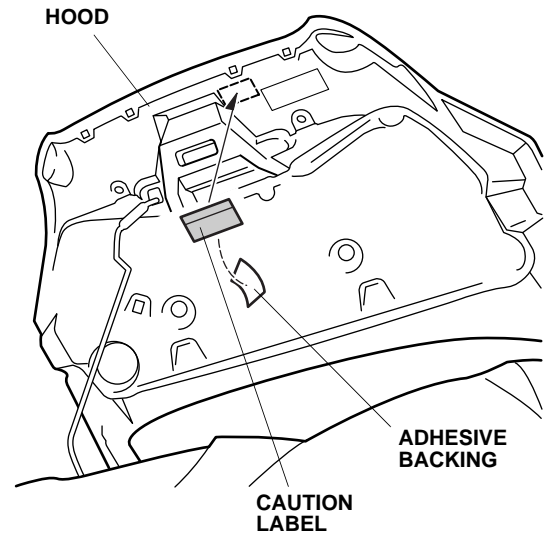
83. Plug the hood lock 2-pin connector into the hood switch harness 2-pin connector, and secure the connector to the vehicle panel.



84. Plug the hood switch harness 2-pin connector, (routed in step 79), to the engine starter harness 2-pin connector. Secure the connector to the vehicle harness using one wire tie.



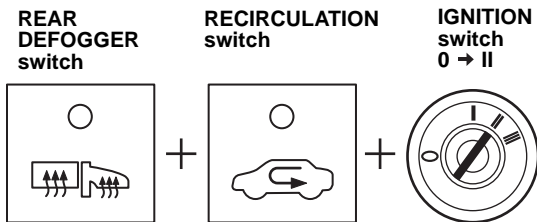
85. Using isopropyl alcohol on a shop towel, clean the area where the caution label will attach.



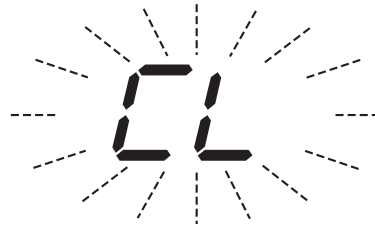
86. Attach the caution label to the hood.
87. Reinstall all removed parts. Check that all clips and fasteners are installed securely. Take care not to pinch the airbag with a clip during reinstallation of the front pillar trim. Do not push the front pillar trim excessively.
88. Reconnect the negative cable to the battery.
89. Do the REMOTE ENGINE STARTER REGISTRATION (page 23) and FUNCTION CHECK (page 26).
90. Enter the customer's radio anti-theft code, and reset the radio station presets.
91. Reset the clock.

## SETTING THE AUTOMATIC DEFROST FUNCTION (IF EQUIPPED WITH AUTOMATIC CLIMATE CONTROL)

- Setting the automatic defrost function must be done with the air conditioner off. Turn the air conditioner to off position with the ignition switch in the ON (II) position, then turn the ignition switch to the LOCK (0) position before setting.
- While holding the REAR DEFOGGER switch and the RECIRCULATION switch, turn the ignition switch to the ON (II) position for at least 10 seconds. The “Set temperature and a letter” (CL or AC) on the air conditioner display will blink after 5 seconds, and stays on after 10 seconds. The letter CL indicates that the automatic defrost function is OFF, and the letter AC indicates that the automatic defrost function is ON.



5 Seconds after turning the ignition switch to ON (II) (indicating current setting)

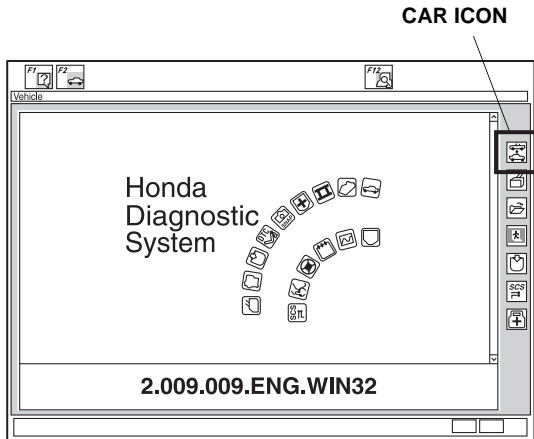


10 Seconds after turning the ignition switch to ON (II)

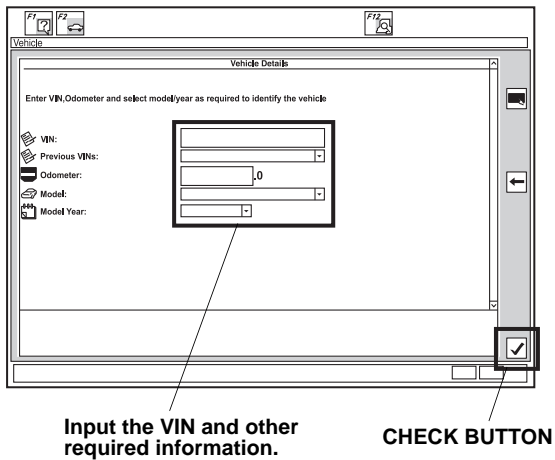


## REMOTE ENGINE STARTER REGISTRATION

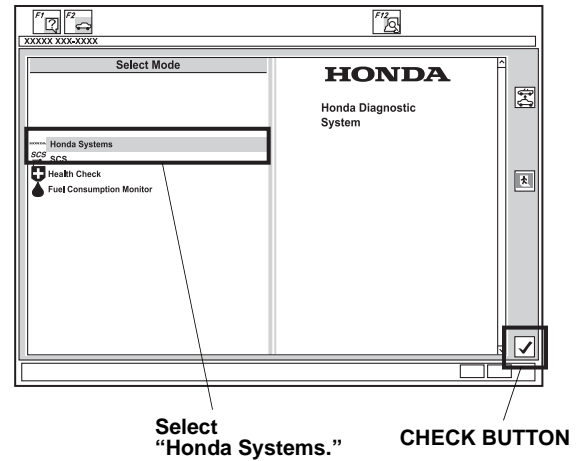
1. Acquire the PCM code from the Interactive Network.
2. Connect the HDS tester to the OBD II data link connector, then turn the ignition switch to the ON (II) position.
3. Start the HDS, and click the car icon.



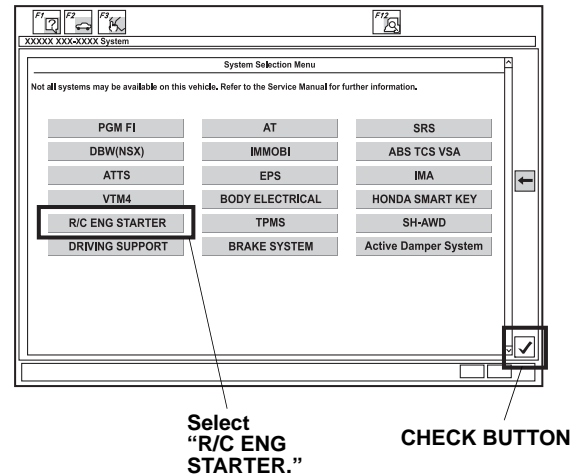
4. Input the VIN and other required information into the HDS, then click the check button.



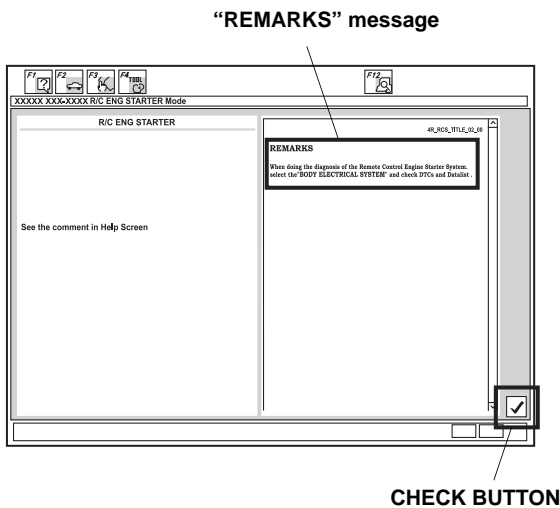
5. Select **Honda Systems**, then click the check button.



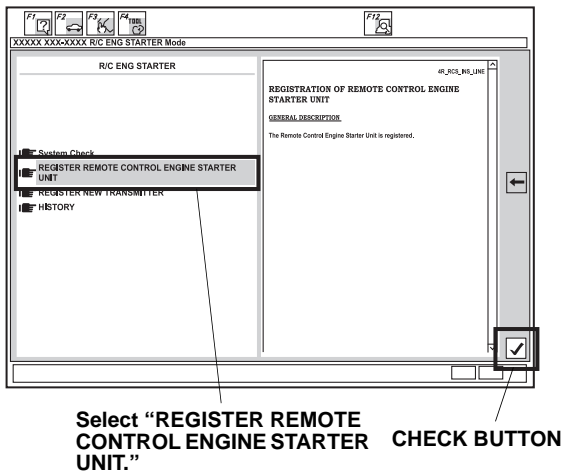
6. Select **R/C ENG STARTER** and click the check button.



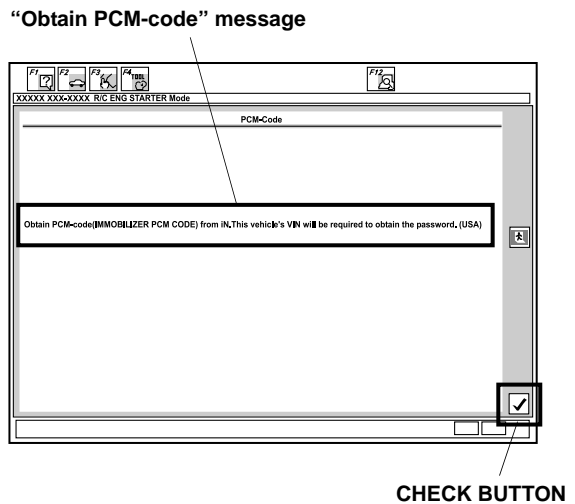
7. A **REMARKS** message will display. Click the check button.



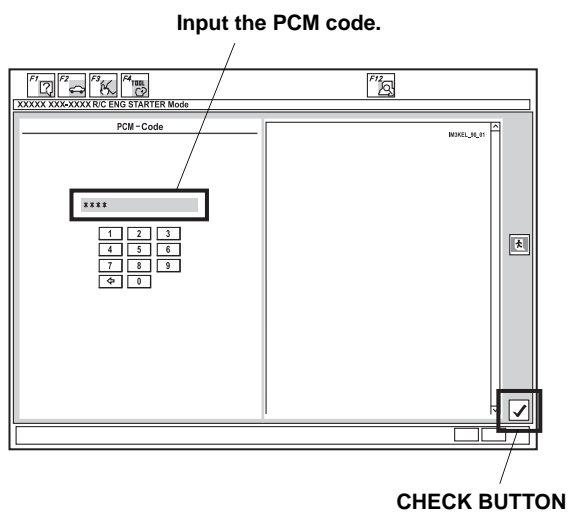
8. Select **REGISTER REMOTE CONTROL ENGINE STARTER UNIT**, then click the check button.



9. The following message will display: **Obtain PCM-code (IMMOBILIZER PCM CODE) from iN. This vehicle’s VIN will be required to obtain the password. (USA).** Click on the check button.



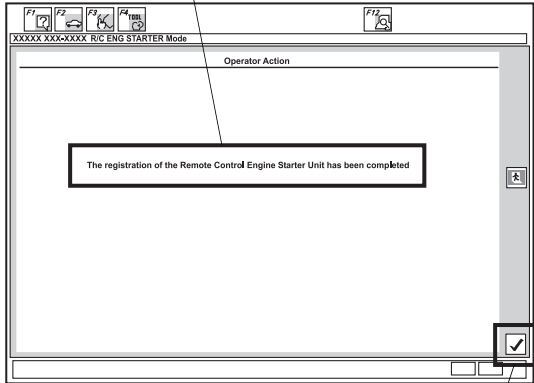
10. Input the PCM code, then click on the check button. **NOTE:** To ensure security, the PCM code (password) is changed every day, so it is impossible to register the remote control engine starter if the dates of the PCM code acquisition and registration are different. The date of the HDS tester should also be the same.





11. The following message will display: **The registration of the Remote Control Engine Starter Unit has been completed.** Click on the check button.

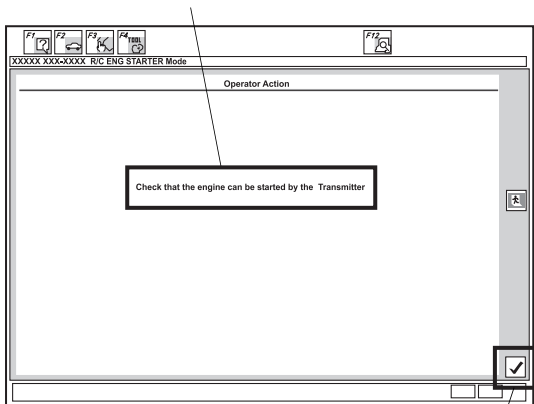
**“The registration of the Remote Control Engine Starter Unit has been completed.”**



**CHECK BUTTON**

12. The following message will display: **Check that the engine can be started by the Transmitter.** Click on the check button.

**“Check that the engine can be started by the Transmitter.”**



**CHECK BUTTON**

13. Perform the Function check test on page 26, then disconnect the HDS.

## FUNCTION CHECK

### Operating Conditions

- The hood is closed.
- The shift lever is in Park.
- The key is not in the ignition switch.
- All doors and tailgate closed and locked.

### Inspection

1. Within 1 second, press the command button and then the start button on the transmitter.  
The engine should start if all operating conditions are met.

Does the engine start?

**Yes - Operation is normal.**

**No-**

- **Make sure all operating conditions are met.**
- **Check the engine starter harness connections.**
- **Connect the HDS and check for an indicated failure.**  
**(Refer to the appropriate service manual for details.)**

2. Press the command button on the transmitter, and within 1 second, press the stop button. The engine should stop.

Does the engine stop?

**Yes - Operation is normal.**

**No - Check the engine starter harness connections.**

3. After the engine has stopped, start the engine again, and check that the engine stops after each of the following conditions:

NOTE:

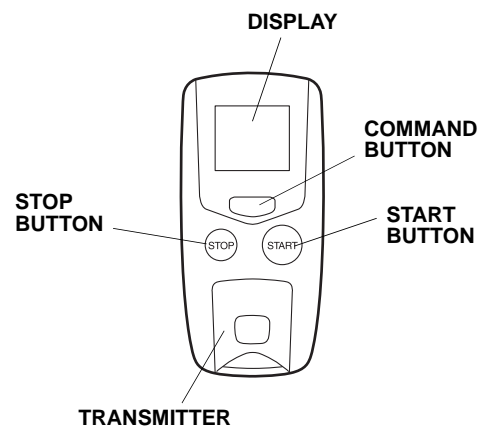
- Each test must be completed within 30 seconds after the engine starts.
- After each test the ignition key must be cycled, or the driver's door must be opened and closed.
  - Move the shift lever out of the P position.
  - Unlock or open the doors or the tailgate.
  - Open the hood.
  - Insert the key in the ignition.
  - Press on the brake pedal.

Does the engine stop after each of these tests?

**Yes - Operation is normal.**

**No - Check the engine starter harness connections.**

4. Check that the power windows or the moonroof does not function and the shift lever does not move to any position but the P position when the engine is started with the transmitter.
5. Press the command button on the transmitter twice and check the vehicle condition on the display.
6. Check the operation of the transmitter when the vehicle is 100 m to 150 m (325 to 490 ft.) away, and when the vehicle is in direct sight.



### **How to Program an Additional Transmitter**

1. Connect the HDS to the data link connector.
2. Start the HDS and click on the car icon.
3. Input the vehicle's VIN and other required information.
4. Select **Honda Systems**.
5. Select **R/C Engine Starter**.
6. Select **REGISTER NEW TRANSMITTER**.
7. When "Ready to program the new transmitter" shows, select **ENTER**.
8. Press and release the Command button.
9. Press and release the Stop button.
10. Perform the function check on both transmitters.

NOTE: Only 2 remotes can be stored in the system's memory.