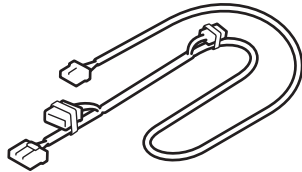


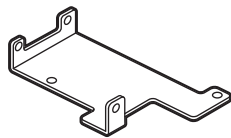
## PARTS LIST

**Bass Works Attachment kit (sold separately)**  
**P/N 08B54-SWA-100**

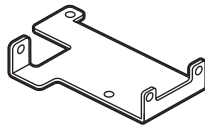
Bass system harness



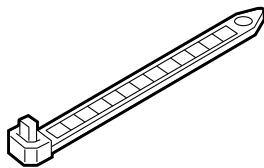
Right bracket



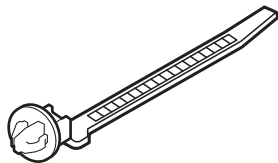
Left bracket



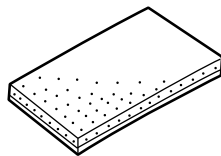
7 Wire ties



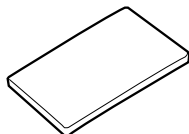
Wire tie with clip



2 EPT sealers



8 Cushion tapes



4 Washer-bolts, 5 x 12 mm

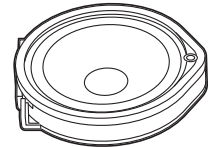


4 Flange nuts, 5 mm

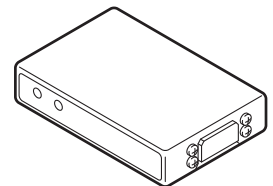


**Bass Speaker System Kit (sold separately)**  
**P/N 08A54-SNA-100**

2 Bass speakers



Bass unit



## TOOLS AND SUPPLIES REQUIRED

Phillips screwdriver

Flat-tip screwdriver

Clip remover

Isopropyl alcohol

Shop towel

8 mm, 10 mm, and 14 mm Combination wrenches

8 mm, 10 mm, and 14 mm Sockets

Ratchet

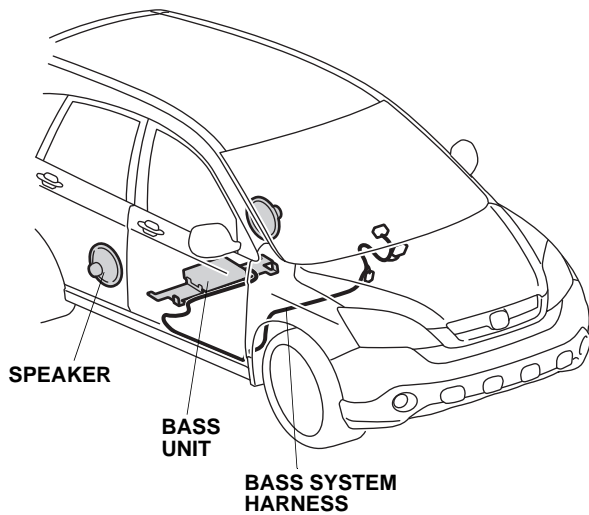
Masking Tape

## INSTALLATION

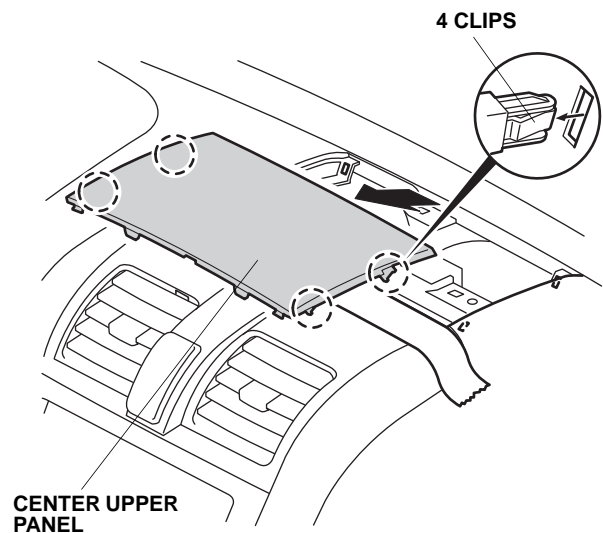
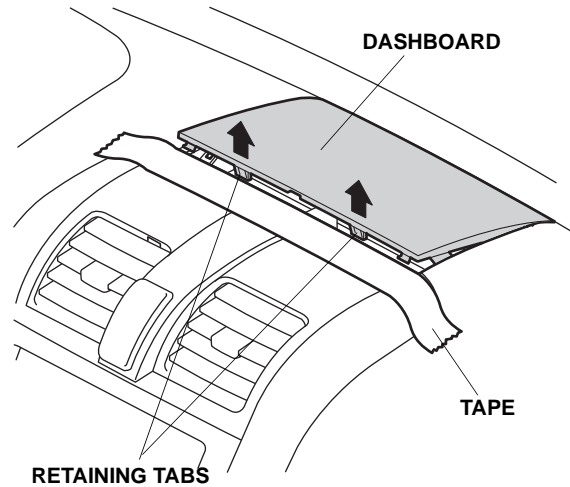
### Removing the Vehicle Parts

1. Fully open the left and right rear door glass.
2. Write down the customer's radio station presets; the radio memory will be erased when you disconnect the battery.
3. Make sure you have the anti-theft code for the radio, then write down the frequencies for the preset buttons.
4. Disconnect the negative cable from the battery.

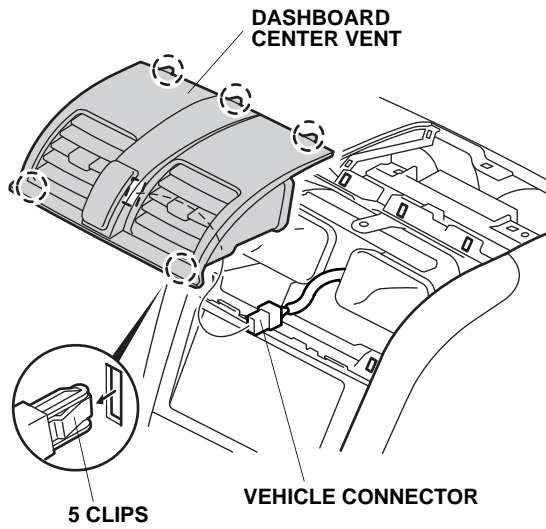
### Illustration of the Bass System Installed on the Vehicle.



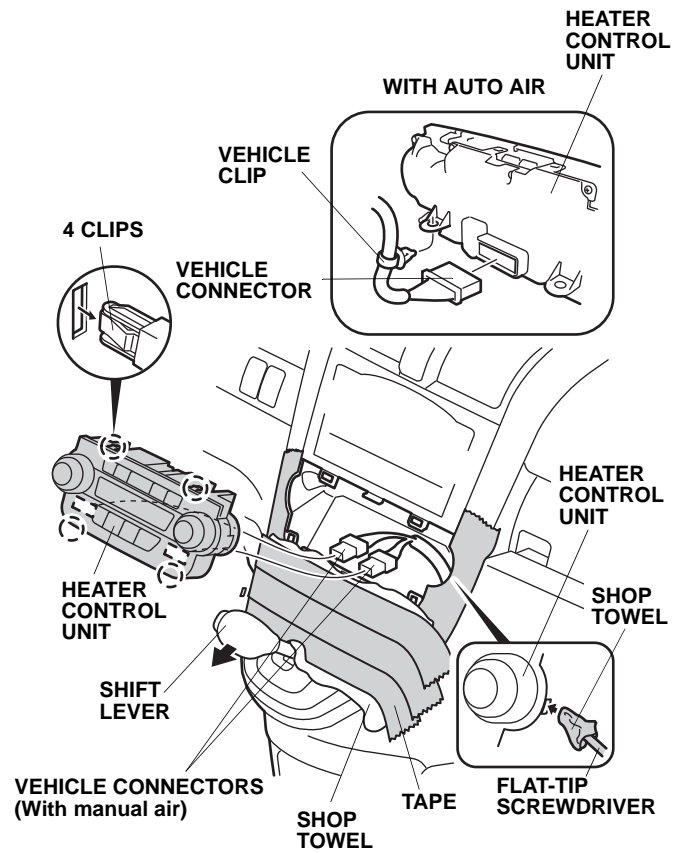
5. Attach masking tape to the dashboard as shown.
6. Using a flat-tip screwdriver, release the two retaining tabs from the center upper cover and remove the center upper panel (four clips).



- Remove the dashboard center vent (five clips and disconnect the vehicle connector).

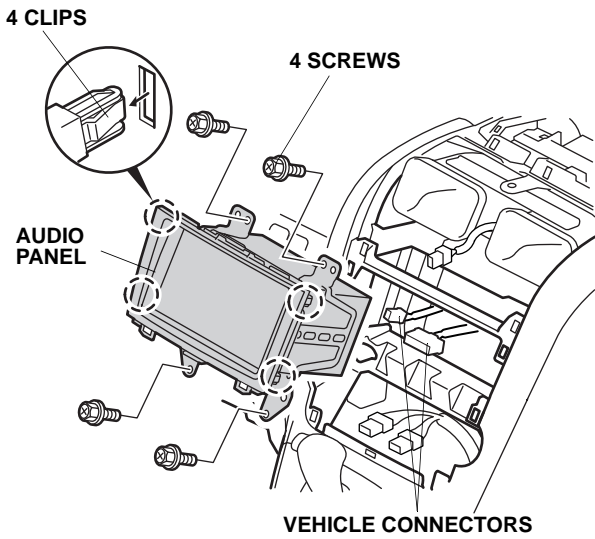


- Move the shift lever to the "1" position. Tape a shop towel around the shift lever and tape around the heater control unit.

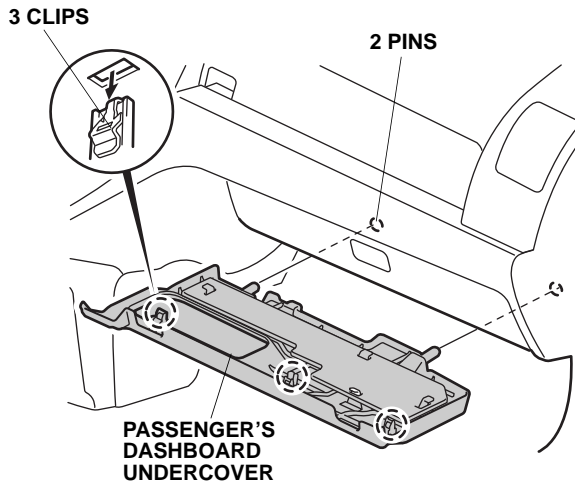


- Using a flat-tip screwdriver wrapped with a shop towel. Remove the heater control unit (four clips and disconnect the vehicle connector(s)).

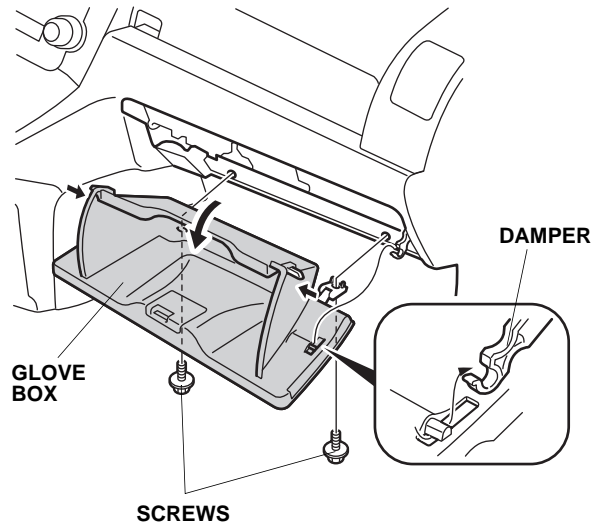
10. Remove the audio panel (four screws, four clips, and disconnect the vehicle connectors).



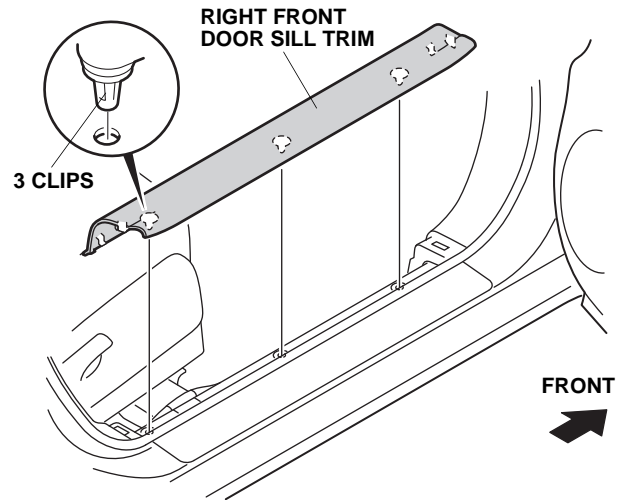
11. Remove the passenger's dashboard undercover (three clips and two pins).



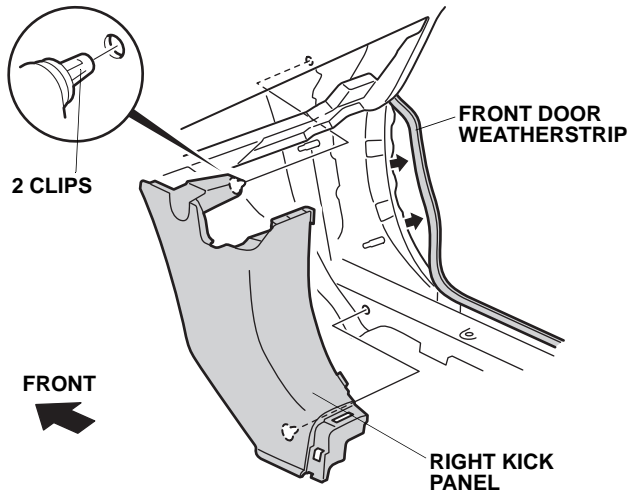
12. Remove the glove box damper (two screws and disconnect the damper).



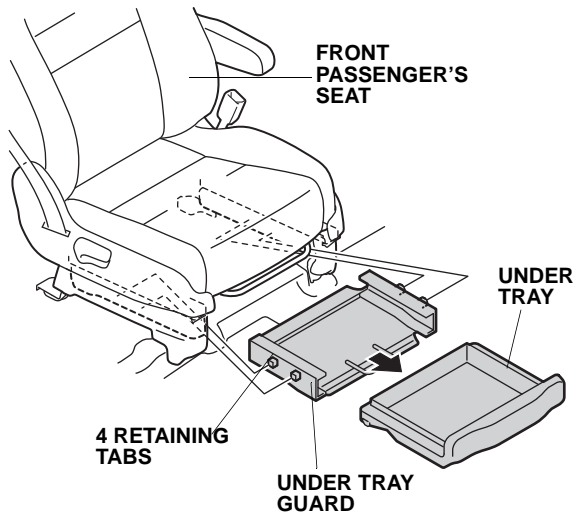
13. Remove the right front door sill trim (three clips).



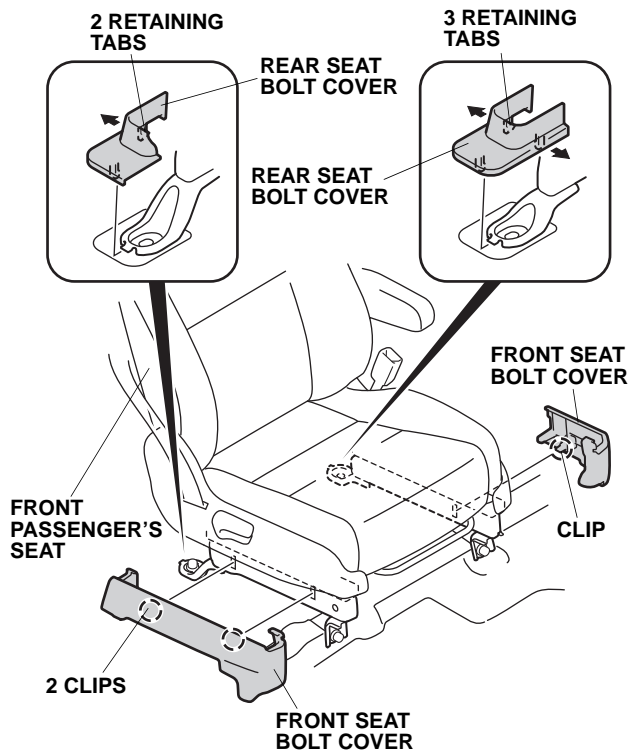
14. Remove the passenger's front door weatherstrip from around the kick panel, then remove the right kick panel (two clips).



15. If equipped, remove the seat under tray:
- Raise the lock, and remove the under tray by pulling it toward you.
  - Remove the under tray guard (four retaining tabs).

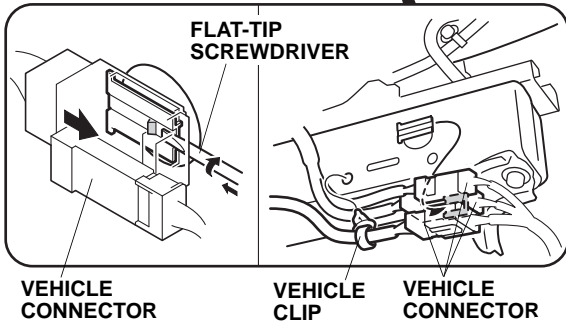
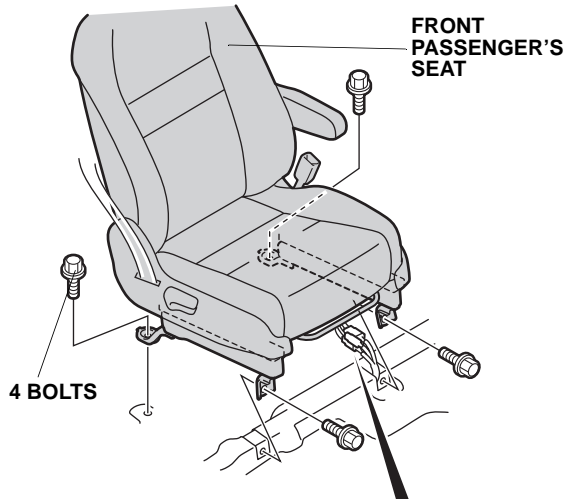


16. Remove the rear seat bolt cover from the front passenger's seat (five retaining tabs).



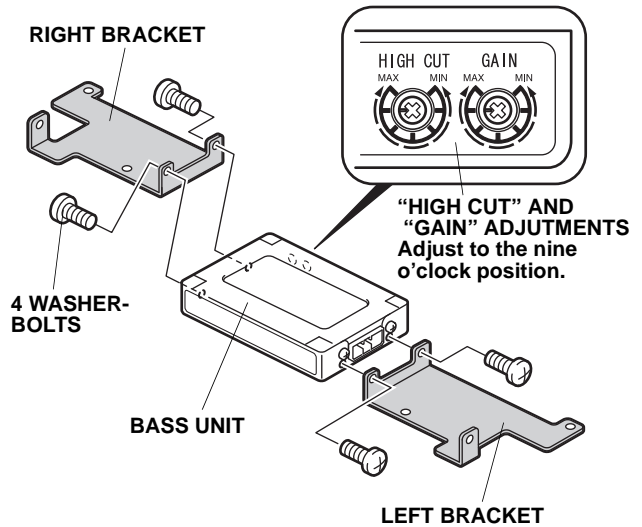
17. Remove the front seat bolt cover from the front passenger's seat (three clips).

18. Under the front passenger's seat, remove the vehicle connectors from the seat rail then remove the vehicle clip.
19. Raise the front passenger's seat bolts and tilt the front passenger's seat back (four bolts and vehicle connectors).

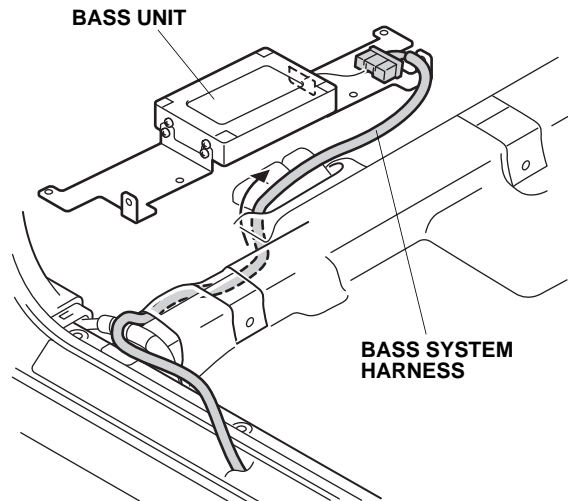


## Installing the Bass Unit

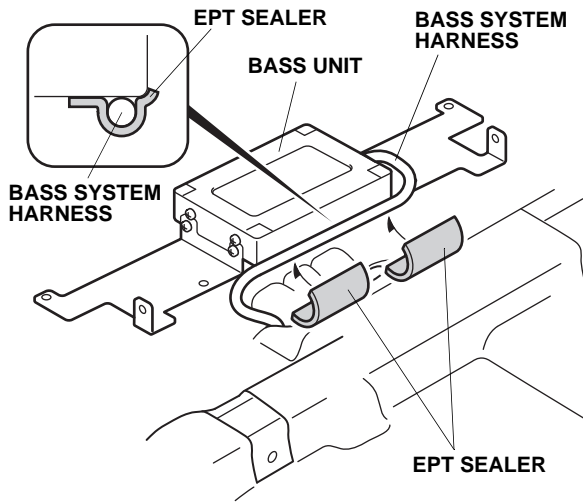
20. Remove the four screws from the bass unit, and install the right and left brackets to the bass unit using these screws.



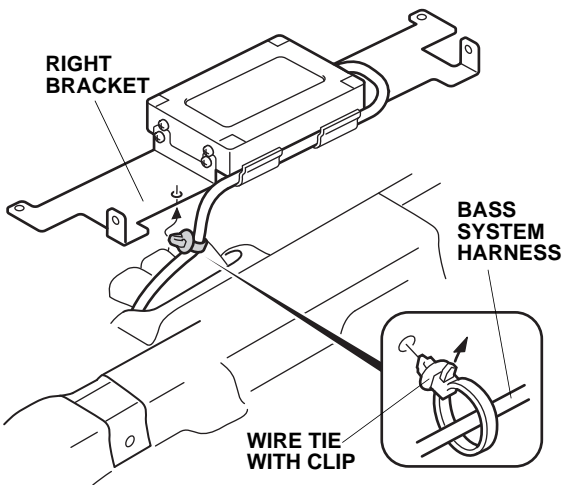
21. Adjust the HIGH CUT and GAIN adjustments on the bass unit to the nine o'clock position.
22. Get the bass system harness, route the bass system harness under the floor carpet and out through the hole in the carpet. Plug the connector into the bass unit.



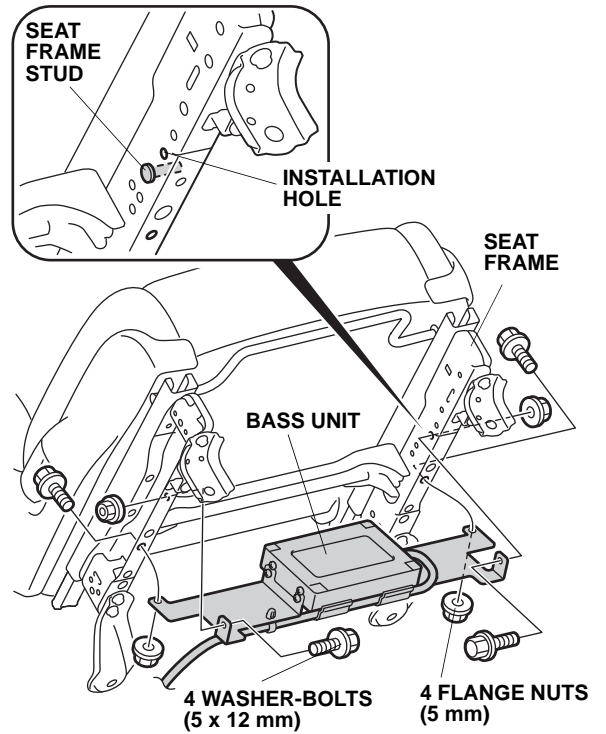
23. Secure the bass system harness to the bass unit using the two EPT sealers.



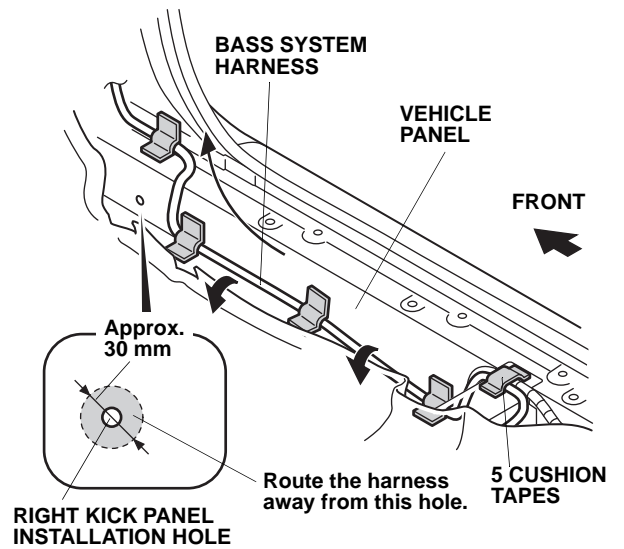
24. Secure the bass system harness to the right bracket using one wire tie with clip.



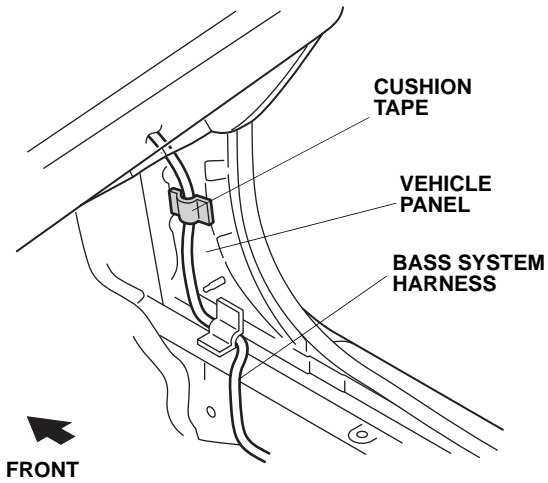
25. Install the bass unit to the front passenger's seat frame using four 5 x 12 mm washer-bolts and four 5 mm flange nuts.



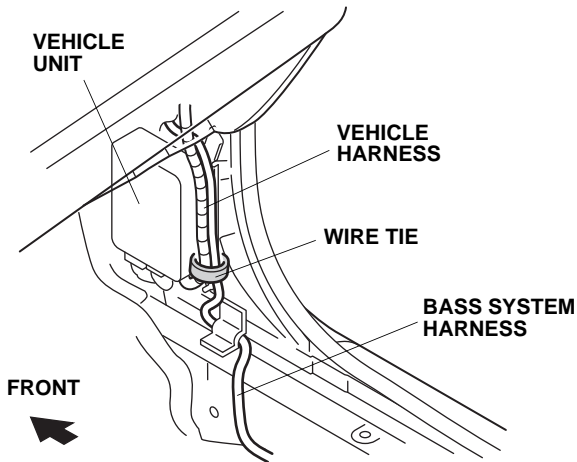
26. Route the bass system harness along the door opening as shown, and secure it to the vehicle panel using five cushion tapes.



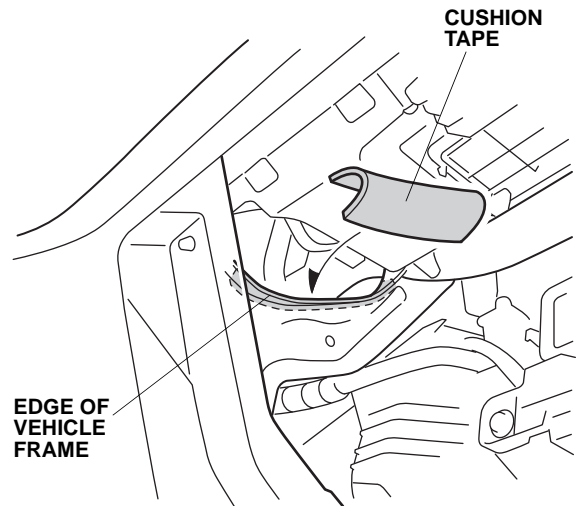
27. If the vehicle is equipped with an XM unit, secure the bass system harness to the vehicle panel using one cushion tape.



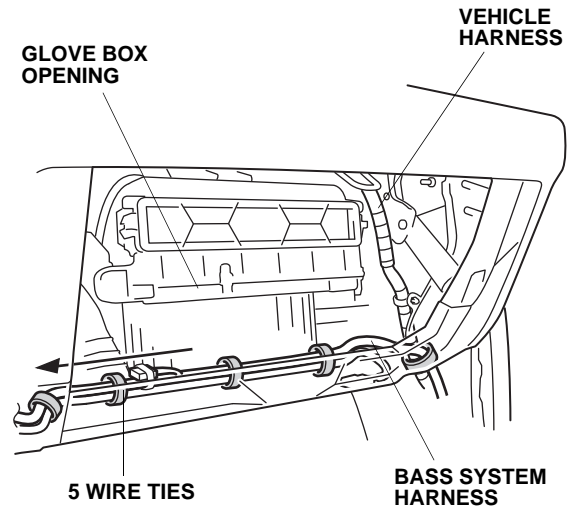
28. Secure the bass system harness to the vehicle harness using one wire tie.



29. Attach one cushion tape to the edge of the vehicle frame.



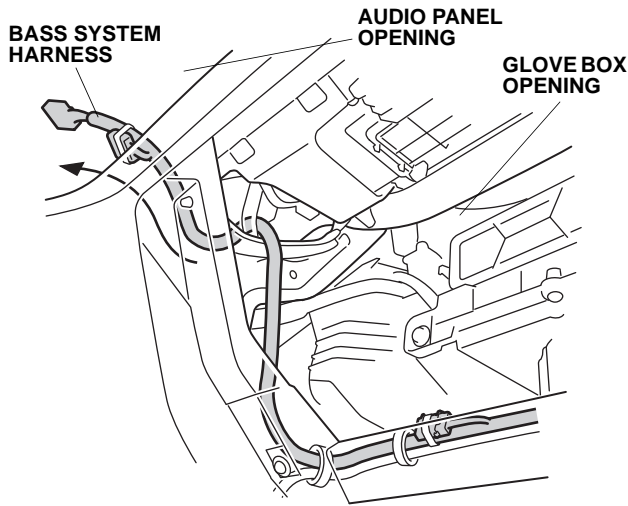
30. Route the bass system harness along the vehicle frame towards the center of the vehicle.



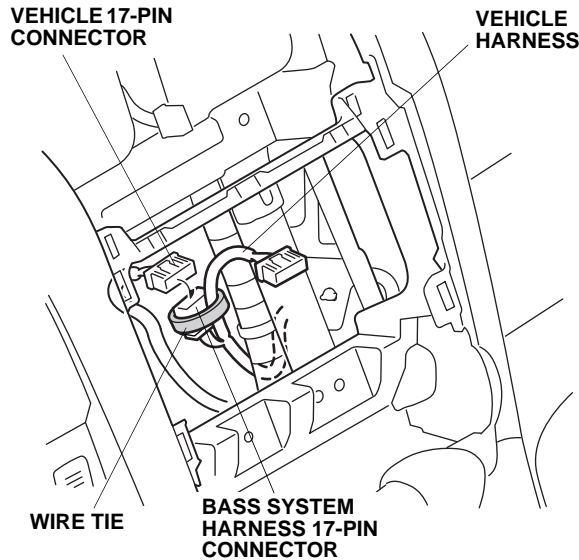
31. Secure the bass system harness to the vehicle harness using five wire ties.



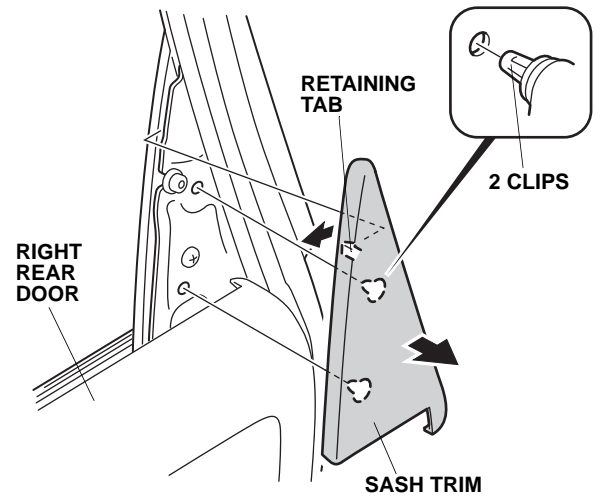
32. Route the bass system harness up from the glovebox toward the audio unit opening.



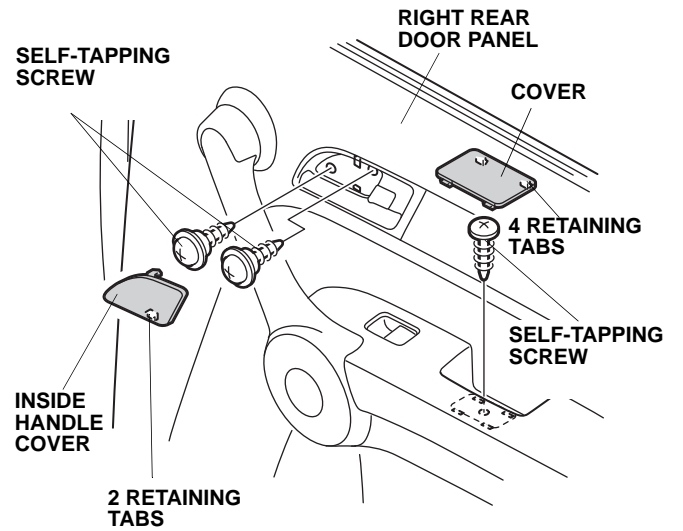
33. Connect the bass system harness 17-pin connector to the vehicle 17-pin connector and secure the connector, to the vehicle harness using one wire tie.



34. Remove the right rear door sash trim (two clips and one retaining tab).

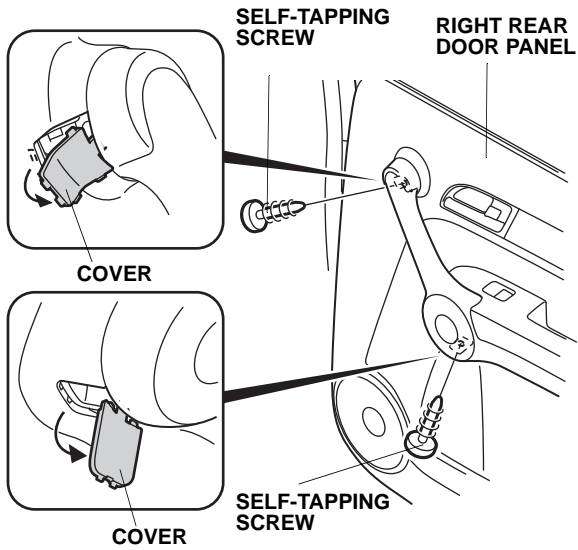


35. Remove the inside handle cover (two retaining tabs) and remove the two self-tapping screws from the right rear door panel.

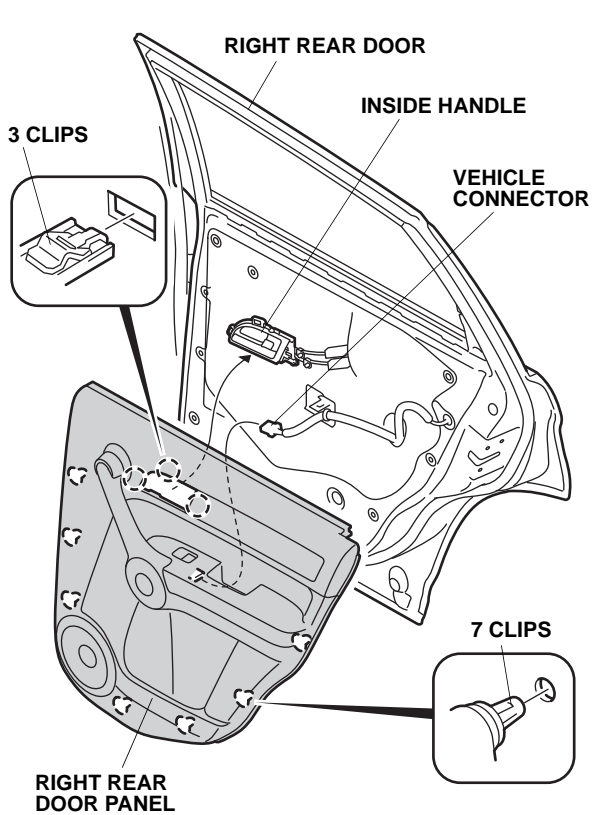


36. Remove the cover (four retaining tabs) and remove the self-tapping screw from the right rear door panel.

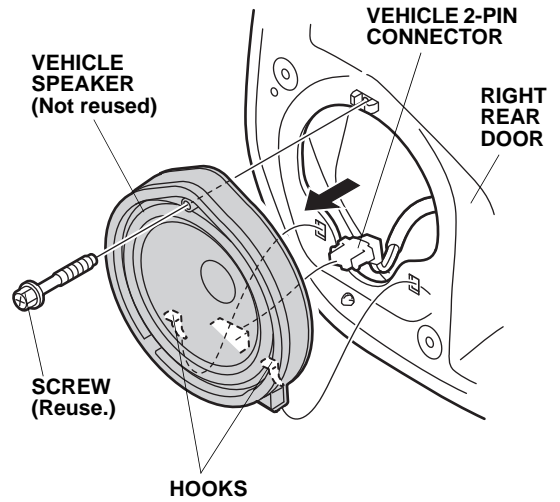
37. Open the two covers from the right rear door panel, and remove the two self-tapping screws.



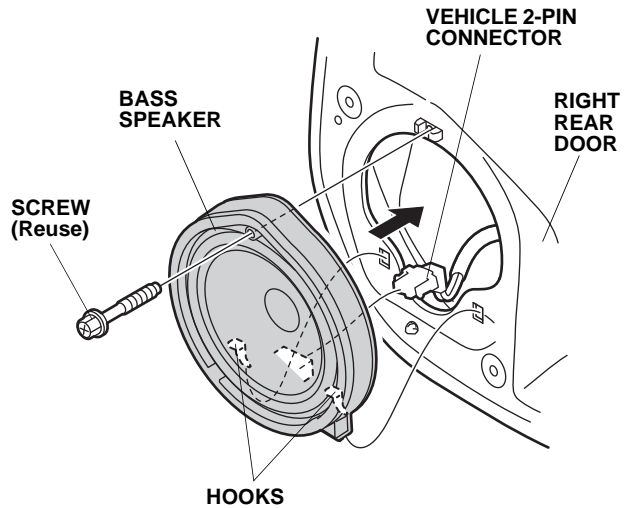
38. Pull the right rear door panel out toward you to release the seven clips, remove the inside handle from the door panel (three clips), disconnect the vehicle connector, and remove the right rear door panel.



39. Remove the right rear door speaker (one screw, two holes, and disconnect the connector).



40. Remove the left rear door speaker.  
41. Install the bass speakers into the rear doors using the screws you removed. Push against the speaker while installing the screw.



42. Check that all wire harnesses are routed properly and all connectors are plugged in.  
43. Reconnect the negative cable to the battery.  
44. Enter the customer's audio and navigation system (if equipped) anti-theft code, and reset the XM radio presets, and the clock.  
45. Reinstall all removed parts. Torque the seat bolts to 34 N·m (25 lb·ft).