



INSTALLATION INSTRUCTIONS

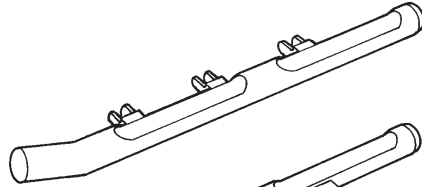
Accessory
SIDE STEP
P/N 08L33-S9V-101A
08L33-S9V-101B

Application
2008 PILOT

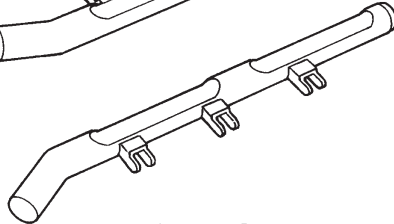
Publications No.
All 37128
Issue Date
JUN 2007

PARTS LIST

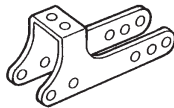
Left side step



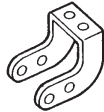
Right side step



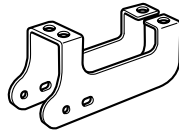
2 "A" brackets



2 "B" brackets



4 "C" brackets



24 Long flange bolts



32 Short flange bolts



32 Flange nuts



TOOLS AND SUPPLIES REQUIRED

Ratchet
13 mm Socket
Extension
13 mm Combination wrench
Blanket
Torque wrench

INSTALLATION

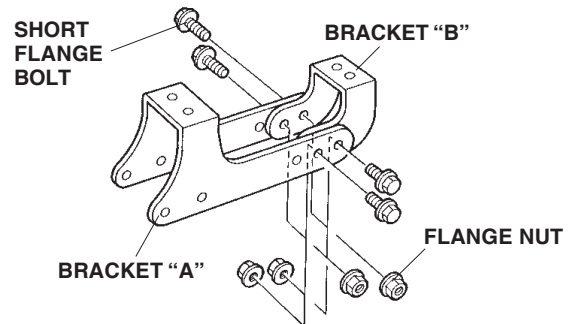
Customer Information: The information in this installation instruction is intended for use only by skilled technicians who have the proper tools, equipment, and training to correctly and safely add equipment to your vehicle. These procedures should not be attempted by "do-it-yourselfers".

NOTE:

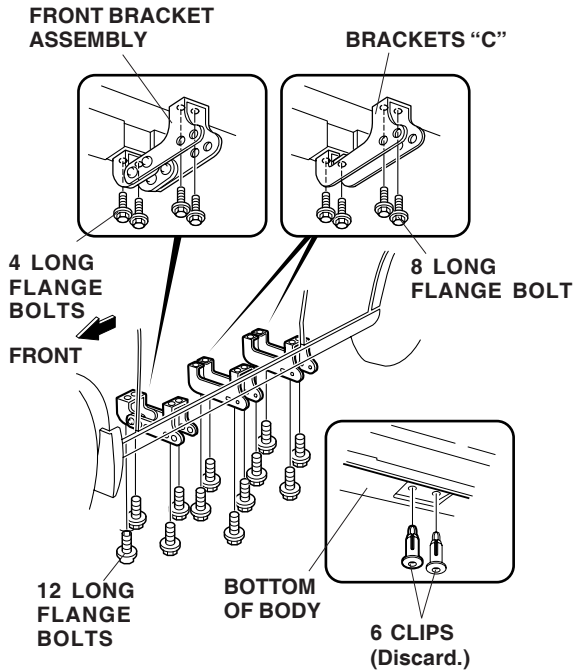
- Thoroughly clean the bottom of the body from the rear of the front wheels up to the front of the rear wheels.
- Be careful not to damage the body paint finish. To prevent damage, place a blanket under the side step board during the installation.
- These instructions show the left side running board being installed; the same procedure applies to installing the right side step.

1. Assemble two front bracket assemblies using brackets "A" and "B" along with four short flange bolts, and four flange nuts. Be sure to use the outboard holes in bracket "B." Leave these nuts and bolts loose at this time.

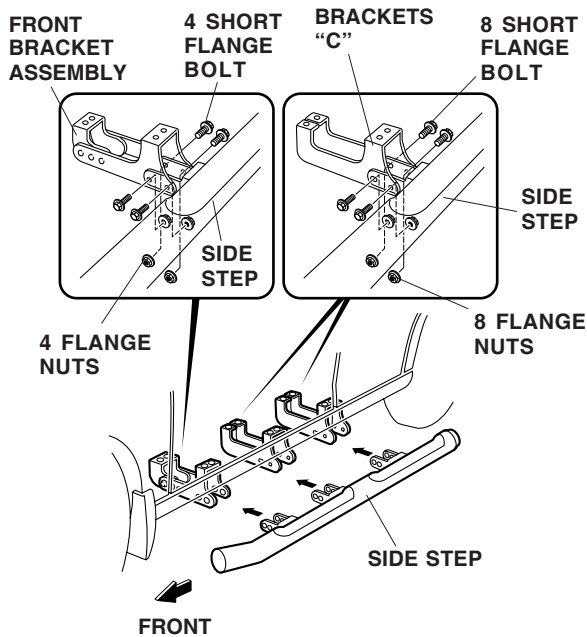
Front Bracket Assembly



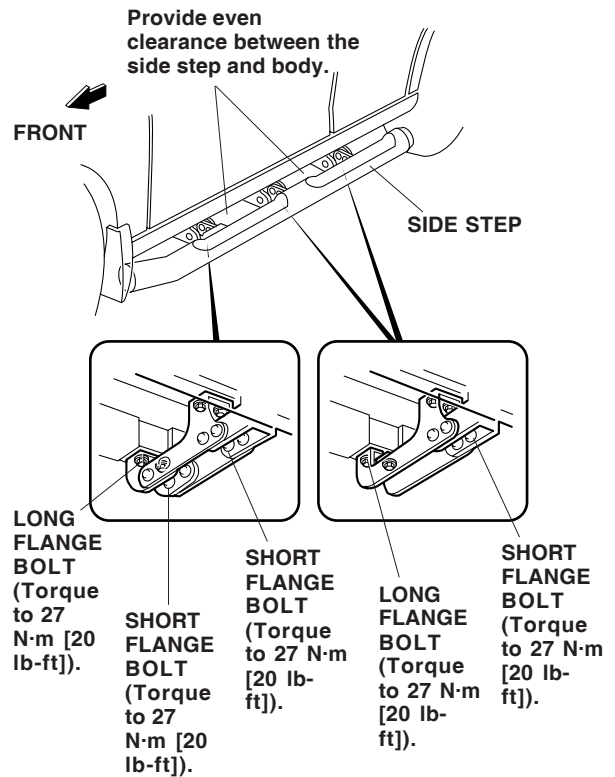
- Remove the six clips from the bottom of the body.



- Install the one front bracket assembly and two brackets "C" assemblies to the body using the twelve long flange bolts. Thread the long flange bolts in about 3 or 4 threads.
- Position the side step to the brackets using the twelve short flange bolts and twelve flange nuts. Thread the short flange bolts in about 3 or 4 threads.

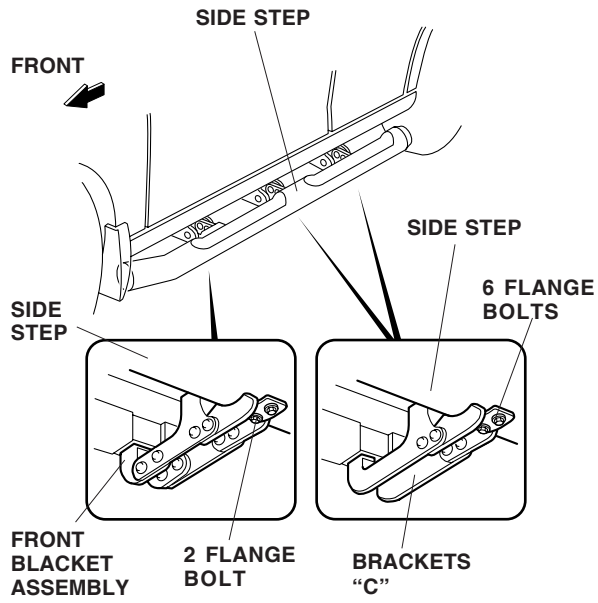


- Adjust the location of the left side step so that even clearance is obtained between the side step and body, then tighten the long flange bolts you installed in step 3. Torque the long flange bolts to 27 N·m (20 lb-ft)



- Torque the twelve short flange bolts you installed in step 4 to 27 N·m (20 lb-ft).
- Torque the four short flange bolts you installed in step 1 to 27 N·m (20 lb-ft).

8. Torque the six flange bolts you installed on the side step 27 N·m (20 lb-ft).



9. Repeat steps 2 through 8 to install the side step on the right side of the vehicle.