



# INSTALLATION INSTRUCTIONS

Accessory

TRAILER HITCH

Application

2008 ODYSSEY

Publications No.

All 38133

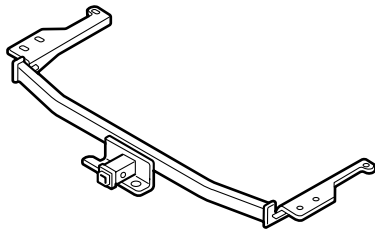
Issue Date

OCT 2007

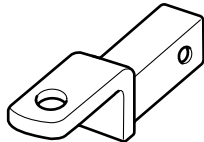
**NOTE: An optional heavy-duty power steering cooler, ATF cooler, and air deflector are required before towing. Have the recommended parts available to be installed along with the trailer hitch kit.**

## PARTS LIST

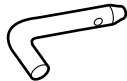
Trailer hitch



Ball mount



Hitch pin



Hitch pin clip



6 Bolts, 12 x 40 mm



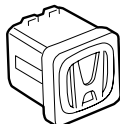
6 Lock washers, 12 mm



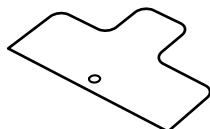
6 Plain washers, 12 mm



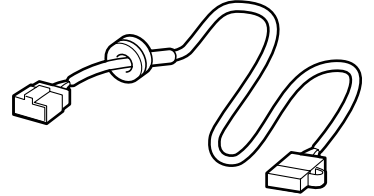
Receiver cover



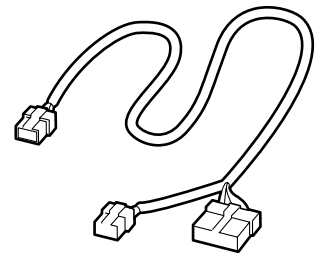
Template



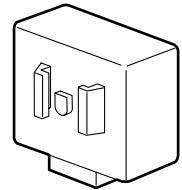
Trailer harness



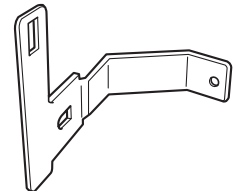
Control unit harness



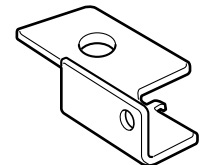
Control unit



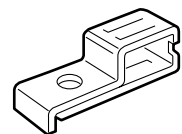
Control unit bracket



Harness bracket



Connector bracket



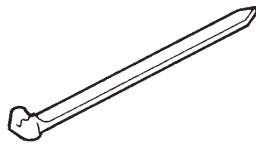
Flange nut, 6 mm



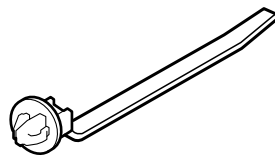
2 Flange bolts, 6 x 16 mm



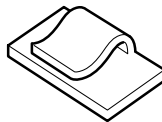
18 Wire ties



Wire tie with clip



2 Cable clips



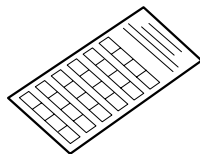
Connector clip



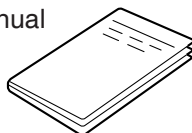
Fuse, 7.5 A



Fuse labels



Accessory User's Information Manual



### TOOLS AND SUPPLIES REQUIRED

Phillips screwdriver

Flat-tip screwdriver

Ratchet

5 mm, 6 mm, 10 mm, 12 mm, and 19 mm Sockets

Utility knife

Tape measure

Clip remover

Diagonal cutters

Sandpaper

Torque wrench

Drill

Blanket

Eye protection (safety goggles, face shield, etc.)

Pushpin

Isopropyl alcohol

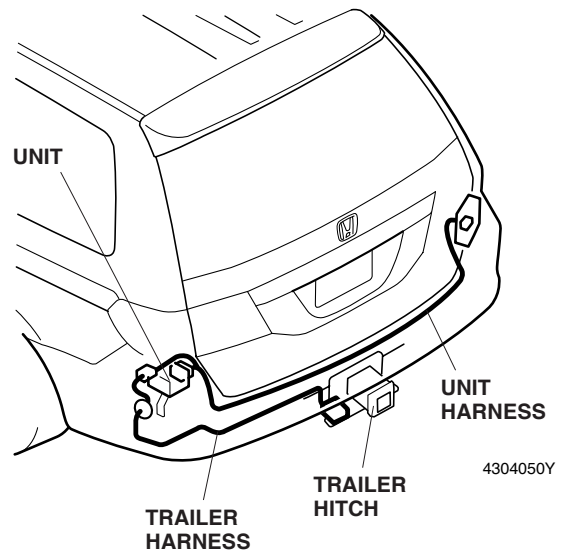
Shop towel

Piece of steel wire

Hole saw 13/16 (20 mm), T/N: LHS26D (Available through the Honda Tool and Equipment Program at (888) 424-6857)

Arbor, T/N: LHS1C

### Illustration of the Trailer Hitch Installed on the Vehicle



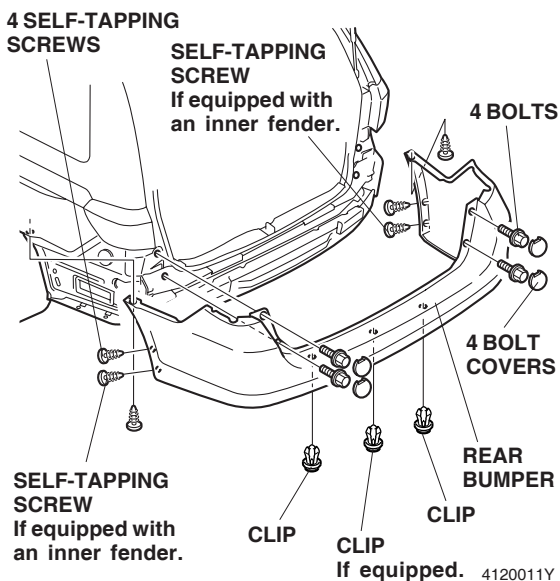
## INSTALLATION

**Customer Information:** The information in this installation instruction is intended for use only by skilled technicians who have the proper tools, equipment, and training to correctly and safely add equipment to your vehicle. These procedures should not be attempted by “do-it-yourselfers.”

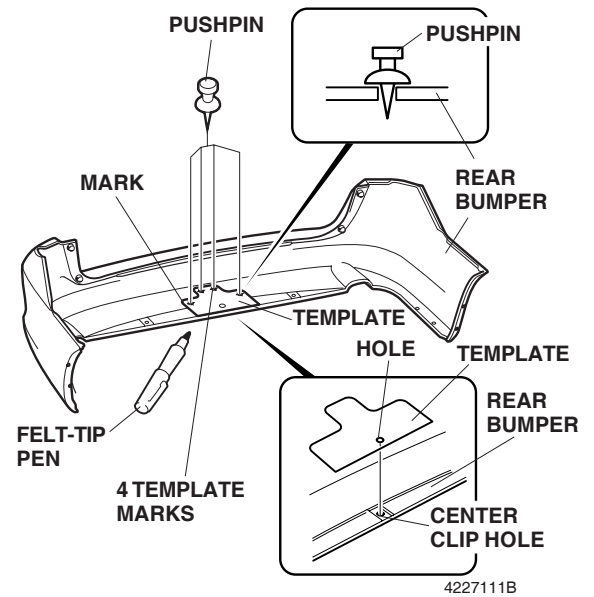
### NOTE:

Be careful not to damage the rear bumper or other finished surfaces of the body.

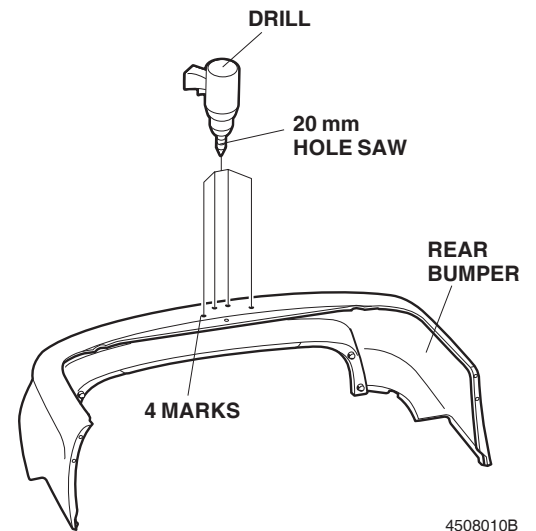
1. Make sure you have the anti-theft code for the radio, then write down the radio station presets.
2. Disconnect the negative cable from the battery.
3. Remove the rear bumper.
  - If equipped, remove the screws that secure the inner fender.
  - Remove the four self-tapping screws (two on each side) at the fenderwell.
  - Using a clip remover, pry out and remove the three clips (if equipped) along the bottom of the bumper.
  - Using a flat-tip screwdriver, pry out and remove the bumper bolt covers, then remove the four bumper bolts.
  - With the help of an assistant, release the bumper from the fenderwell, and slide the bumper away from the vehicle.
  - Set the bumper on a blanket.
  - If equipped, unplug the backup sensor connectors.



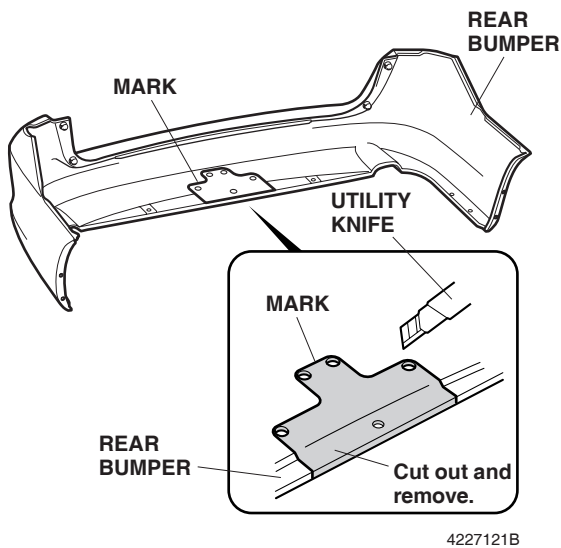
4. On the inside of the rear bumper, place the template on the bumper with the hole in the template over the center clip hole.



5. Using a felt-tip pen, mark the bumper around the outside of the template. Using a pushpin, pierce a hole through the bumper at each of the four marked positions on the template. Remove the template.
6. Turn the bumper over. While wearing eye protection, drill 20 mm holes through the bumper at the four marked locations.

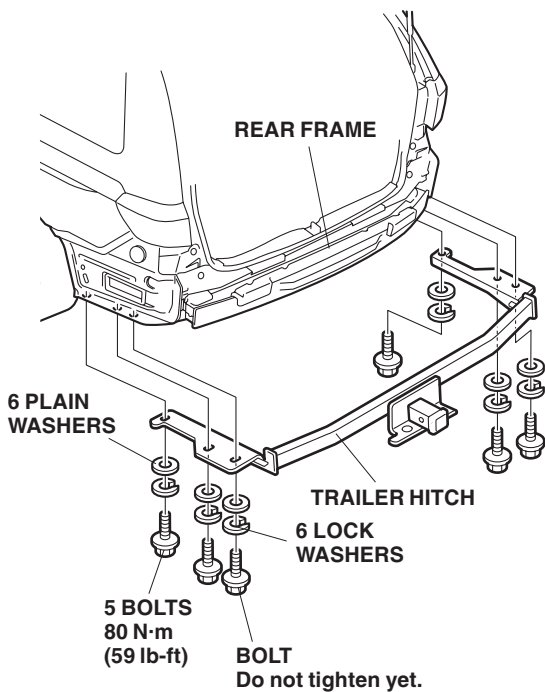


- Using a utility knife, cut along the marked area, and remove the center section of the bumper. Remove any burrs from the bumper with a file.



4227121B

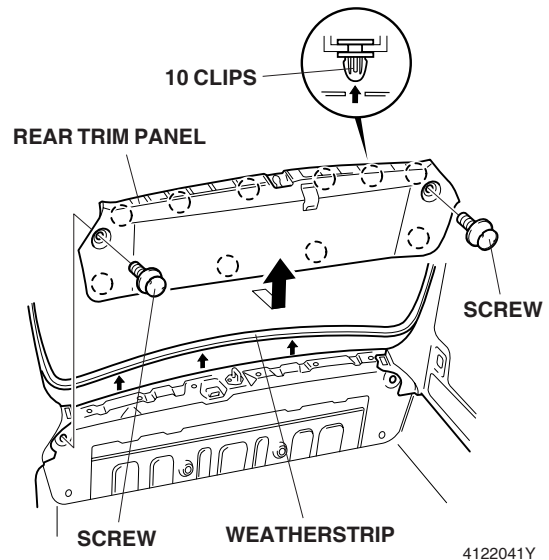
- Install the trailer hitch to the rear frame using the six 12 x 40 mm bolts, lock washers, and plain washers. Tighten the right side bolts first.



- Torque the five trailer hitch bolts to 80 N·m (59 lb-ft).

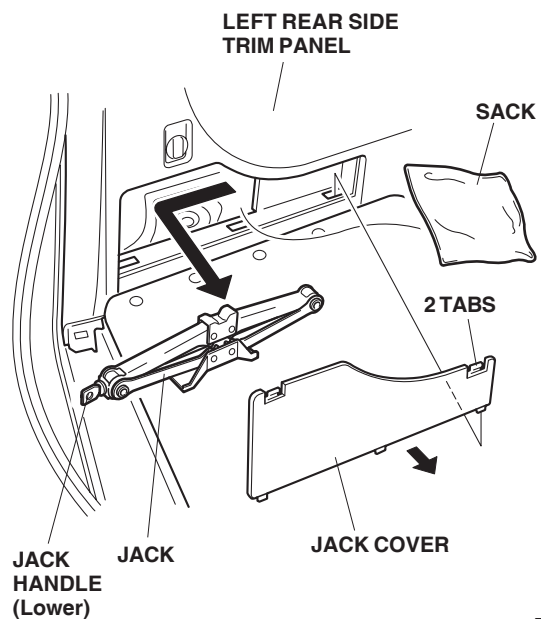
## Installing the Trailer Hitch Harness

- Pull out the weatherstrip at the rear trim panel. Remove the rear trim panel (two screws, and lift to release the 10 clips).



4122041Y

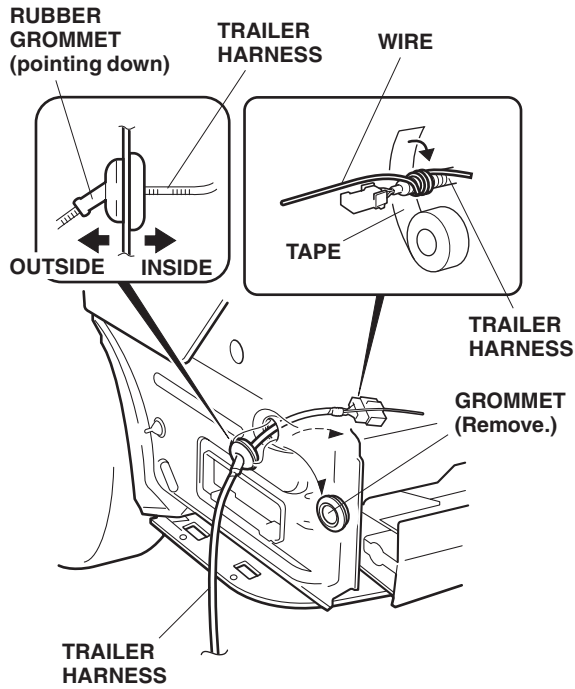
- Remove the jack cover (two tabs).



7424110B

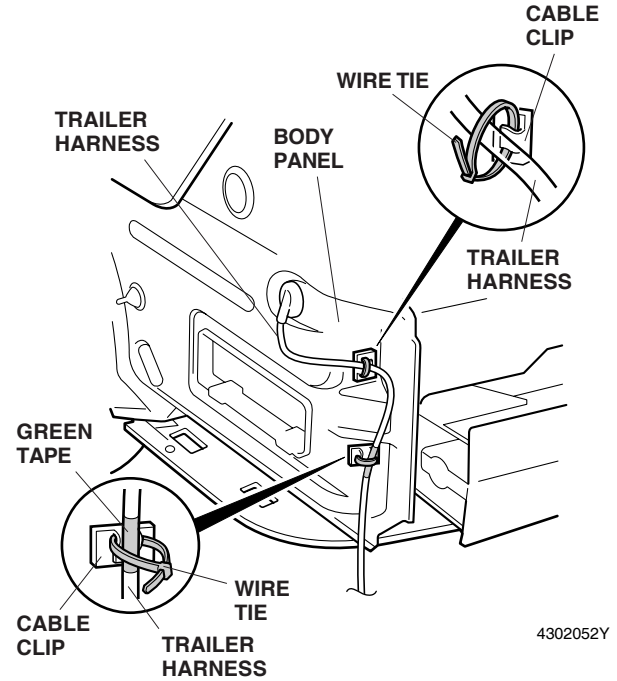
- Remove the sack and lower the jack handle. Remove the jack.

13. Locate and remove the one grommet from the left rear bumper area.



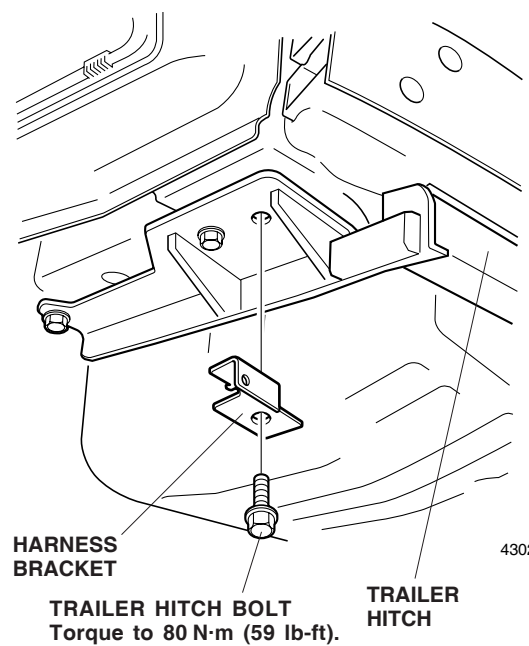
14. Tape the trailer harness to a piece of wire. Route the trailer harness into the cargo area, and seat the rubber grommet into the body panel with the harness pointing down.

15. Route the trailer harness along the body panel. Using isopropyl alcohol on a clean towel, clean the body panel where the cable clips will attach. Attach the cable clips to the body panel, and secure the harness at the green tape using two wire ties attached to the cable clips.



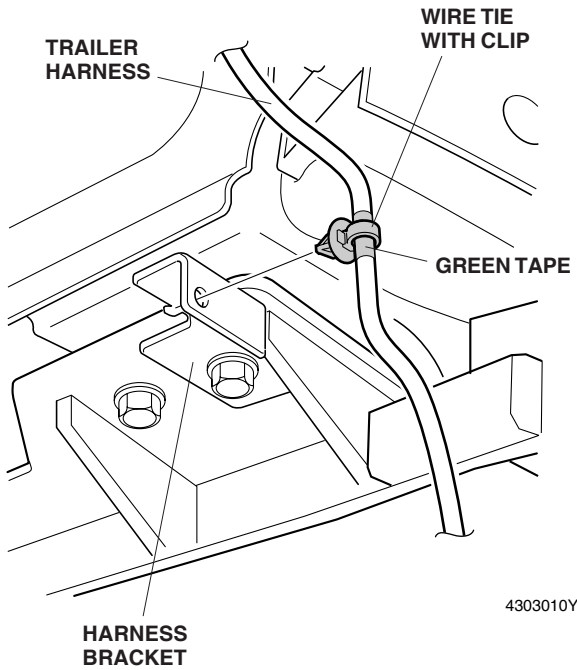
4302052Y

16. Under the left side of the vehicle, remove the rear trailer hitch bolt. Reinstall the trailer hitch bolt with the harness bracket attached. Torque the trailer hitch bolt to 80 N·m (59 lb-ft).

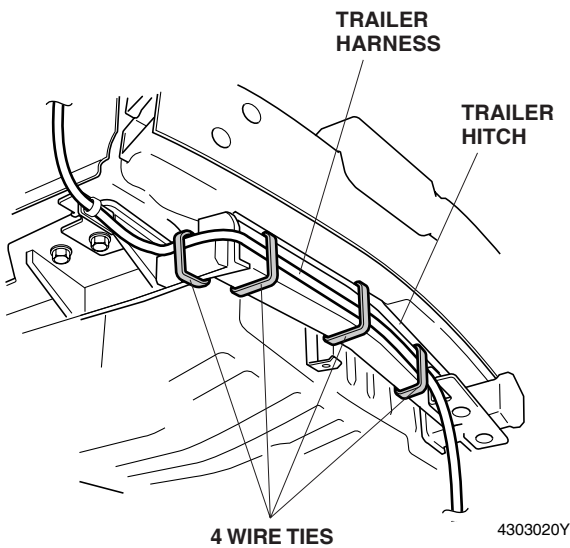


4302060Y

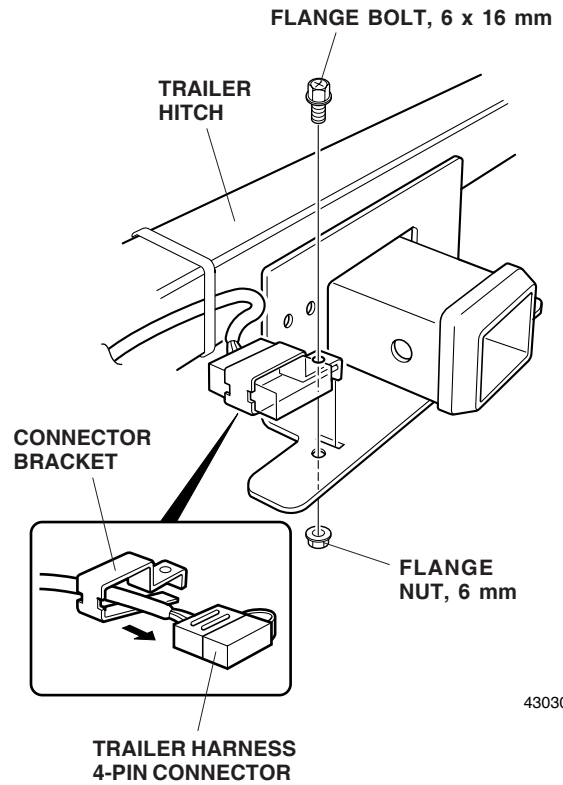
17. Attach one wire tie with clip to the trailer harness at the green tape, then insert the clip into the hole in the harness bracket.



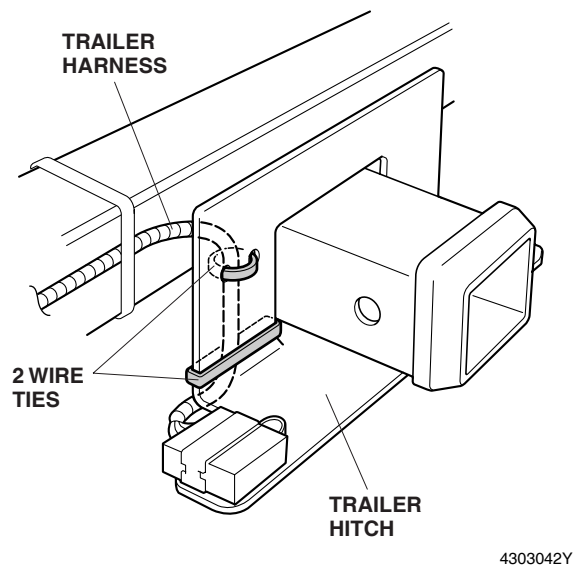
18. Secure the trailer harness to the trailer hitch with four wire ties.



19. Insert the trailer harness 4-pin connector into the connector bracket, then attach the connector bracket to the trailer hitch with the 6 x 16 mm flange bolt and flange nut.

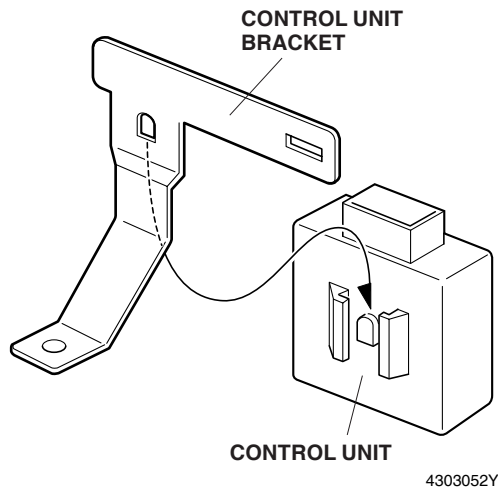


20. Secure the trailer harness to the trailer hitch with two wire ties.

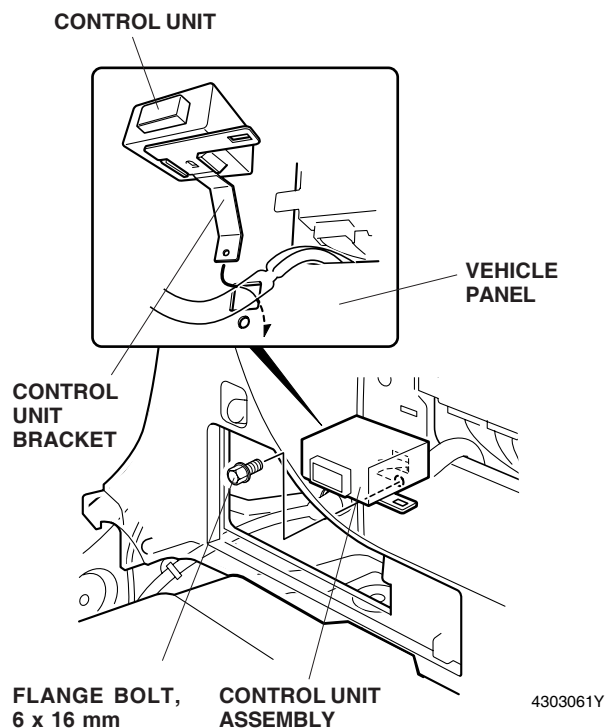


## Installing the Control Unit

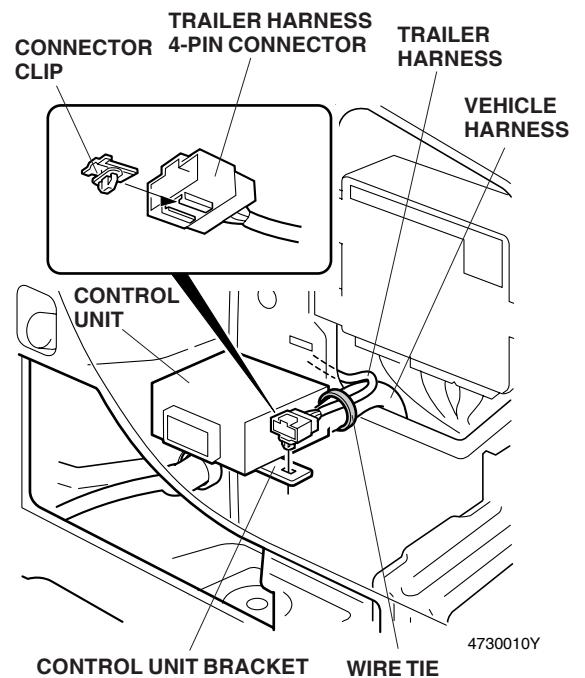
21. Attach the control unit to the control unit bracket.



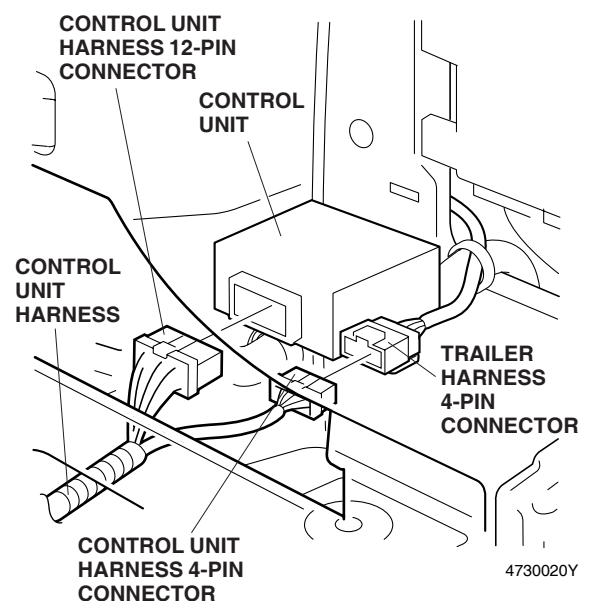
22. Inside the left rear cargo area, insert the control unit bracket through the square hole in the vehicle panel, and secure the control unit assembly with one 6 x 16 mm flange bolt.



23. Slide the connector clip into the slot on the trailer harness 4-pin connector, then attach the trailer harness 4-pin connector to the control unit bracket.

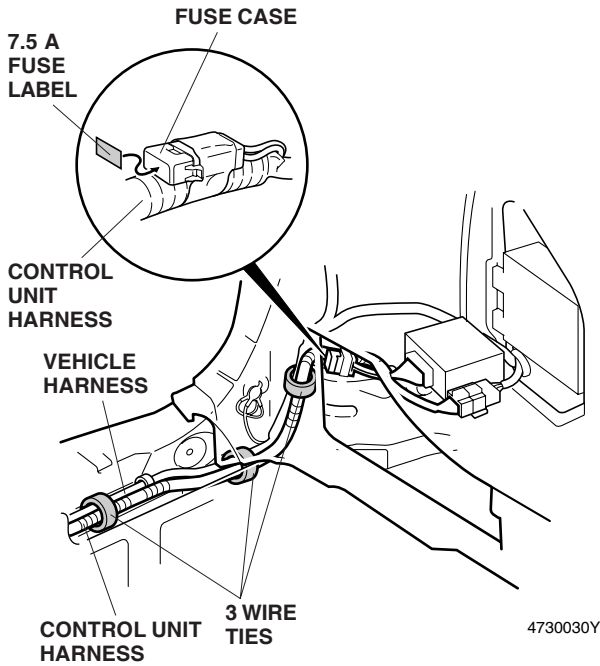


24. Secure the trailer harness with one wire tie to the vehicle harness.
25. Get the control unit harness. Plug the control unit harness 4-pin connector into the trailer harness 4-pin connector. Plug the control unit harness 12-pin connector into the trailer harness 12-pin connector.

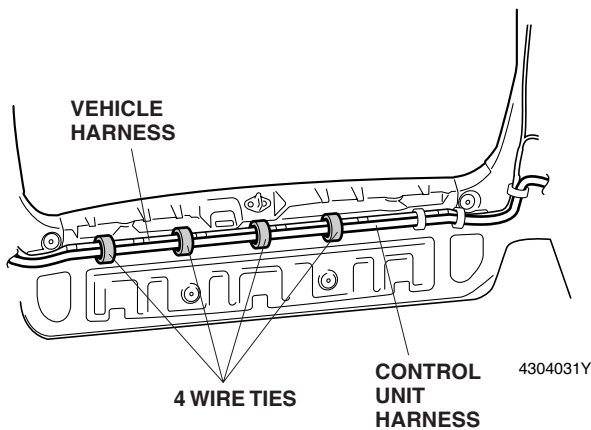




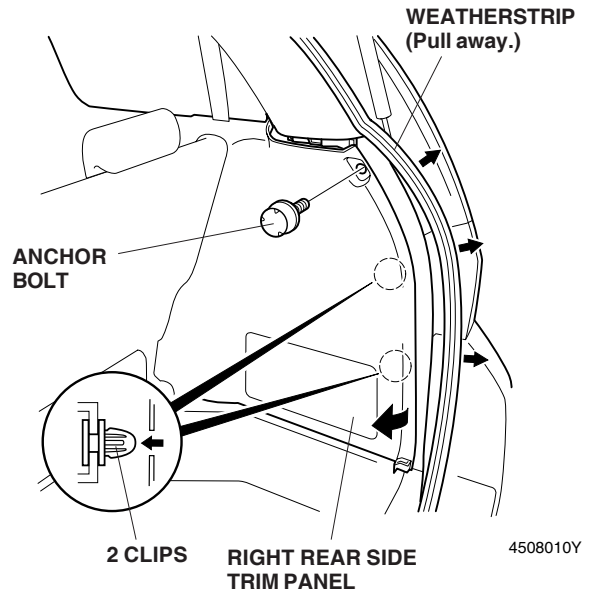
26. Attach a 7.5 A fuse label to the fuse case on the control unit harness.



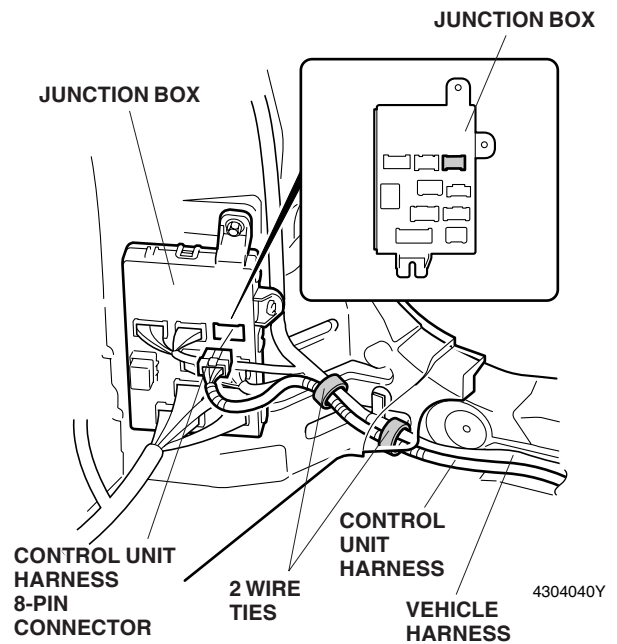
27. Route the control unit harness towards the right side of the vehicle, and secure the harness to the vehicle harness with three wire ties.
28. Continue routing the control unit harness along the rear of the vehicle and towards the right rear side trim panel. Secure the harness to the vehicle harness with an additional four wire ties.



29. Pull out the weatherstrip at the right rear side trim panel. Remove the anchor bolt near the top of the side panel, and gently pull out on the right rear side trim panel to release the two clips.



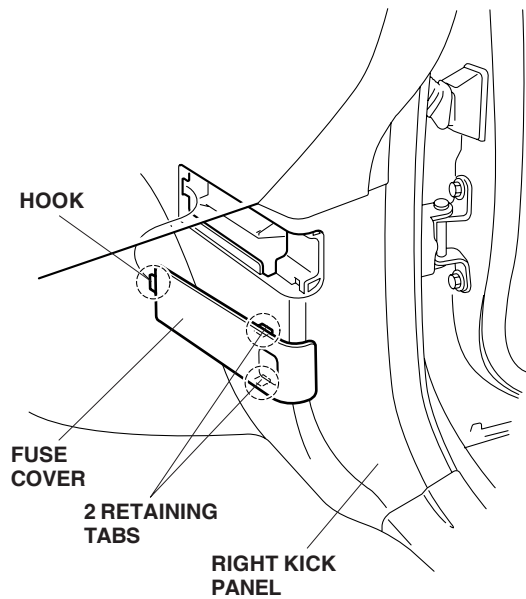
30. With an assistant gently pulling on the right rear side trim panel, plug the 8-pin control harness connector into the junction box. Secure the control unit harness to the vehicle harness with two wire ties.



31. Reattach the right rear side trim panel, and reinstall the anchor bolt.

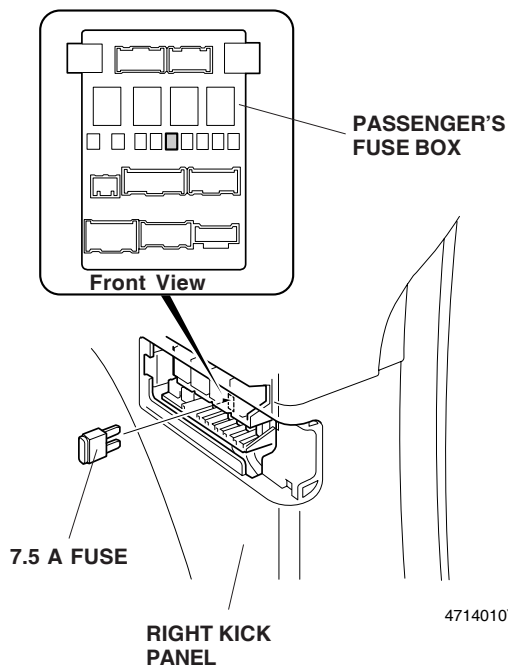


32. Remove the fuse cover from the right kick panel (two retaining tabs and one hook).



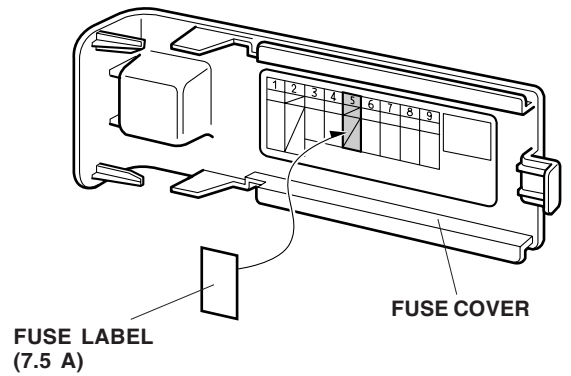
4628010Y

33. Install the 7.5 A fuse.



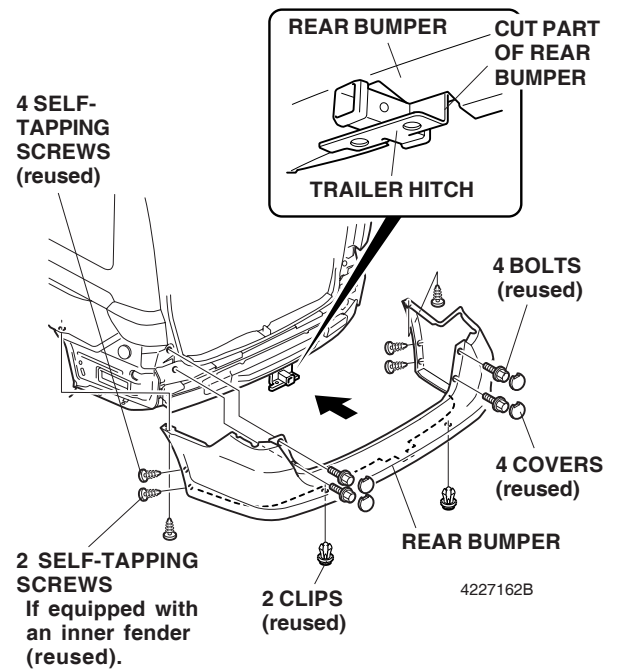
4714010Y

34. Attach a fuse label (7.5 A) to the fuse cover as shown.



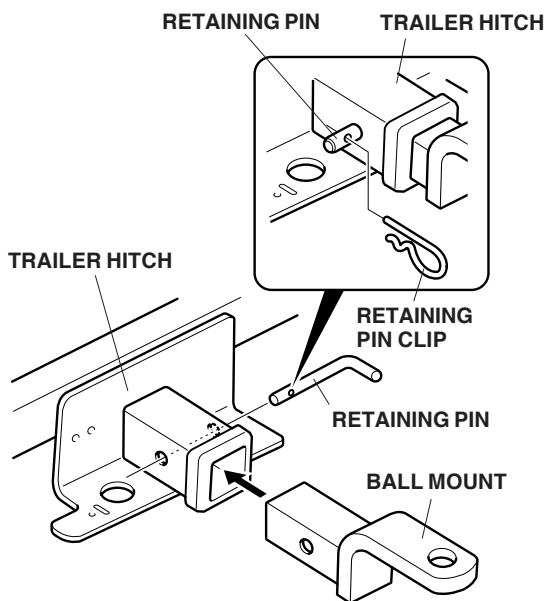
4714020Y

35. Reinstall the rear bumper.



4227162B

36. Slide the ball mount into the trailer hitch, and insert the retaining pin. Secure the retaining pin with the retaining clip.



4227151B

37. Check that all wire harnesses are routed properly and all connectors are plugged in.
38. Reconnect the negative cable to the battery.
39. Enter the customer's radio anti-theft code, and reset the radio station presets.
40. Reset the clock.
41. Reinstall all removed parts.

NOTE: When the battery is disconnected, the driver's window AUTO function is disabled.

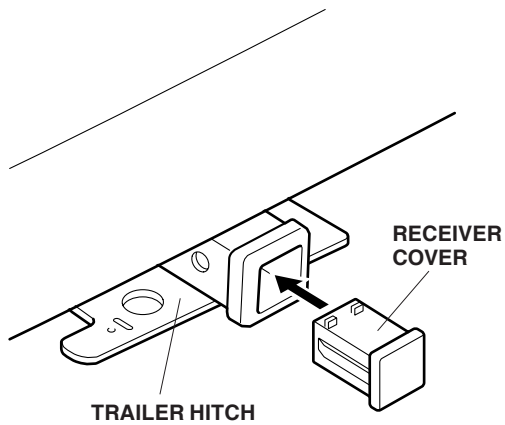
- Start the engine. Push down on the driver's window switch until the window is fully open.
- Pull up on the driver's window switch to close the window completely, then hold the switch for 1 second or more.
- Lower and raise the driver's window to check operation of the driver's window AUTO function.

NOTE: After about 620 miles (1,000 km) of use, retighten the bolts and nuts to the specified torque.

**Give a copy of this page to your customer.**

### Installing the Receiver Cover

Whenever you remove the hitch pin clip, the hitch pin, and the ball mount, store them securely in the cargo area. Install the receiver cover into the opening at the end of the trailer hitch. When you reinstall the ball mount, store the receiver cover in the cargo area. After the first 620 miles (1,000 km) of towing, have your Honda Dealer recheck the tightness of the trailer hitch bolts.



4227170B