

**INSTALLATION
INSTRUCTIONS**

Accessory

**EXHAUST PIPE FINISHER
P/N 08F53-SLN-100**

Application

2008 FIT

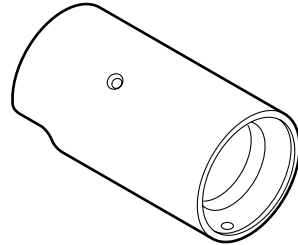
Publications No.

All 37453

Issue Date

JULY 2007**PARTS LIST**

Exhaust finisher



2 Flange bolts

**TOOLS REQUIRED**

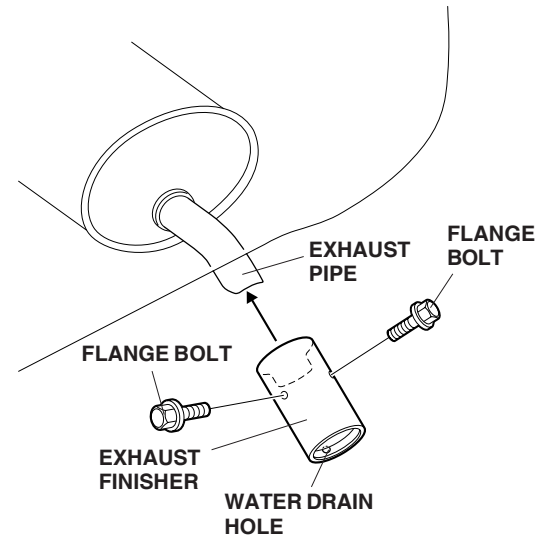
10 mm Socket

Torque wrench

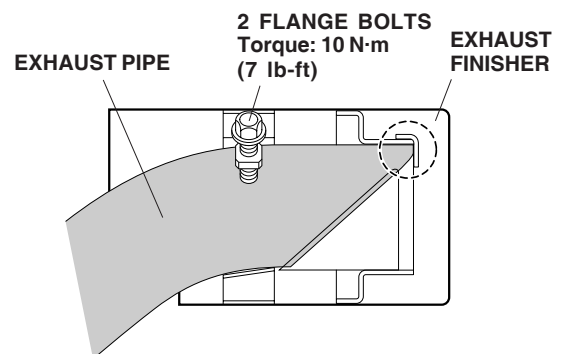
INSTALLATION**NOTE:**

- Allow the exhaust pipe to cool down before you install the exhaust finisher kit.
- Never use abrasive-type cleaners to clean the exhaust finisher, as they may damage the finisher.

1. Partially thread the two flange bolts into the exhaust finisher.



2. With the water drain hole facing down slide the exhaust finisher all the way onto the exhaust pipe.
3. Push the exhaust finisher firmly until it bottoms against the exhaust pipe, then torque the two flange bolts to 10 N·m (7 lb-ft.).



4. Start the engine, and rev it up a few times. Listen for vibration from the exhaust finisher, and adjust if necessary.