



# INSTALLATION INSTRUCTIONS

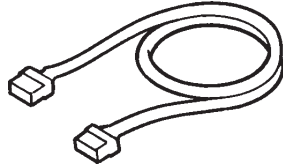
Accessory  
**CASSETTE/MP3 PLAYER  
IN-DASH CD CHANGER  
(LX)**

Application  
**2007 PILOT**

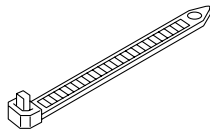
Publications No.  
**All 33055**  
Issue Date  
**JULY 2006**

## Player Attachment Kit (sold separately) : P/N 08B06-S9V-100A

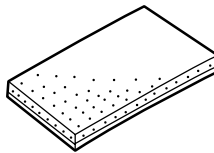
BUS cable



3 Wire ties

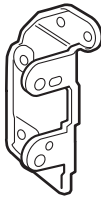


3 EPT sealers

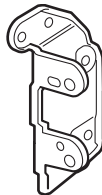


## DIN Bezel Kit (sold separately) : P/N 08B23-S9V-100C

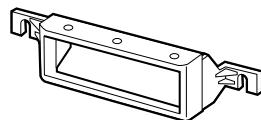
Left player bracket



Right player bracket

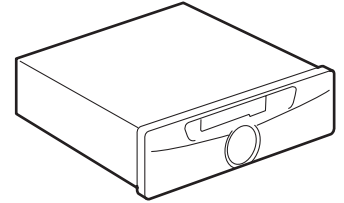


DIN bezel



## Cassette Player (sold separately) : P/N 08A03-5E1-001

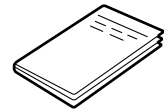
Cassette player



4 Washer-screws, 5 x 8 mm

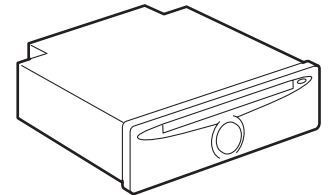


Owner's manual



## MP3 Player (sold separately) : P/N 08A06-4E1-201

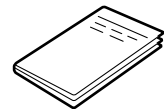
MP3 player



4 Washer-bolts, 5 x 8 mm

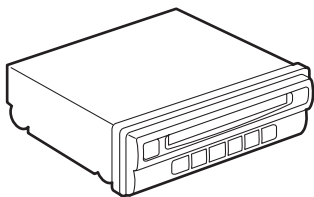


Accessory user's information  
manual



**In-dash CD Changer (sold separately) :**  
**P/N 08A06-3E1-300**

In-dash CD changer



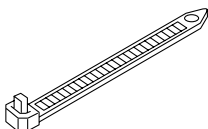
6 Washer-screws, 5 x 8 mm



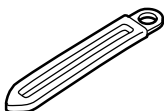
Washer-screw, 4 x 6 mm



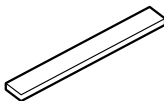
Wire tie



Harness clip



Seat



Owner's manual



**TOOLS AND SUPPLIES REQUIRED**

Phillips screwdriver

Flat-tip screwdriver

10 mm Combination wrench

Ratchet

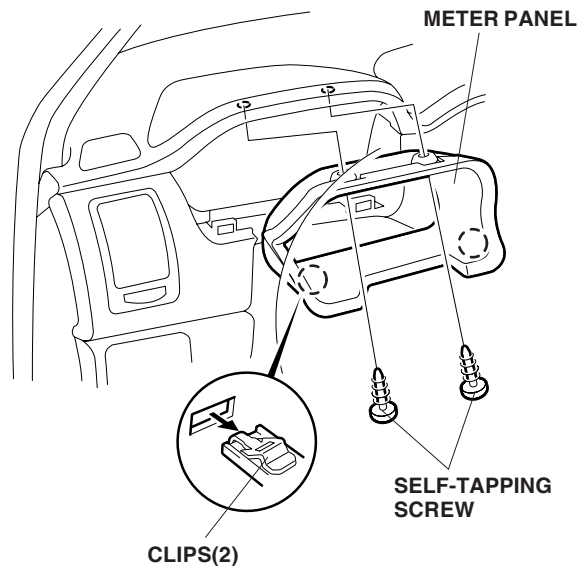
10 mm Socket

**INSTALLATION**

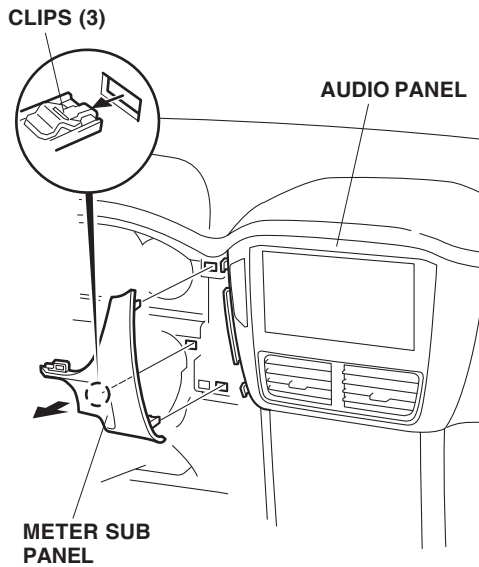
**Customer Information:** The information in this installation instruction is intended for use only by skilled technicians who have the proper tools, equipment, and training to correctly and safely add equipment to your vehicle. These procedures should not be attempted by "do-it-yourselfers".

**NOTE:**

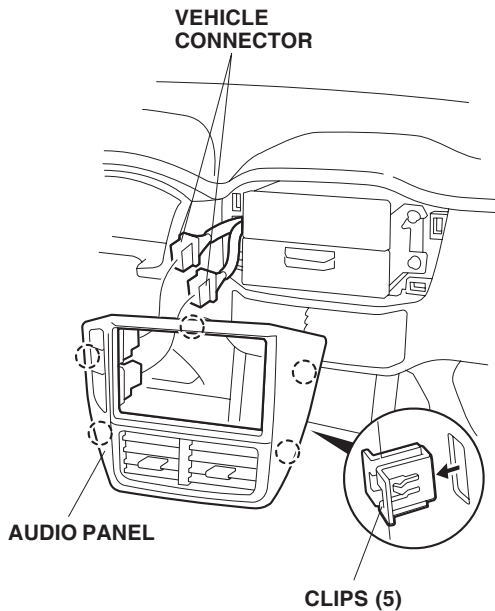
- The In-dash CD changer **must** be installed below the audio unit.
  - An additional bus cable is required when installing multiple players.
  - Two units of the player attachment kit are necessary to install two units of the player.
1. Make sure you have the anti-theft code for the radio, then write down the frequencies for the preset buttons.
  2. Disconnect the negative cable from the battery.
  3. Remove the meter panel (two self-tapping screws and two clips).



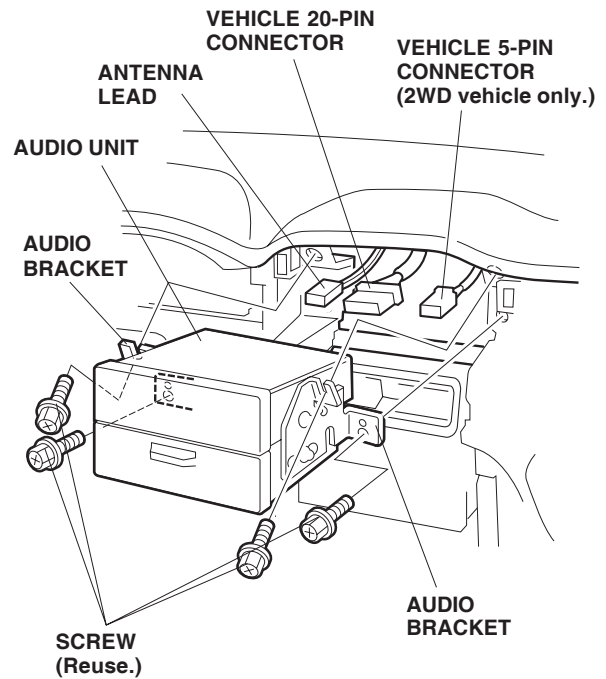
- Remove the meter sub panel (three clips).



- Gently pull out on the left side of the audio panel to release the two clips, then pull out to release the remaining three clips. Unplug the vehicle connectors and remove the audio panel.

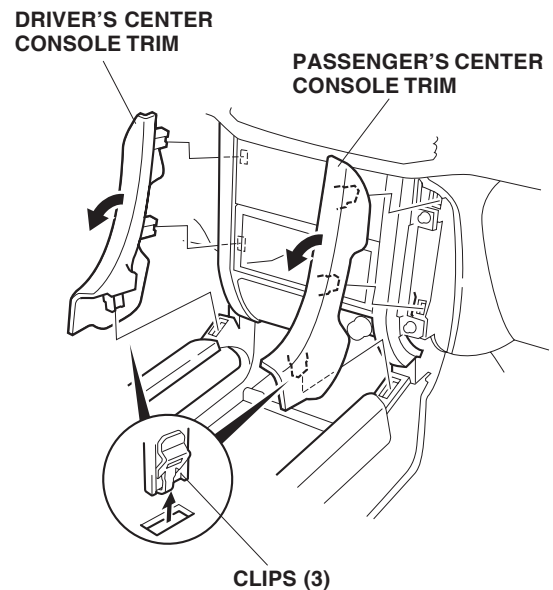


- Remove the audio unit (four screws, pull the audio unit out toward you, unplug the vehicle connectors and antenna lead).

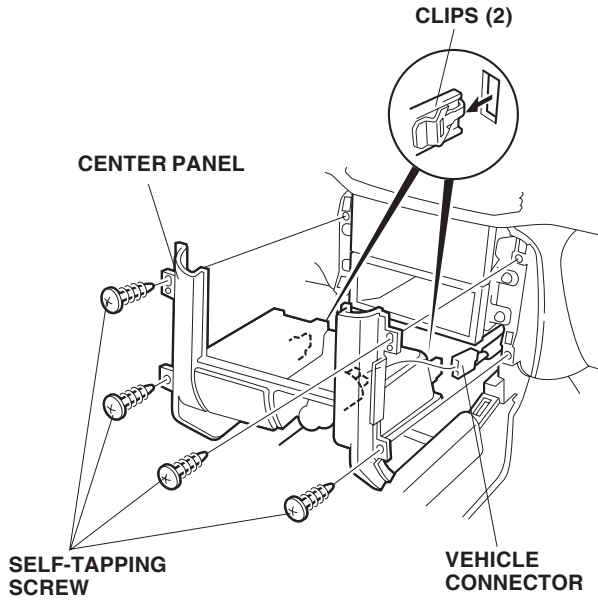


If you are **only** installing one player (cassette, MP3 or In-dash CD changer), go to step 24. If you are installing two players (cassette, MP3 or In-dash CD changer), continue with step 7.

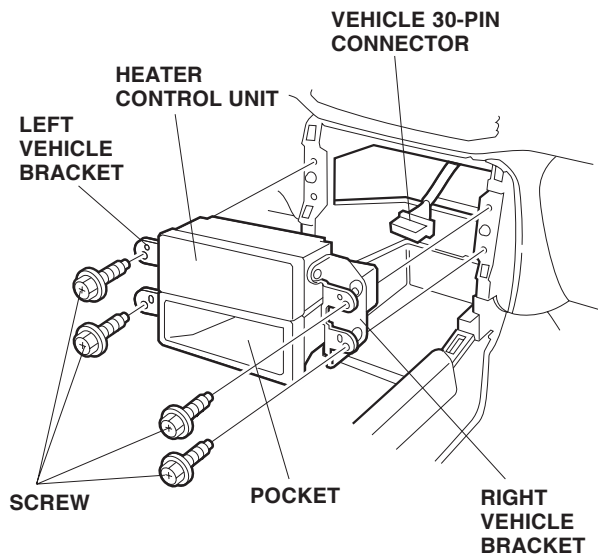
- Remove the driver's and passenger's center console trim pieces (three clips each). Take care not to damage the clips.



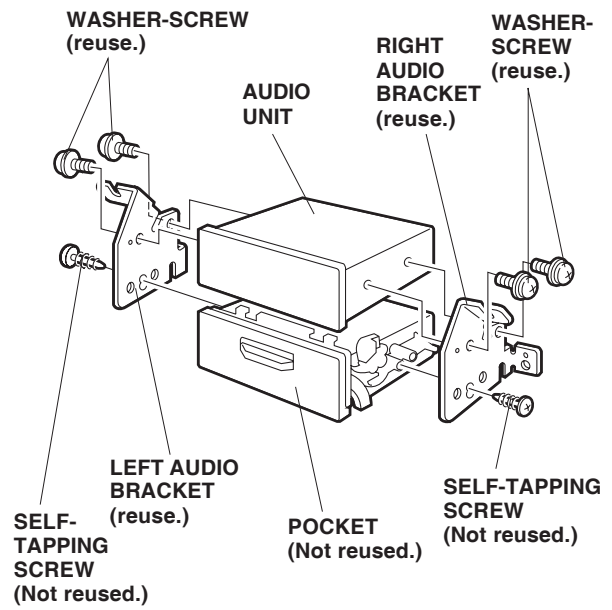
- Remove four self-tapping screws that fasten the center panel.



- Pull the center panel out toward you to release the two clips. Unplug the vehicle connector from the accessory socket, and remove the center panel.
- Remove four screws that fasten the left and right vehicle brackets. Pull the heater control unit and pocket out toward you, and unplug the vehicle connectors.

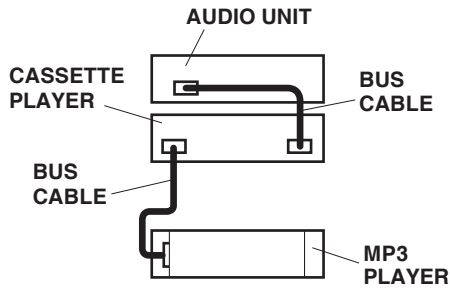


- Remove the left and right audio brackets (two washer-screws and self-tapping screws for each bracket). Separate the audio unit and pocket. Set the pocket aside, it will not be reused.

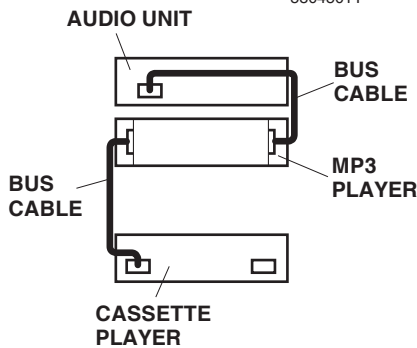


**ILLUSTRATION OF THE COMPONENTS ON THE CAR**

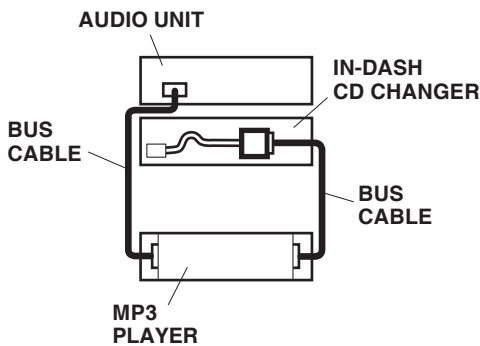
**With cassette and MP3 Player:**



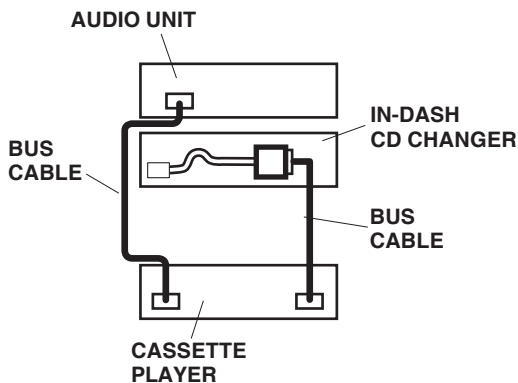
5804501Y



**With In-dash CD changer:**

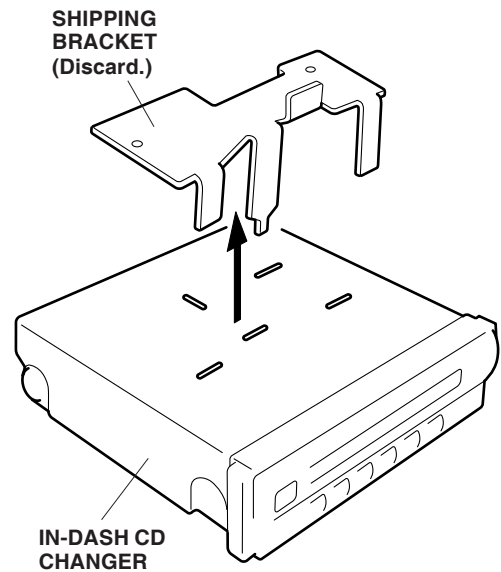


5804530Y

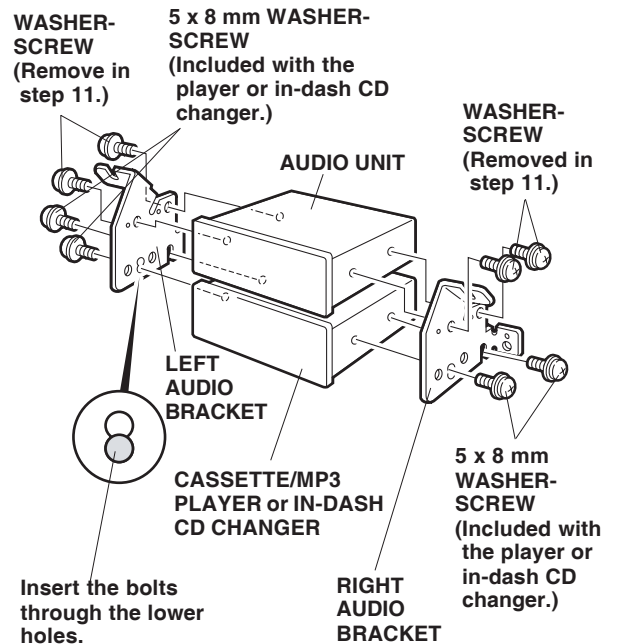


12. If you are installing an *in-dash CD changer*, remove the shipping bracket.

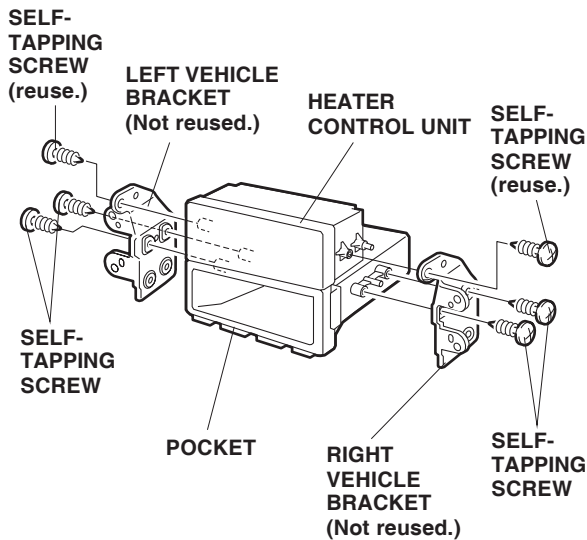
NOTE: The in-dash CD changer **must** be installed below the audio unit when installing multiple players.



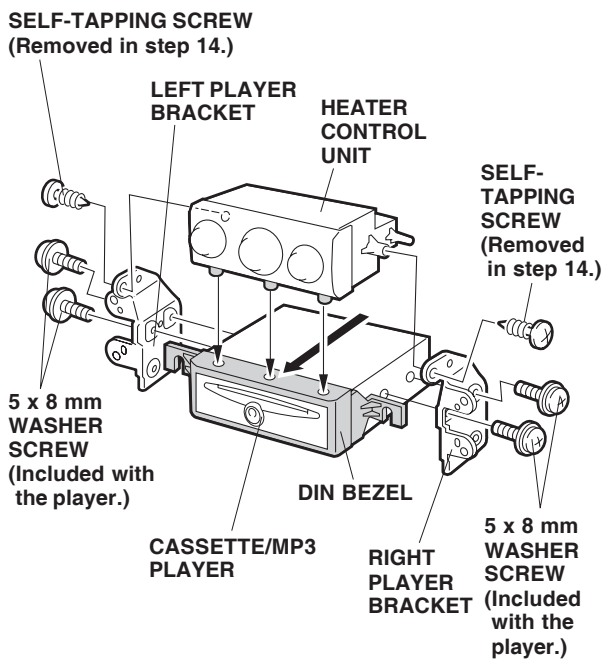
13. Place the cassette/MP3 player or in-dash CD Changer under the audio unit, and attach the left and right audio unit brackets to the player and the audio unit using the four washer-screws removed in step 11, and the four 5 x 8 mm washer-screws included with the cassette/MP3 player or in-dash CD Changer.



14. Remove the left and right vehicle brackets (six self-tapping screws), separate the heater control unit from pocket. Set the pocket aside, it will not be reused.



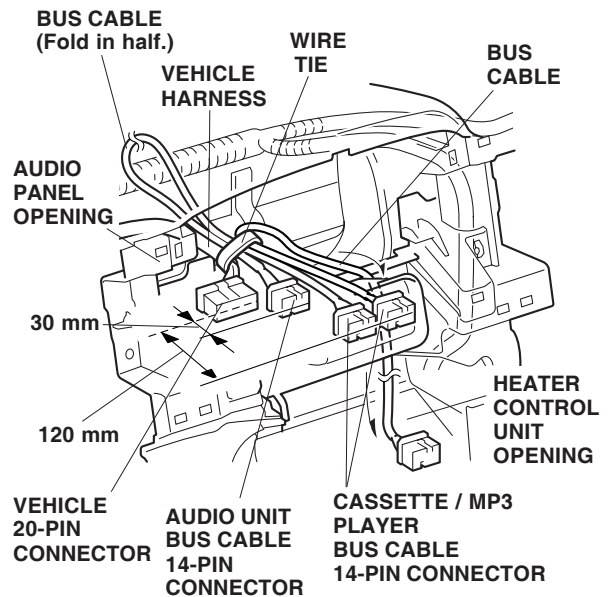
15. Install the DIN bezel to the cassette/MP3 player. Set the heater control unit on the cassette/MP3 player, and attach the left and right player brackets to the cassette/MP3 player and the heater control unit using the two self-tapping screws removed in step 14 and four 5 x 8 mm washer-screws included with the cassette/MP3 player.



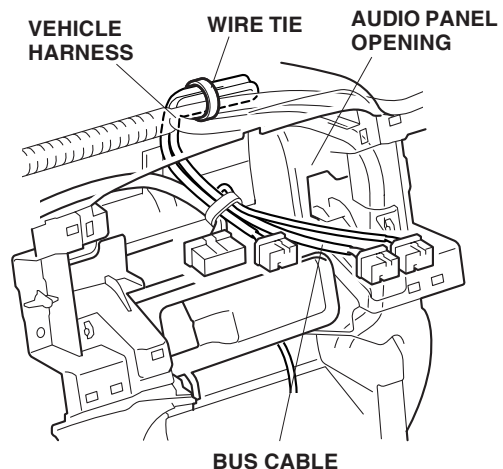
16. Install the bus cable:

#### With Cassette and MP3 Player:

- Route an additional bus cable from the audio unit opening to the heater control unit opening.
- Fold the bus cable in half, and secure it to the vehicle 20-pin connector harness with one bus cable end 30 mm from the 20-pin connector, and the other bus cable end 120 mm from the 20-pin connector.

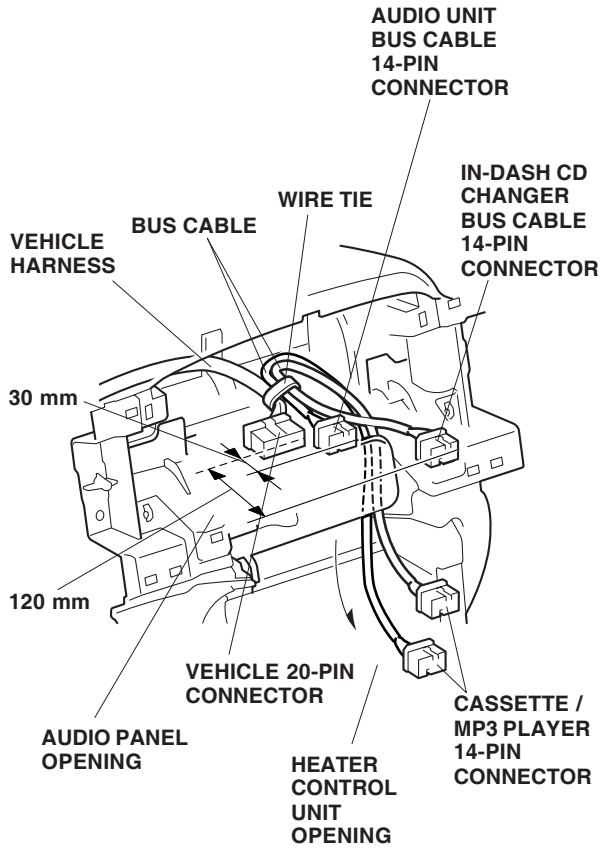


- Bundle up the excess bus cable you folded in half and secure it to the vehicle harness with one wire tie.



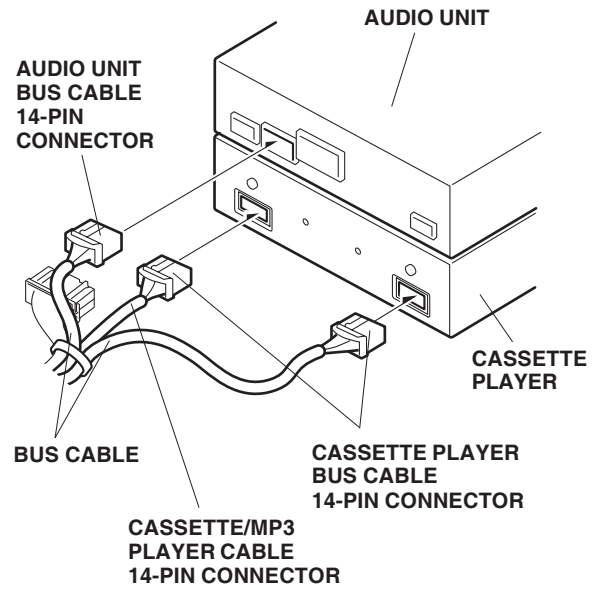
**With In-dash CD Changer:**

- Route the two bus cables from the audio panel opening to the heater control unit opening.
- Using one wire tie, secure the two bus cables to the vehicle harness with one bus cable end 30 mm from the 20-pin connector, and the other bus cable end 120 mm from the 20-pin connector.

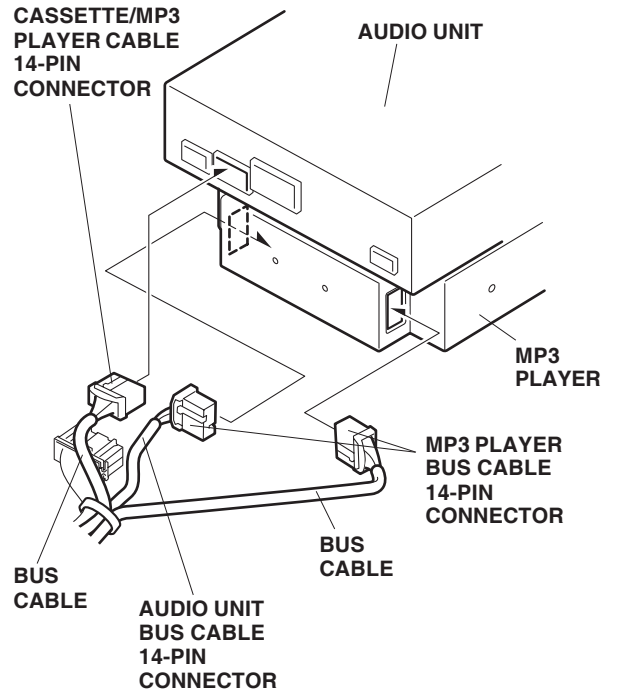


17. Plus the bus cable 14-pin connectors into the audio unit and cassette/MP3 player or in-dash CD-changer.

**Cassette Player with MP3 Player**

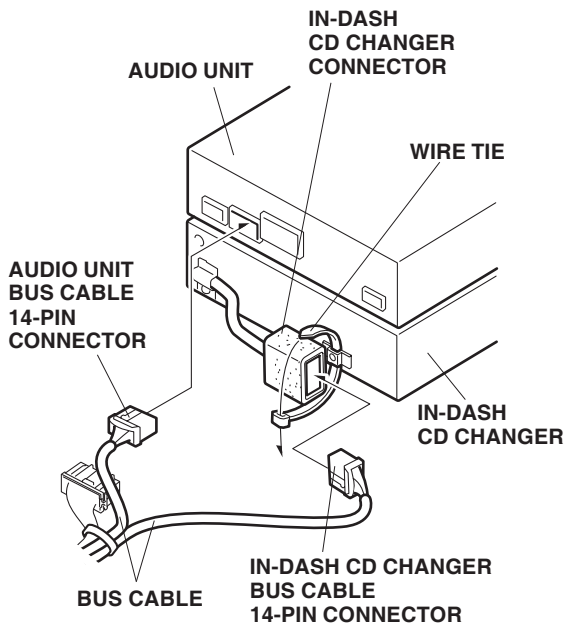


**MP3 player with Cassette player**

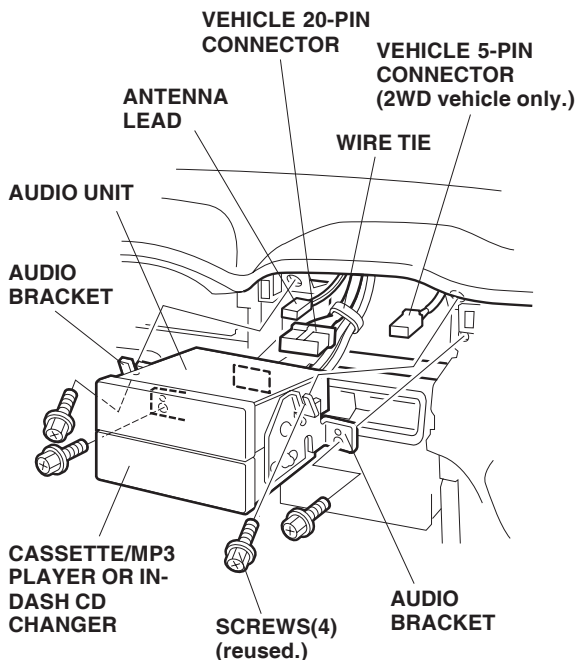


### In-dash CD changer with Cassette/MP3 player

After connecting, secure the connectors to the rear of the in-dash CD changer with one wire tie from in the in-dash CD changer kit.

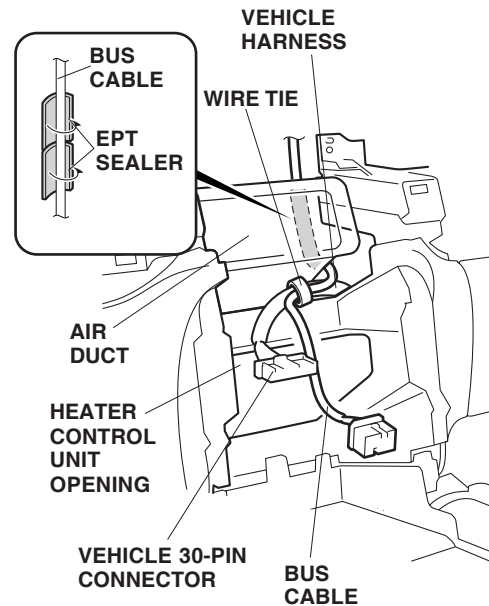


18. Connect the vehicle connectors and antenna lead to the audio unit. Insert the audio unit assembly into the audio panel opening and reinstall it with the four screws that you removed in step 6.

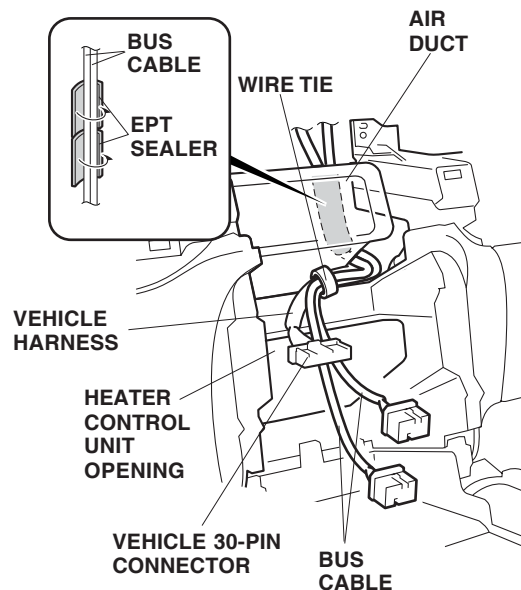


19. At the heater control opening, attach two EPT sealers to the bus cable at the location shown.

### With Cassette and MP3 Player:



### With In-dash CD Changer:



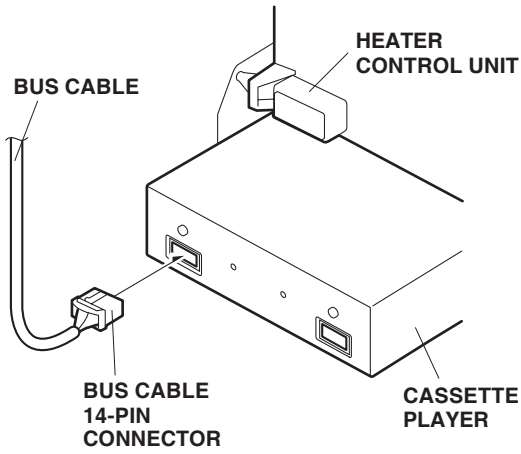
20. Secure the bus cable to the vehicle harness using one wire tie.



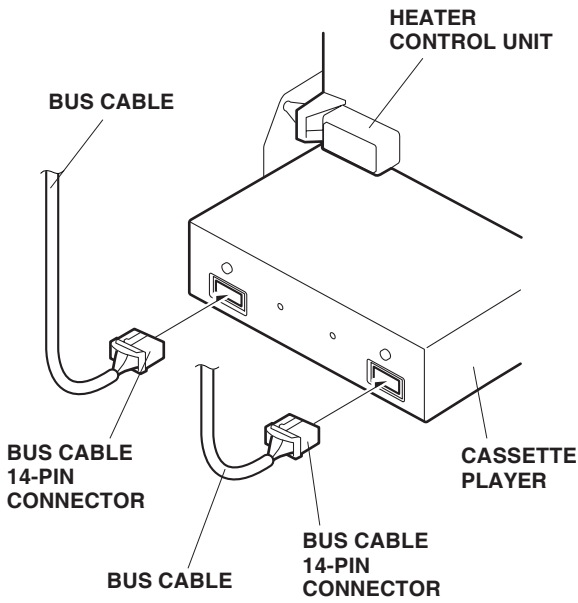
21. Connect the bus cable 14-pin connector to the player as shown.

**Cassette Player**

**With Cassette and MP3 Player:**

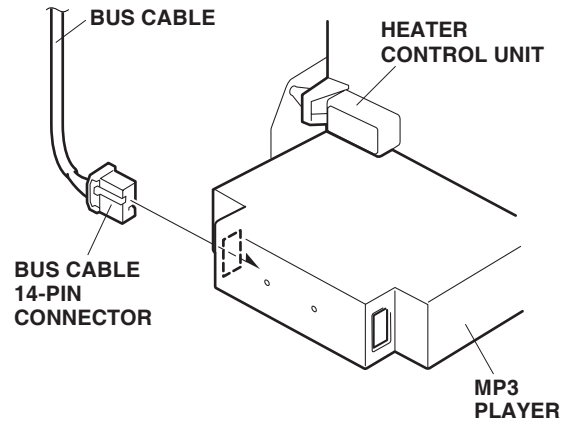


**With In-dash CD Changer:**

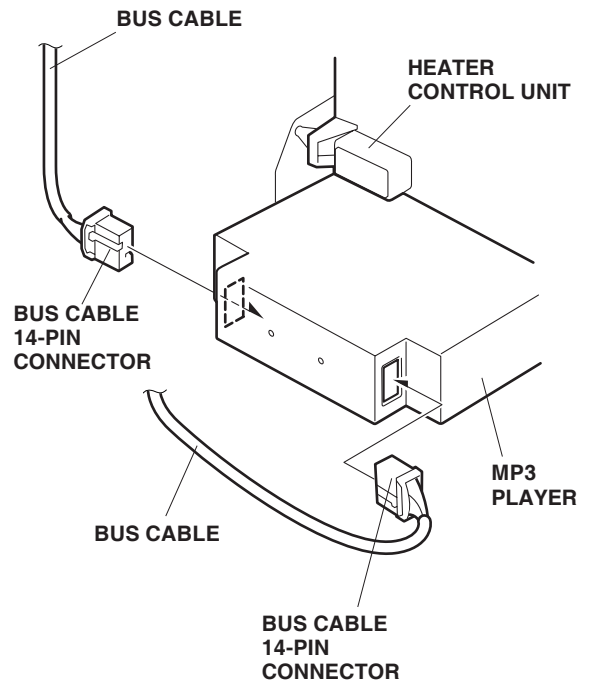


**MP3 Player**

**With Cassette and MP3 Player:**

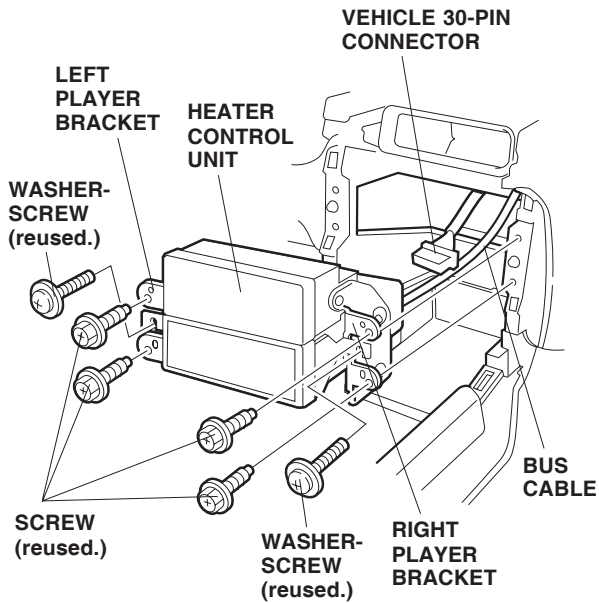


**With In-dash CD Changer:**

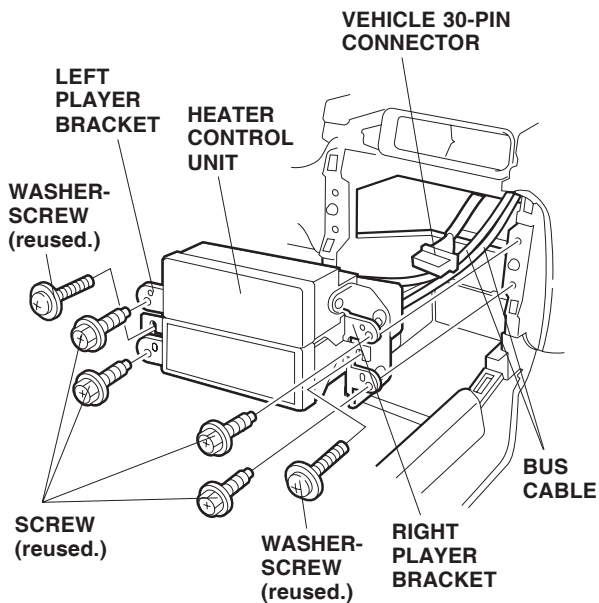


22. Remove the two washer-screws from the dashboard.

**With Cassette and MP3 Player:**



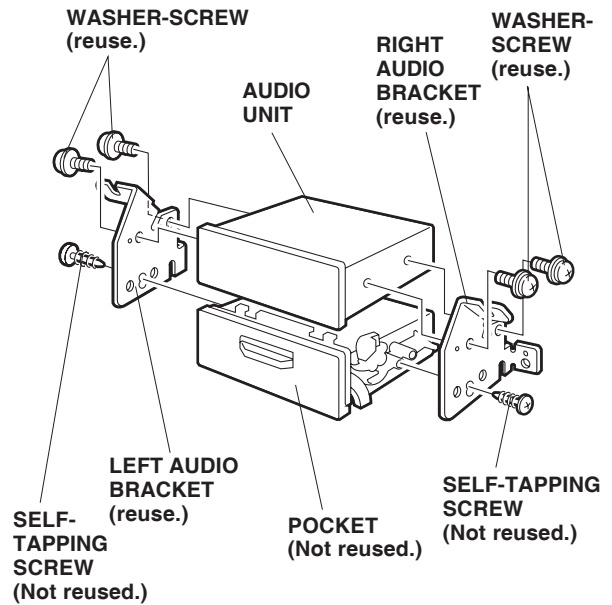
**With In-dash CD Changer:**



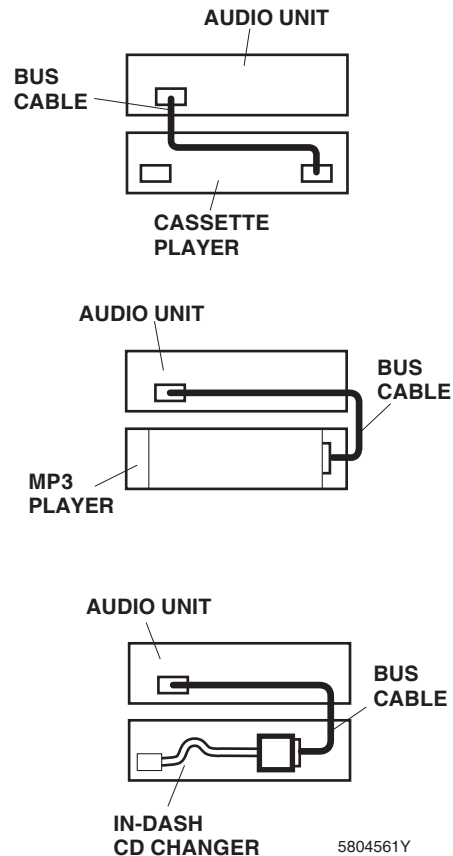
23. Connect the vehicle connectors to the heater control unit, and reinstall the heater control unit using the four screws that you removed in step 10. Go to step 31.

**Installing One Player Below the Audio Unit**

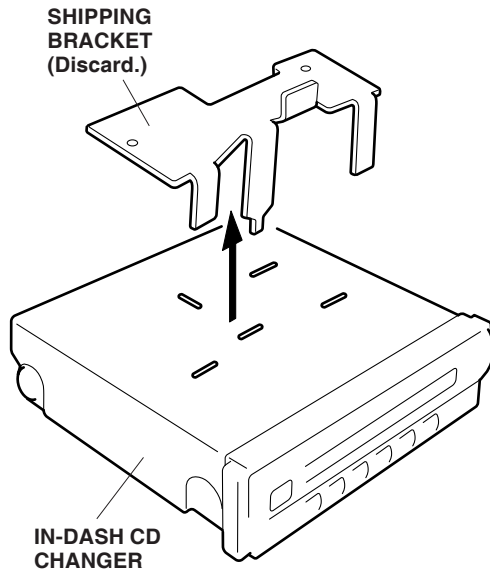
24. Remove the left and right audio brackets (two washer-screws and self-tapping screw for each bracket). Separate the audio unit and pocket. Set the pocket aside, it will not be reused.



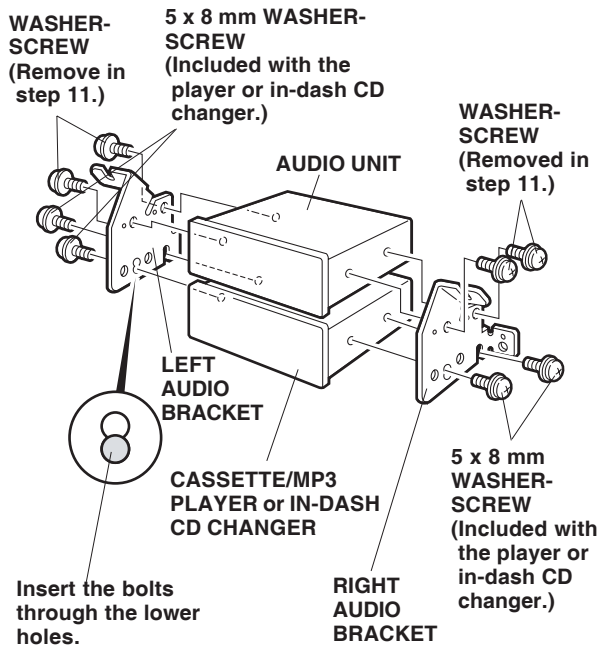
**ILLUSTRATION OF THE COMPONENTS ON THE CAR**



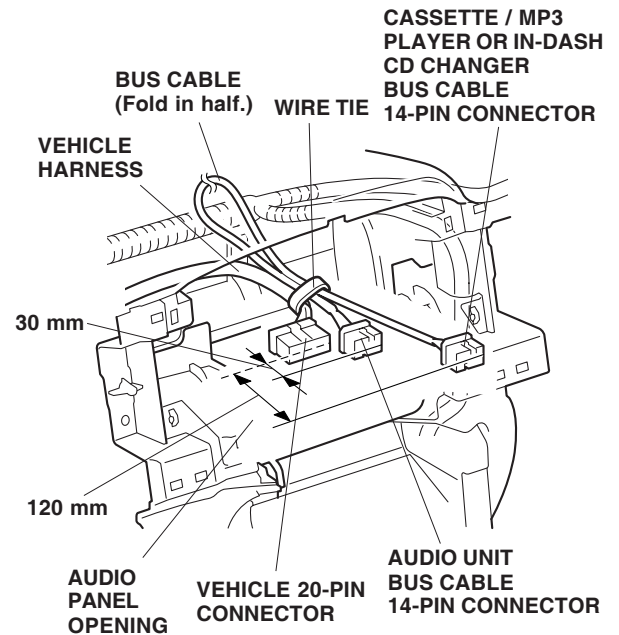
25. If you are installing an *in-dash CD changer*, remove the shipping bracket.



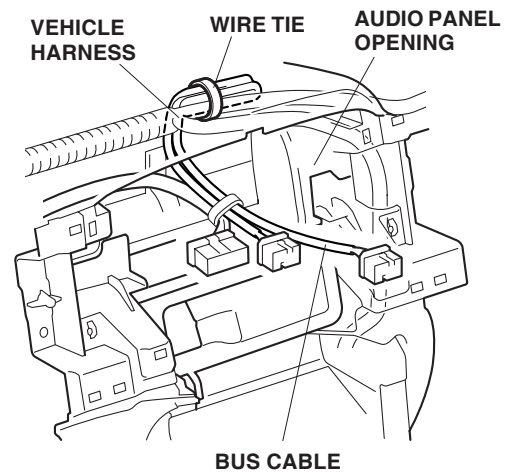
26. Place the cassette/MP3 player or in-dash CD changer under the audio unit, and attach the left and right audio unit brackets to the player and the audio unit using the four washer-screws removed in step 11, and the four 5 x 8 mm washer-screws included the cassette/MP3 player or in-dash CD changer.



27. Fold one bus cable in half, and secure it to the vehicle 20-pin connector harness with one bus cable end 30 mm from the 20-pin connector, and the other bus cable end 120 mm from the 20-pin connector.

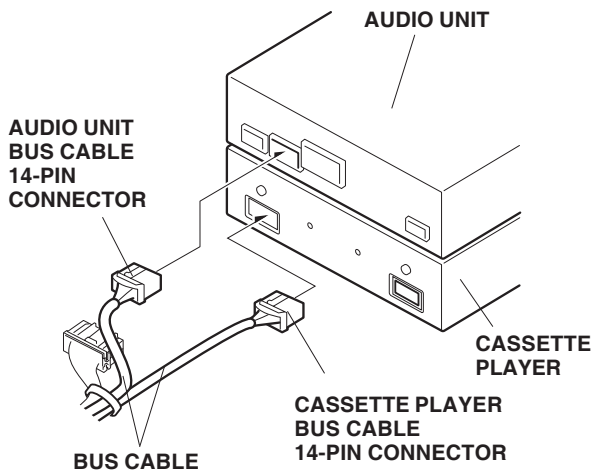


28. Bundle up the excess bus cable you folded in half and secure it to the vehicle harness with one wire tie.

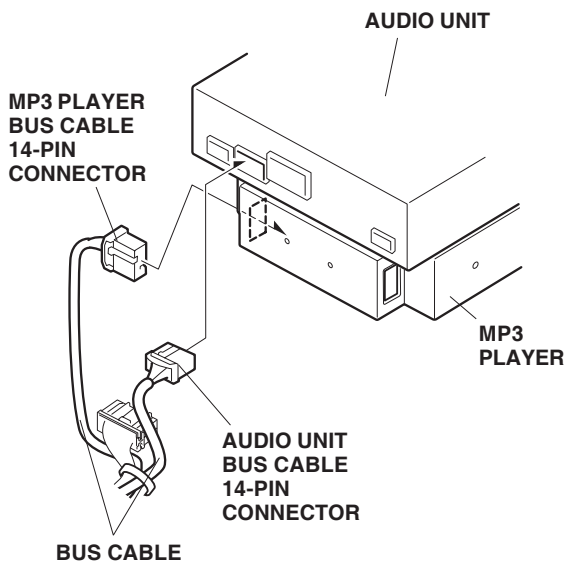


29. Plus the two bus cable 14-pin connectors into the audio unit and cassette/MP3 player or in-dash CD changer .

**Cassette Player:**

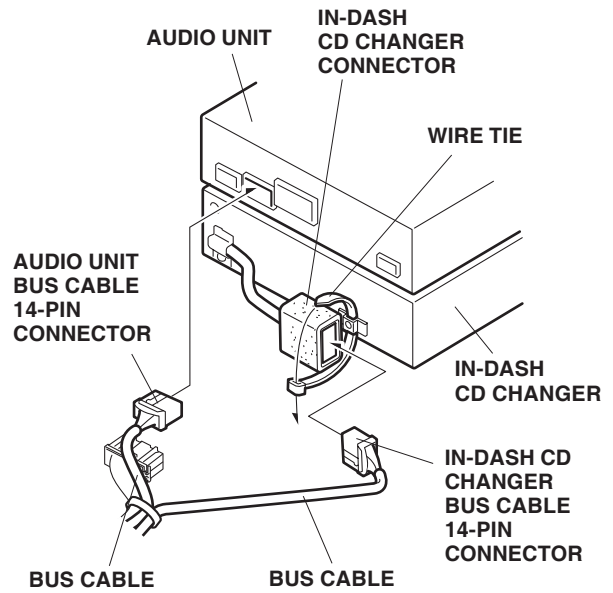


**MP3 Player:**

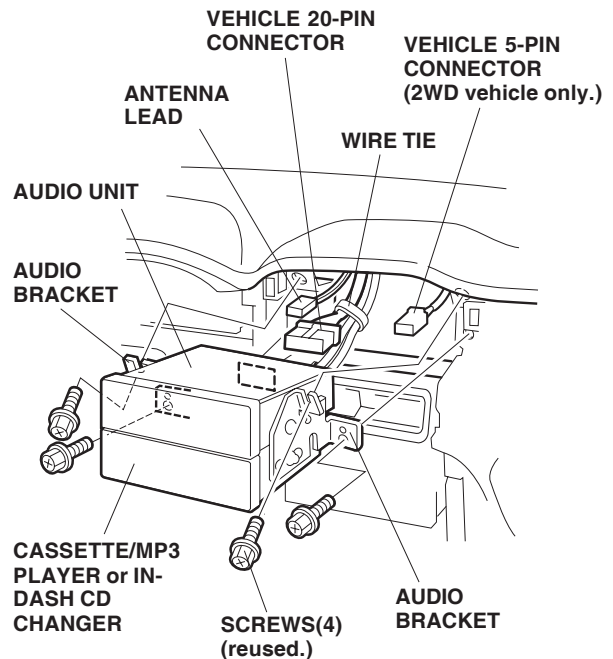


**In-dash CD Changer:**

Secure the connectors to the rear of the in-dash CD changer with one wire tie from in the in-dash CD changer kit.



30. Connect the vehicle connectors and antenna lead to the audio unit. Insert the audio unit assembly into the audio panel opening and reinstall it with the four screws that you removed in step 6.



31. Check that all wire harnesses are routed properly and all connectors are plugged in.
32. Reconnect the negative cable to the battery.
33. Enter the customer's radio anti-theft code, and reset the radio station presets.
34. Set the clock.
35. Check the operation of the player according to the owner's manual supplied.
36. Put the player owner's manual in the glove box.
37. Reinstall all removed parts.

NOTE : Whenever the battery is disconnected, the driver's AUTO function is disabled.

38. Start the engine. Push down on the driver's window switch until the window is fully open.
39. Pull up on the driver's window switch to close the window completely, then hold the switch for 2 seconds or more.
40. Test the AUTO window function.