



# INSTALLATION INSTRUCTIONS

Accessory

**CARGO NET (BED)**  
P/N 08L96-SJC-100A

Application

**2006 RIDGELINE**

Publications No.

**All 28595**

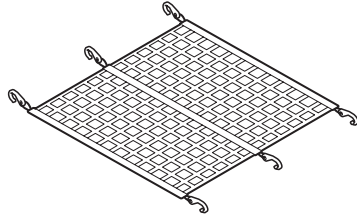
Issue Date

**FEB 2005**

Put this information in the glove box with the vehicle owner's manual.

## PARTS LIST

Cargo net



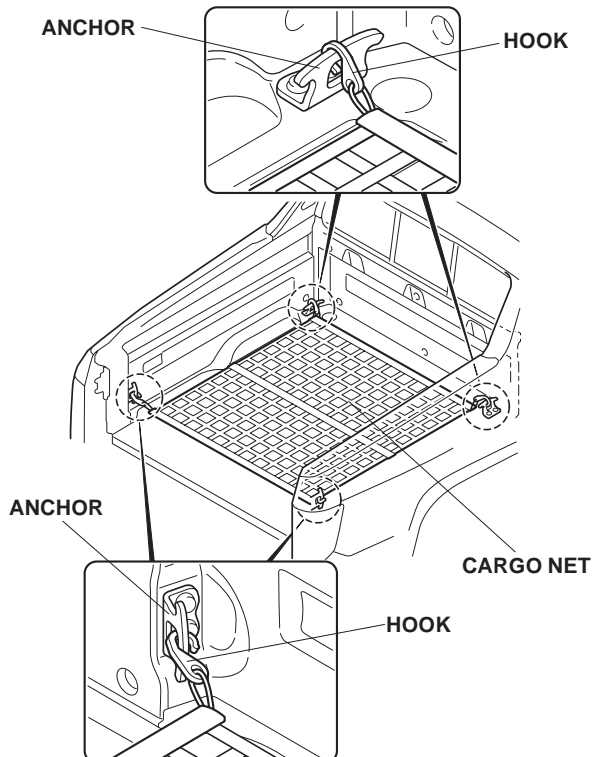
## INSTALLATION

### NOTE:

- Some luggage stored in the cargo net may interfere with the tailgate when it is closed. To prevent damage to the cargo net, do not store large or fragile articles in the cargo net.
- Before storing articles that have sharp edges or corners, wrap them with paper or in a blanket so their sharp edges or corners will not contact the cargo net directly.

### Installing the Cargo Net in the Horizontal Position:

- Attach four hooks from the cargo net to the vehicle anchors in the bed.



### Installing the Cargo Net in the Vertical Position:

- Fold the cargo net in half, and attach four hooks from the cargo net to the four front vehicle anchors in the bed.

